



## Plastic angle bracket for vertical installation



Powering Business Worldwide™

**Part no.** SL7/4-FW  
**Article no.** 171446  
**Catalog No.** SL7/4-FW

### Delivery programme

Product range			SL7 signal towers SL4 signal towers
Basic function			Accessories
Basic function accessories			Mounting brackets
Mounting type			for vertical mounting
Material			Plastic
			Fixing screws included as standard
For use with			SL4-PIB... SL4-FMS... SL7-CB... SL7-FMS...
Connection to SmartWire-DT			no

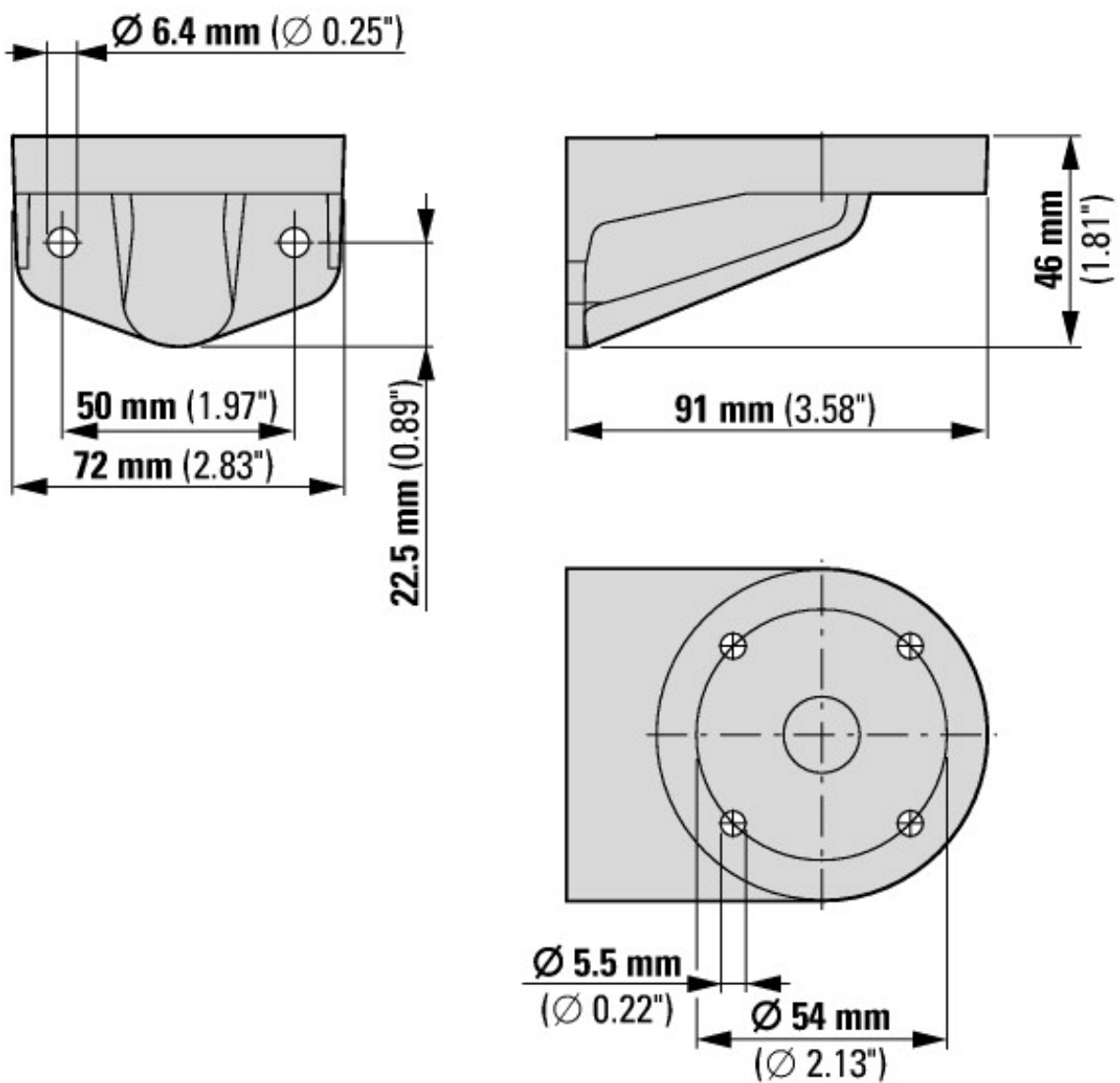
### Approvals

Product Standards	IEC/EN 60947-5-1; UL 508; CSA-C22.2 No. 14-10; CSA-C22.2 No. 94-91; CE marking
UL File No.	E29184
UL Category Control No.	NKCR
CSA File No.	UL report applies to both US and Canada
CSA Class No.	NKCR7
North America Certification	UL listed, certified by UL for use in Canada
Degree of Protection	UL Type 4, 4X, 13

### Technical data ETIM 5.0

Low-voltage industrial components (EG000017) / Wall bracket for signal tower (EC001153)			
Electric engineering, automation, process control engineering / Low-voltage switch technology / Command and alarm device / Signal column element, attaching bracket (ecl@ss8-27-37-12-33 [AKFD51010])			
Mounting method			Wall mounting
Colour			Black

### Dimensions



#### Additional product information (links)

IL047006ZU SL4/7 Accessories

IL047006ZU SL4/7 Accessories

[ftp://ftp.moeller.net/DOCUMENTATION/AWA\\_INSTRUCTIONS/IL047006ZU2013\\_02.pdf](ftp://ftp.moeller.net/DOCUMENTATION/AWA_INSTRUCTIONS/IL047006ZU2013_02.pdf)