



SELECTOR SWITCH, CAN BE ILLUM., 22MM, ROUND, PLASTIC, BLACK, WHITE, SHORT SELECTOR SWITCH, 3 SWITCH POSITIONS I-O-II, LATCHING, ACTUATING ANGLE 2X45 DEG., 10:30H/12H/13:30H

Figure similar

product brand name		SIRIUS ACT
Product designation		Control and signaling units
Design of the product		Selector switch

Actuator:		
Design of the operating mechanism		Selector switch, short black handle
Manner of function of the actuating element		maintained, 2x45° (10:30h/12h/13:30h)
Product expansion optional Light source		Yes
Color of the actuating element		White
Material of the actuating element		plastic
Shape of the actuating element		Handle
Outer diameter of the actuating element	mm	30.9
Number of switching positions		3
Actuating angle		
• clockwise	°	45
• anticlockwise	°	45

Front ring:		
Product component front ring		Yes
Design of the front ring		standard
Material of the front ring		plastic
Color of the front ring		black

General technical data:		
Vibration resistance		
• acc. to IEC 60068-2-6		10 ... 500 Hz: 5g
Operating frequency maximum	1/h	1 800

Mechanical service life (switching cycles)		
• typical		1 000 000
Equipment marking		
• acc. to DIN EN 61346-2		S
• acc. to DIN EN 81346-2		S

Ambient conditions:

Ambient temperature		
• during operation	°C	-25 ... +70
• during storage	°C	-40 ... +80

Installation/ mounting/ dimensions:

Height	mm	30.9
Width	mm	29.45
Shape of the installation opening		round
Mounting diameter	mm	22

Certificates/ approvals:

Further information

Information- and Downloadcenter (Catalogs, Brochures,...)

<http://www.siemens.com/industrial-controls/catalogs>

Industry Mall (Online ordering system)

<http://www.siemens.com/industrymall>

Cax online generator

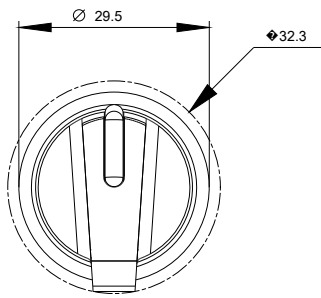
<http://support.automation.siemens.com/WW/CAXorder/default.aspx?lang=en&mlfb=3SU10022BL600AA0>

Service&Support (Manuals, Certificates, Characteristics, FAQs,...)

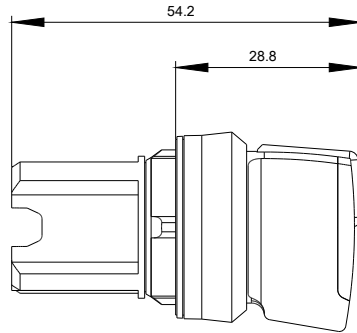
<http://support.automation.siemens.com/WW/view/en/3SU10022BL600AA0/all>

Image database (product images, 2D dimension drawings, 3D models, device circuit diagrams, EPLAN macros, ...)

http://www.automation.siemens.com/bilddb/cax_de.aspx?mlfb=3SU10022BL600AA0&lang=en



last modified:



09.03.2015