

Datasheet

**RS Pro Round PVC Cable Grommet max. cable dia. 5.5mm**

RS Stock No: **102-4192**



## Product Details

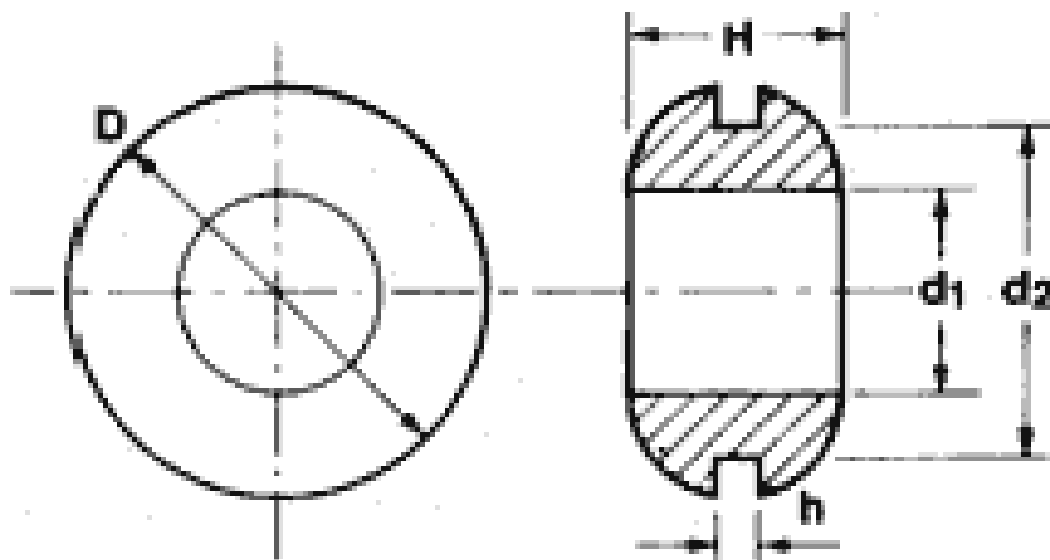
RS Pro round PVC cable grommet in black colour, is a safe and clean way to prevent damage to the cable jacket. It supports maximum cable diameter of 5.5 mm and is suitable for 1.6 mm thick panels.

## Features and Benefits

- Made from PVC
- Grommet type: round
- Suitable for 1.6 mm thick panels

**Specifications:**

Cable Diameter Range	Maximum of 5.5 mm
Colour	Black
Grommet Type	Round
Material	PVC
Maximum Cable Diameter	5.5 mm
Maximum Operating Temperature	+135°C
Minimum Operating Temperature	-40°C
Operating Temperature Range	-40 to +135°C
Height	5.5 mm
Inner Diameter	8 mm
Outer Diameter	11 mm



**Black PVC**

Part Number	Dimension D (mm)	Dimension d1 (mm)	Dimension d2 (mm)	Dimension h (mm)	Dimension H (mm)	Standard Pack Quantity	Notes (Details below table(S))
11177	8.0	2.8	4.8	0.8	4.8	10000	
11026	8.0	3.2	4.8	1.6	6.4	10000	RS st.no. 102-4170
15515	8.8	3.2	6.0	1.2	4	10000	
10629	9.5	4	6.4	0.8	4	10000	*
11333	9.5	4	6.4	1.6	6.3	10000	
11402	9.5	4	6.4	3	8	10000	*
10280	9.5	4.8	6.4	1.6	7	10000	*
12603	9.5	4.8	6.4	1.6	7	10000	RS st.no. 102-4186
15505	11.1	5.6	7.9	1.2	4	10000	
15501	11.1	5.6	7.9	1.6	6.4	10000	
10117	11	3	8.0	3	8	10000	
10489	11	4.8	8.0	0.8	4.8	10000	
11105	11	5.5	8.0	1.6	5.5	10000	RS st.no. 102-4192
10597	11	5.5	8.0	1.6	5.5	10000	*
10518	12.5	4.8	9.5	1.6	6.8	10000	
11178	14.2	6.4	9.5	2.4	7	10000	
11303	14.2	6.4	9.5	1.6	5	10000	
10885	14.2	6.4	9.5	1.6	6.4	10000	*
11318	13.8	7	9.5	1.2	4	10000	
11272	13.8	7	10.2	1.2	4.5	10000	
10428	14.2	8	9.5	1.6	4.8	10000	RS st.no. 102-4237
11107	14.2	8	9.5	1.6	8	10000	
15523	15.9	4	9.6	3.2	6.4	10000	
40045	14.3	7.2	10.3	1.6	4		
40041	15.9	7.9	10.3	1.6	7.9		
11146	14.2	8	11	1.6	4.8	10000	
10744	16	8	11	1.6	6.4	10000	
11151	14.2	8	11	1.6	8	10000	
15497	15.9	7.8	11.1	1.6	6.4		**
15524	15.9	6.4	11.9	1.6	7.9	10000	
15506	17.5	9.6	11.9	2	6.8	10000	
10605	16	6.4	12.5	1.6	8	10000	
10646	16	8.0	12.5	1.6	6.4	10000	RS st.no. 102-4243
10770	16	8.0	12.5	3	8.0	10000	
11019	19	9.5	12.5	1.6	6.4	10000	
10644	17	9.5	12.5	1.6	7.0	10000	RS st.no. 102-4259
10911	17	9.5	12.5	3	8.8	10000	
10881	19	11	12.5	1.6	6.4	10000	
15508	19	9.6	13.5	3.2	9.6	10000	
40042	23	9.6	13.5	4	8.8	5000	
10592	19	9.5	14.2	1.6	6.4	10000	
10281	19	11	14.2	1.6	6.4	10000	
15528	19	11.1	15.9	0.8	9.5	10000	
40010	20.6	12.7	15.9	1.2	5.0	10000	+
10738	20.5	12.5	16	1.2	7.0	10000	
15518	27	7.9	17.5	1.6	6.4		
10628	22	12.5	17.5	1.6	6.4	8000	
10512	22	14.2	17.5	1.6	4.8	10000	
11029	25.5	12.5	19	1.6	6.4	5000	
40047	25.4	11.1	19	4.8	9.5	8000	
15500	25.4	12	19	1.6	7.9	8000	
11326	22	16	19	1.6	5.5	10000	RS st.no. 102-4265
10293	24	16	19	1.6	6.0	7000	
10215	24	16	19	1.6	4.8	10000	
30007	24	16	20	1.6	7.5	7000	
11181	25.5	12.5	20	1.6	6.4	5000	
11025	27	16	20.5	1.2	8.0	4000	
11213	31.4	18.5	25.2	1.2	7.5	4000	



10487	31.4	18.5	25.2	1.6	8.0	4000	
10419	30	22	25.5	1.6	8.0	4000	
15514	44.4	25.4	30.6	3.2	9.9	1000	
11208	44.5	25.5	32	0.8	6.4	2000	+
11214	38	24.9	31	1.6	7.8	1000	
10446	46	32	38	1.6	9.5	1000	
10261	46	32	38	3	11	1000	
11072	60	45	50	1.6	10	500	

\* These items in Black PVC Grade VX321 Shore A 43.  
\*\*Square external shoulder.  
+ Curved internal shoulders.

Copyright Moss Plastic Parts Ltd 2002.