

THIS DRAWING IS UNPUBLISHED. RELEASED FOR PUBLICATION 20
 © COPYRIGHT 20 BY TYCO ELECTRONICS CORPORATION. ALL RIGHTS RESERVED.

LOC	DIST	REVISIONS				
P	LTR	DESCRIPTION	DATE	DWN	APVD	
	C	ECR-08-002920	31/01/08	MJG	JA	

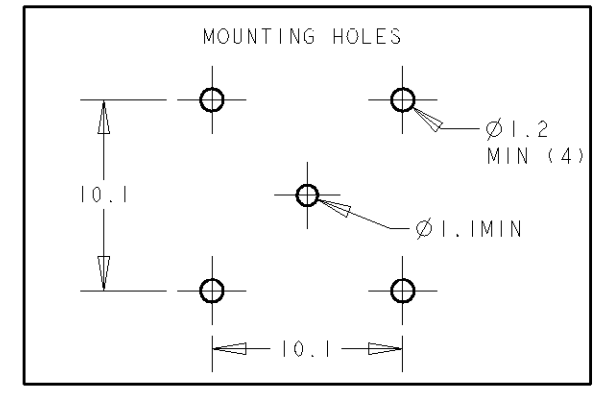
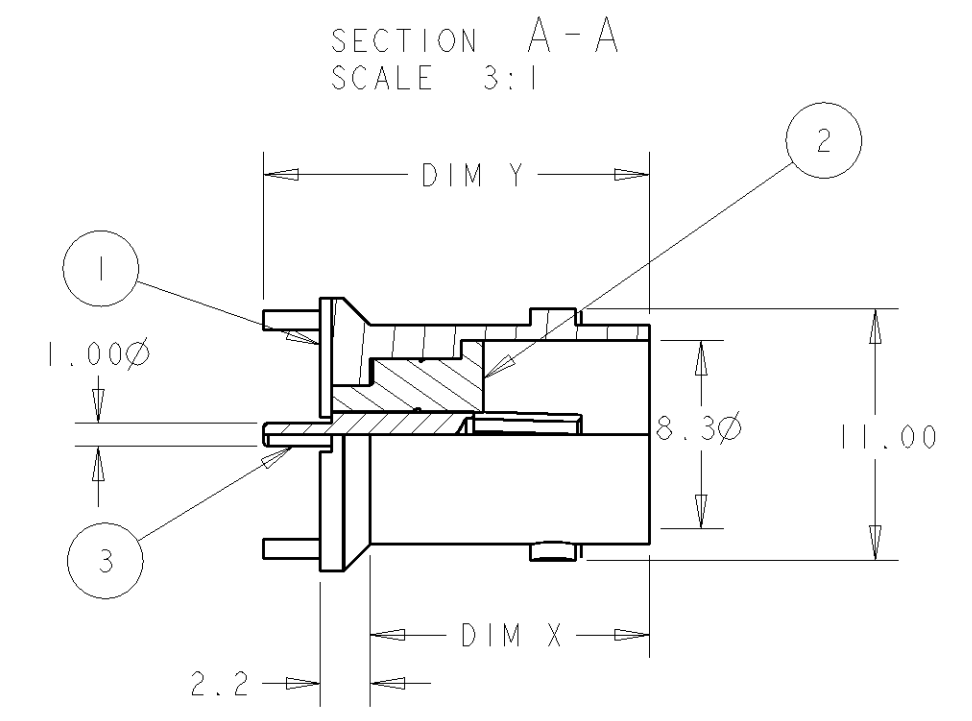
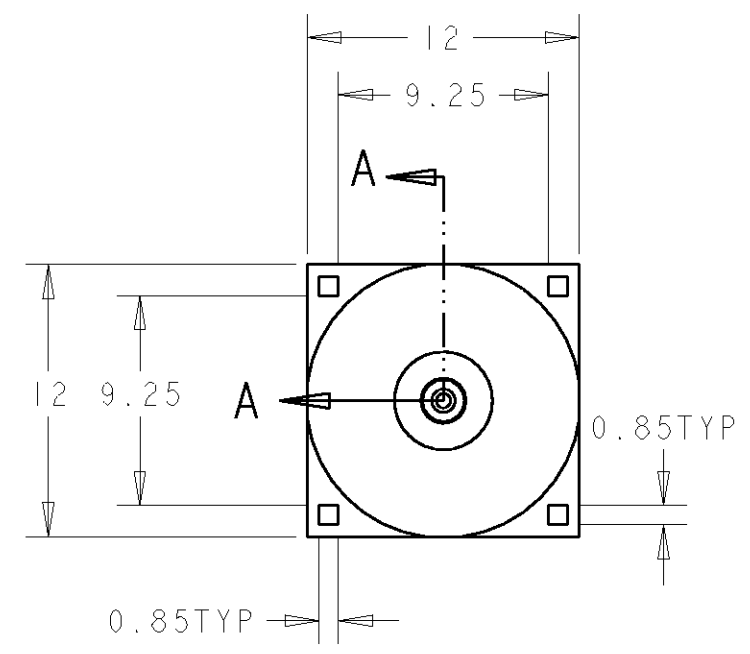
- NOTES:
- 1 PACK IN ACCORDANCE WITH AMP SPEC 107-3275
 - 2 100 TRAY PACK IN ACCORDANCE WITH AMP SPEC 107-3275
 - 3 Au PLATING
 - 4 Ni PLATING

- 5. ELECTRICAL CHARECTERISTICS

FREQUENCY RANGE	DC-2GHz
NOMINAL IMPEDANCE	75Ohm
INSULATION RESISTANCE	5000MOhm
WORKING VOLTAGE	500 Volts at sea level
DIELECTRIC WITHSTAND VOLTAGE	1500 Volts RMS Max
CONTACT RESISTANCE:	
CENTRE CONTACT	1.50 mOhm Max
OUTER CONTACT	0.20 mOhm Max
VSWR @ xGHz	N/A
INSERTION LOSS xdb	N/A
- 6. MECHANICAL CHARECTERISTICS

COUPLING RETENTION FORCE	N/A
CABLE RETENTION FORCE	N/A
DURABILITY	500 cycles
- 7. ENVIRONMENTAL CHARECTERISTICS

OPERATING TEMPERATURE	-55 TO 165 DegC
-----------------------	-----------------
- 8. FOR TECHNICAL DATA REFER TO YOUR LOCAL TYCO SALES REP
- 9. ALL DIMENSIONS ARE NOMINAL AND FOR REFERENCE ONLY UNLESS OTHERWISE STATED



TYCO PART NO	DIM Y	DIM X
6-1478050-1	19.5	15.3
1-1478050-1	19.5	15.3
6-1478050-0	17.0	12.8
1-1478050-0	17.0	12.8

FINISH	MATERIAL	DESCRIPTION	ITEM
3	BRASS	CONTACT	3
NONE	PTFE	DIELECTRIC	2
4	BRASS	BODY	1

DIMENSIONS: mm 		TOLERANCES UNLESS OTHERWISE SPECIFIED: 0 PLC ±0.5 1 PLC ±0.5 2 PLC ±0.5 3 PLC ±0.5 4 PLC ± ANGLES ±2 FINISH SEE TABLE		DWN M.GREENER 31JAN2008 CHK J.AMBROSE 31JAN2008 APVD S.PARLOW 31JAN2008 PRODUCT SPEC - APPLICATION SPEC - WEIGHT -		Tyco Electronics UK Ltd. Bideford, North Devon, EX39 4HE	
MATERIAL SEE TABLE				BNC STRAIGHT PCB SOCKET 75 OHM			
MATERIAL SEE TABLE		FINISH SEE TABLE		SIZE A3 CAGE CODE 00779 C=1478050		RESTRICTED TO -	
CUSTOMER DRAWING						SCALE 3:1 SHEET 1 OF 1 REV C	