

Datasheet

Stainless Steel Threaded Fitting Hose Nipple

RS Stock number [499-3782](#)



Features:

Stainless Steel
150lbs fittings
Material: S/S 316
With BSP Screwed end
Investment casting
Barrel nipple is made from S/40 pipe

Specifications:

Connection 1: 1 ¼ in R Male
Connection 2: 32 mm Barbed Male
Connection Gender 1: Male
Connection Gender 2: Male
Fitting Type: Hose Nipple
Thread Size 1: 1 ¼ in
Thread Standard 1: R

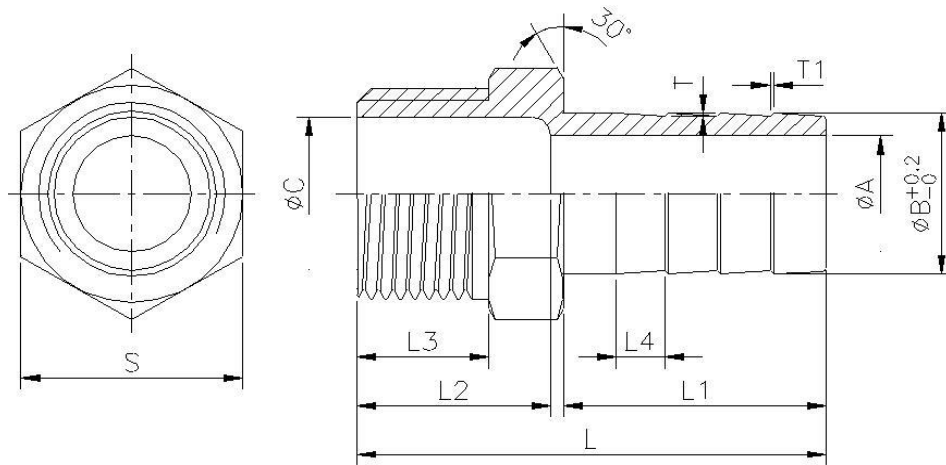


Figure 1

Measurements:

A	B	C	L	L1	L2	L3	L4	S	T	T1	Weight (kg)
26.5	32	34	70	37	28	22	7.1	45	0.5	0.5	N/A

All measurements given in the above table are given in mm unless otherwise stated. These measurements are for Figure 1 above.