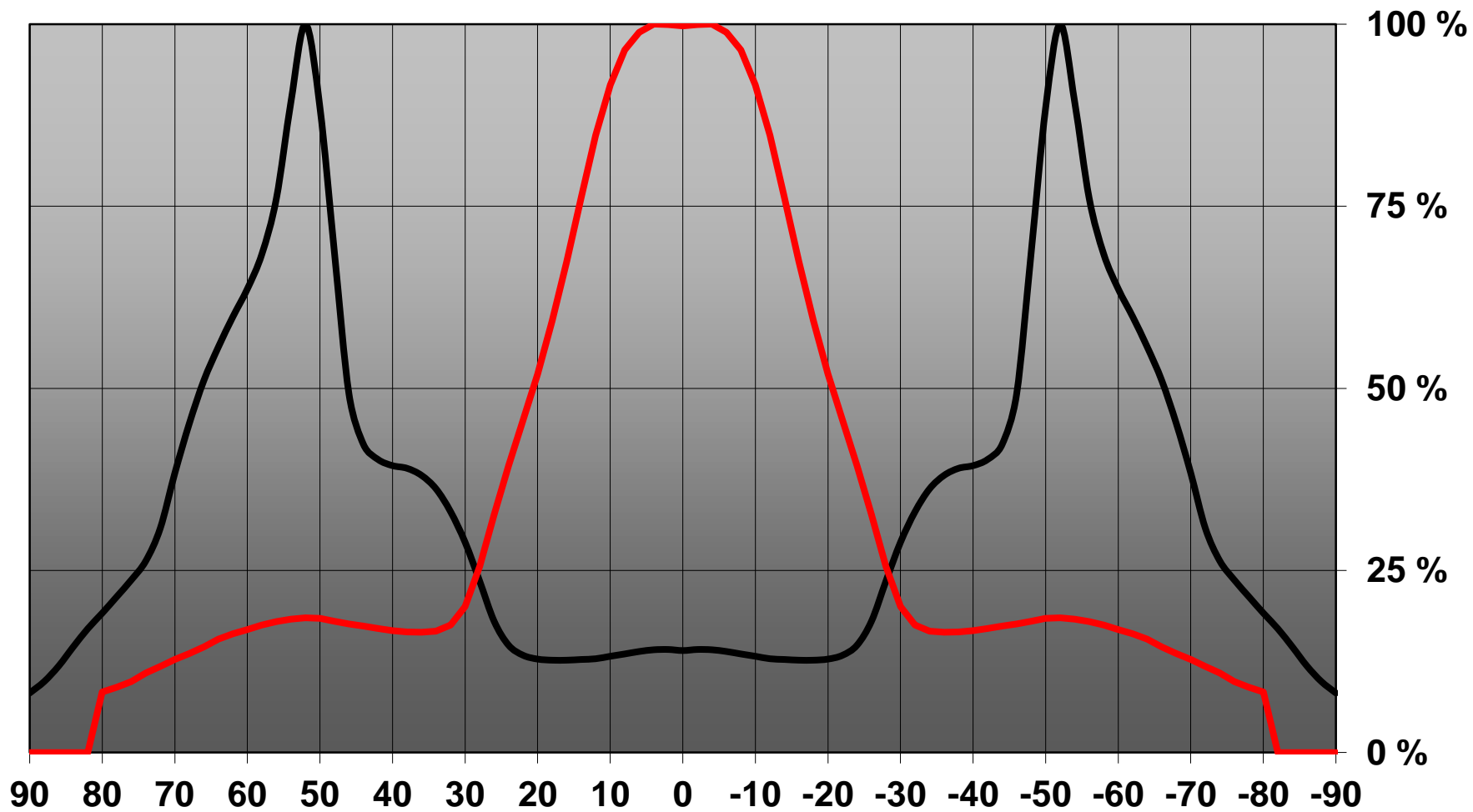




<b>Ordering number</b>	<b>CA10823</b>		
<b>Description</b>	<b>1</b>		
Family	Strada-A	FWHM	82+139 degrees
Type	Assembly	Efficiency	91 %
LED	3535 Ceramic (LEMWA33)	3W cd/lm	1.000
Color	Clear	Gerber File	Available
Diameter	19.6 +15.4 mm		
Height	10.65 mm		
Style	Rectang		
Optic Material	PMMA		
Holder Material	-		
Fastening	-		
Status	Ready		

**NOTE: The typical divergence will be changed by different color, chip size and chip position tolerance. The typical total divergence is the full angle measured where the luminous intensity is half of the peak value.**

Relative intensity of CA10823\_Strada-A-XP-tape



D

C

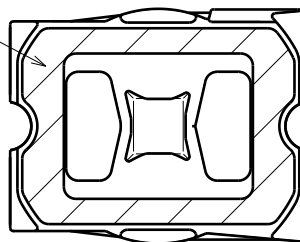
B

A

4

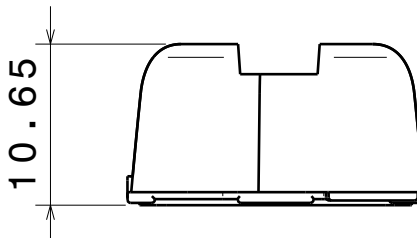
4

Tape 0.4mm



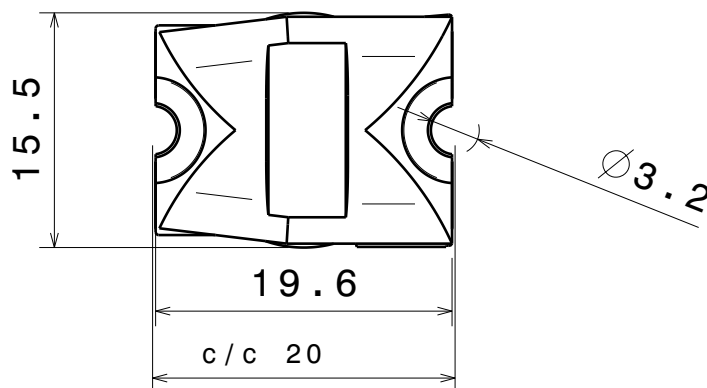
3

3



2

2



Material:  
 Lens PMMA  
 Tape PU foam with PSA

This drawing is our property.  
 It can't be reproduced  
 or communicated without  
 our written agreement.



L  
T  
F  
F

e  
e  
i  
i  
n  
n

d  
h  
d

DRAWING TITLE

Datasheet Strada-A-XP assy

1

1

DRAWN BY

DATE

p

05.08.2011

CHECKED BY

DATE

t

k

07.07.2011

SIZE

DRAWING NUMBER

REV

A4

1

DESIGNED BY

DATE

hh

20.11.2008

SCALE

2:1

WEIGHT (g)

SHEET

1/1

D

A