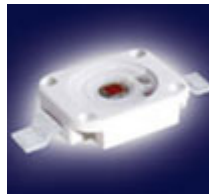
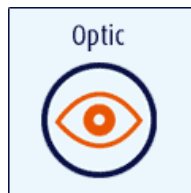
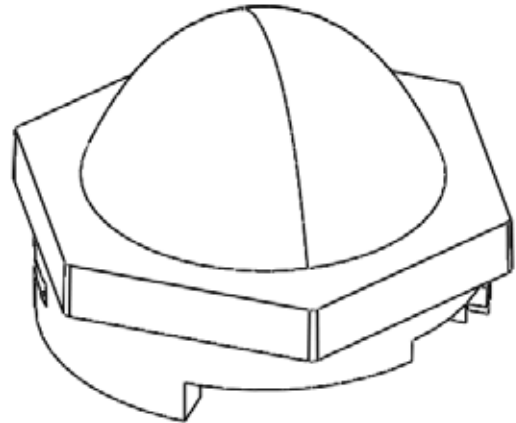
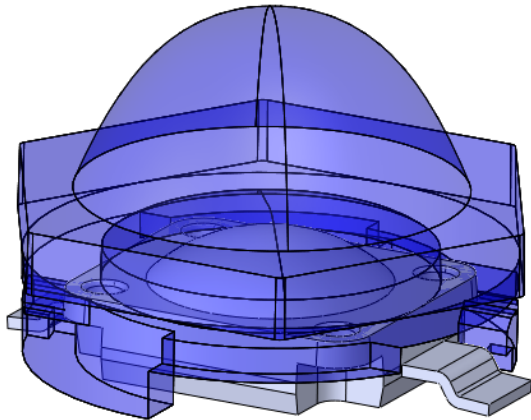


DATASHEET

PRODUCT: FL-63S LED-Lens

CONTENT

1. FEATURE.....	2
2. TYPICAL APPLICATION.....	2
3. MECHANICAL DIMENSION.....	3
4. REPRESENTATIVE SPATIAL RADIATION PATTERN.....	4
5. PACKING PROCESS.....	5



Features

1. 30°1/2 power angle
2. Works with **OSRAM Golden DRAGON Plus LED, Golden DRAGON LED** and compatible LED

Typical Applications

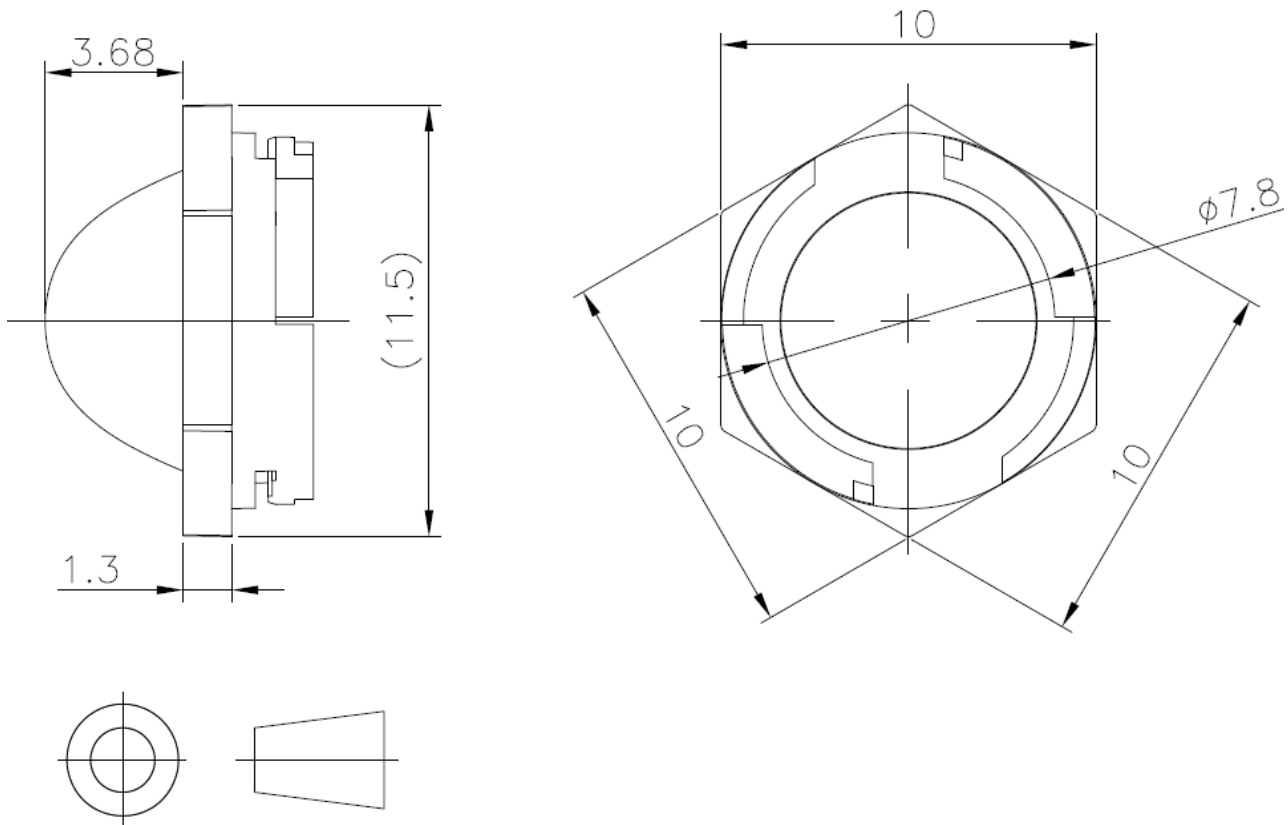
1. portable light source (e. g. bicycle, flashlight)
2. decorative and entertainment lighting
3. signal and symbol luminaire for orientation
4. marker lights (e.g. steps, exit ways, etc.)
5. indoor and outdoor commercial and residential architectural lighting
6. spot lighting / high contrast lighting
7. glass cabinet lighting
8. flashlight
9. effect illumination: starry sky

SHOWIN Technology Co., Ltd

<http://www.swtech.com.tw> No.32, Shenzun Rd.,
Shengang, Taichung County 429, Taiwan (R.O.C)
TEL:886-4-25611133 FAX: 886-4-2561535

Buy Showin products and get applications advice from :-
Intelligent LED Solutions Ltd,
3 Clerewater Place, Thatcham, RG19 3RF, UK
Tel: +44 (0)1635 294606 Fax: +44 (0)1635 869200
Email: info@i-led.co.uk www.i-led.co.uk

Mechanical Dimensions



Notes:

1. All dimensions are in millimeter (mm).
2. General tolerance is ± 0.1 mm.
3. Protruding of the gate from the side surface is less than 0.3mm.
4. Matching with standard OSRAM Golden DRAGON Plus LED, general pull force can not separate them.
5. Do not subject to temperatures greater than 110°C as plastic deformation may occur. Protect collimator against exposure to solvents and adhesives that are not compatible with it. Use care in handling the optic to avoid scratches or other damage that will effect upon the optical performance.

SHOWIN Technology Co., Ltd

<http://www.swtech.com.tw> No.32, Shenzun Rd.,
Shengang, Taichung County 429, Taiwan (R.O.C)
TEL:886-4-25611133 FAX: 886-4-2561535

Buy Showin products and get applications advice from :-
Intelligent LED Solutions Ltd,
3 Clerewater Place, Thatcham, RG19 3RF, UK
Tel: +44 (0)1635 294606 Fax: +44 (0)1635 869200
Email: info@i-led.co.uk www.i-led.co.uk

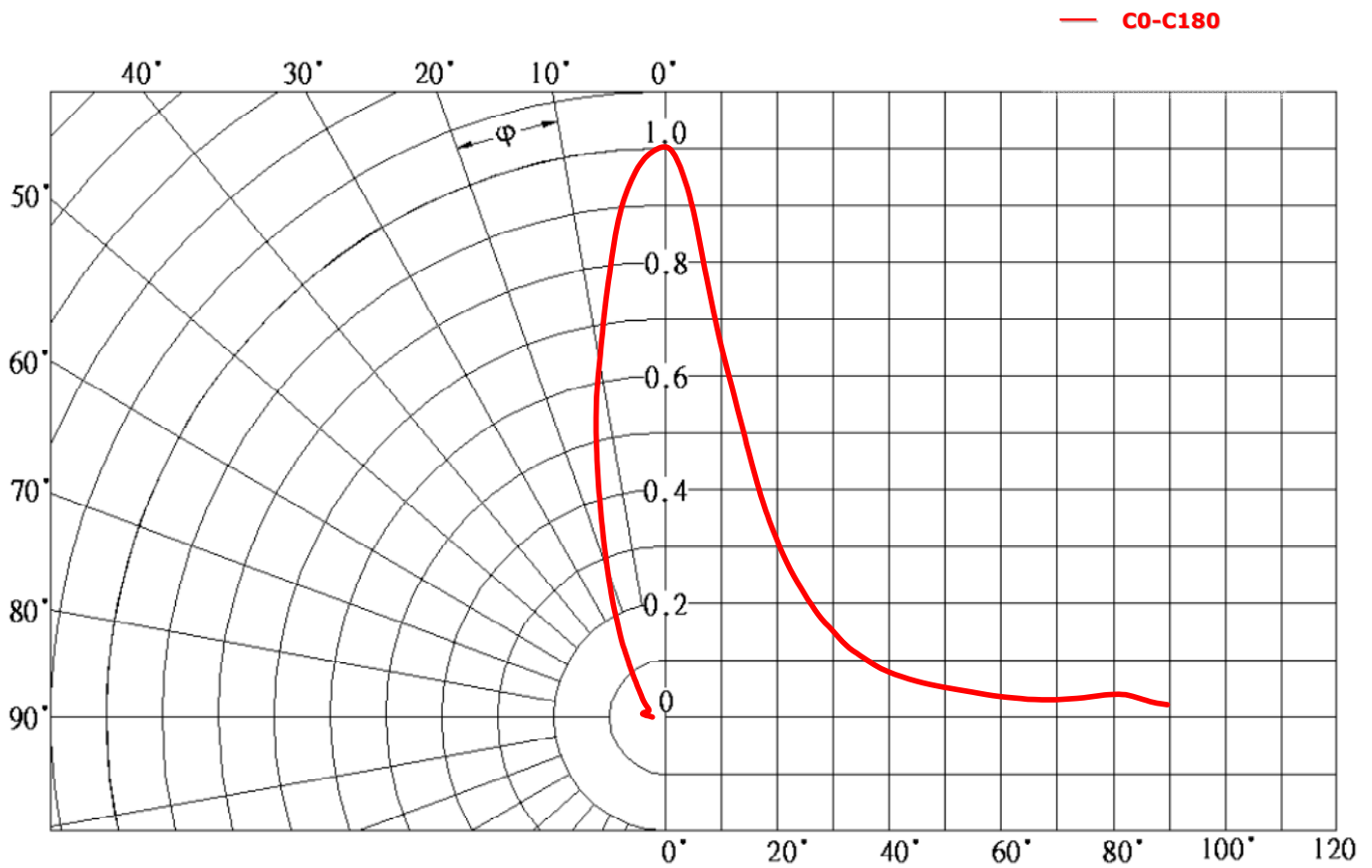
Representative Spatial Radiation Pattern

Simulation using LUW_W5AM of OSRAM Golden DRAGON Plus LED :

$$I_{rel} = f(\phi)$$

I_{rel} : Relative Intensity

Φ : Angular Displacement



SHOWIN Technology Co., Ltd

http://www.swtech.com.tw No.32, Shenzun Rd.,
Shengang, Taichung County 429, Taiwan (R.O.C)
TEL:886-4-25611133 FAX: 886-4-2561535

Buy Showin products and get applications advice from :-

Intelligent LED Solutions Ltd,

3 Clerewater Place, Thatcham, RG19 3RF, UK

Tel: +44 (0)1635 294606 Fax: +44 (0)1635 869200

Email: info@i-led.co.uk

www.i-led.co.uk

Packing Process

There are three steps of packing process that is: 250 lenses into a tray, two trays and two desiccants into a packing bag, ten packages into a carton.

Detail as follows:

