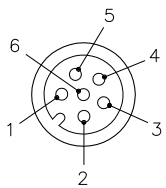
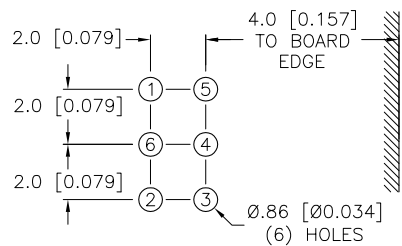


MALE END VIEW

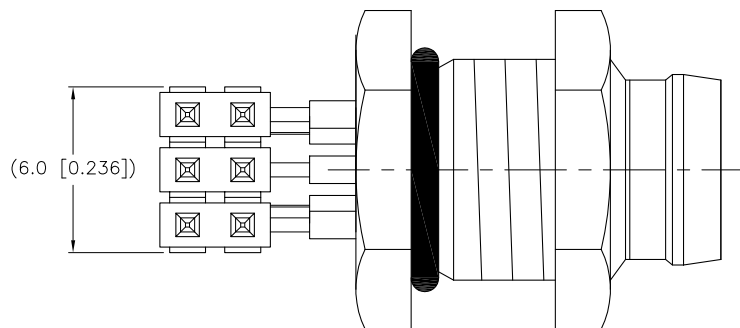
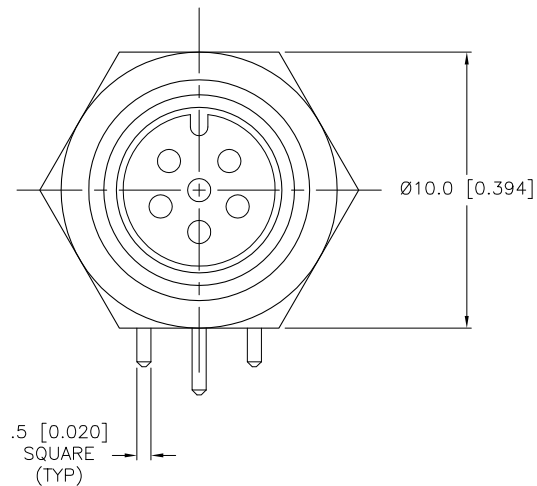
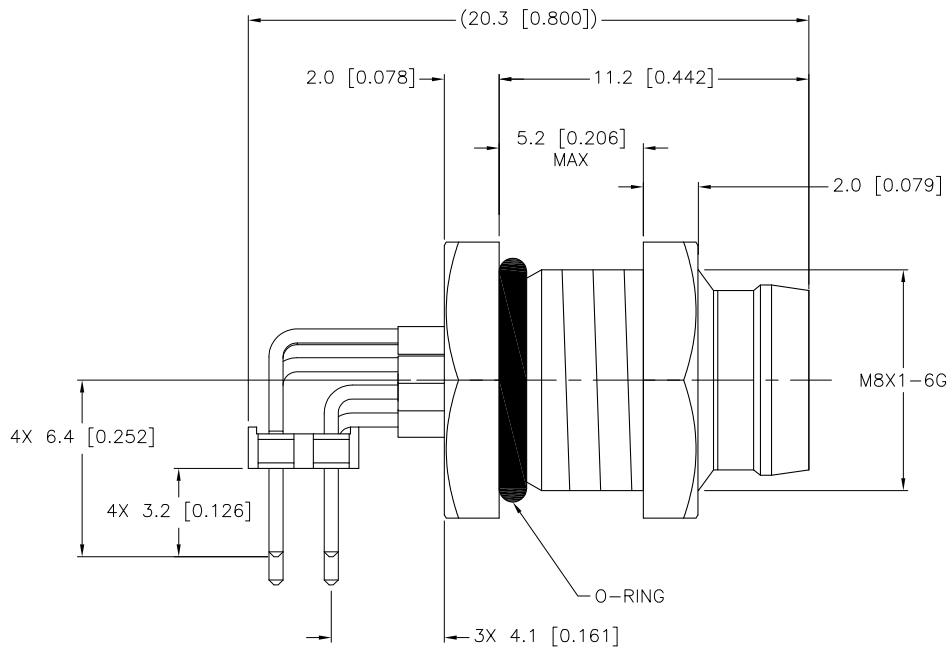


PIN-OUT DIAGRAM



SPECIFICATIONS

CONTACT CARRIER MATERIAL/COLOR	NYLON/BLACK
CONTACT MATERIAL/PLATING	BRASS/GOLD
HOUSING MATERIAL/PLATING	BRASS/NICKEL
NUMBER OF CONTACTS	6 x 0.025 IN SQ. POSTS
RATED CURRENT [A]	1.0 A
RATED VOLTAGE [V]	50 VAC/60 VDC
TEMPERATURE RANGE	-30°C to +80°C (-22°F to +176°F)
MAXIMUM PCB THICKNESS	1.6 MM [0.06 IN]
PROTECTION CLASS	MEETS NEMA 1,3,4,6P AND IEC IP67



SOURCE DRAWING - FOR REFERENCE ONLY

RELATED DOCUMENTS 1. 8-164-02 revP2 2. 3. 4.	3RD ANGLE PROJECTION 	THIS DRAWING IS PROPERTY OF TURCK INC. USE OF THIS DOCUMENT WITHOUT WRITTEN PERMISSION IS PROHIBITED.		3000 CAMPUS DRIVE MINNEAPOLIS, MN 55441 1-800-544-7769 (763) 553-7300 (763) 553-0708 fax turck.com	
	MATERIAL	DRFT RDS	DATE 12/17/02	DESCRIPTION WMFS 6F-PCB	
FINISH	ALL DIMENSIONS DISPLAYED ON THIS DRAWING ARE FOR REFERENCE ONLY  CONTACT TURCK FOR MORE INFORMATION	DSGN GC	SCALE 4=1	IDENTIFICATION NO. U0902-43	
		UNIT OF MEASUREMENT <b>MILLIMETER [ INCH ]</b>		REV D	
D UPDATE HEADER POSITION AND HEADER PIN LENGTHS	GB 09/20/07	18721	DO NOT SCALE THIS DRAWING		FILE: U0902-43
REV DESCRIPTION	BY DATE ECO NO.		SHEET 1 OF 1		