

DETAILS

Product Number	CA10927_STRADA-B
Family	Strada-B
Type	Assembly
Color	clear
Diameter	19,6 + 15,5 mm
Height	5.2 mm
Style	rectang
Optic Material	PMMA
Holder Material	
Fastening	screw, tape
Status	ready
ROHS Compliant	Yes
Date Updated	10/06/2014



OPTICAL PROPERTIES

LED	Viewing Angle	Light Beam	Efficiency	cd/lm	Connector
Z5	sim: 110+40	Streetligh...	93 %	-	-
XP-G	112+42 deg	Streetligh...	93 %	0.500	-
H35C0 (LEMWA33)	112+43 deg	Streetligh...	88 %	0.500	-
XP-E	116+44 deg	Streetligh...	93 %	0.560	-

D

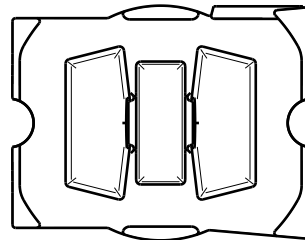
C

B

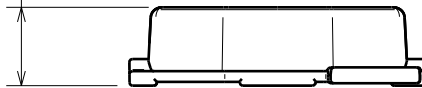
A

4

4



5.2

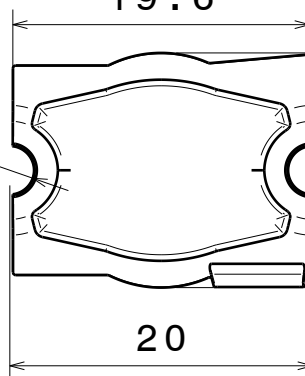


3

3

19.6

∅ 3.2



Top view

15.5

20

fastening

2

2

MATERIALS
Lens: PMMA

This drawing is our property.
It can't be reproduced
or communicated without
our written agreement.



L
T
F
F

e
e
i
i
N
n

d
h

DRAWING TITLE

Datasheet Strada-B-XP lens

1

1

DRAWN BY

DATE

p

03.06.2009

CHECKED BY

DATE

t

k

21.04.2009

DESIGNED BY

DATE

hh

20.04.2009

SIZE

DRAWING NUMBER

REV

A4

C10926

1

SCALE

2:1

WEIGHT (g)

SHEET

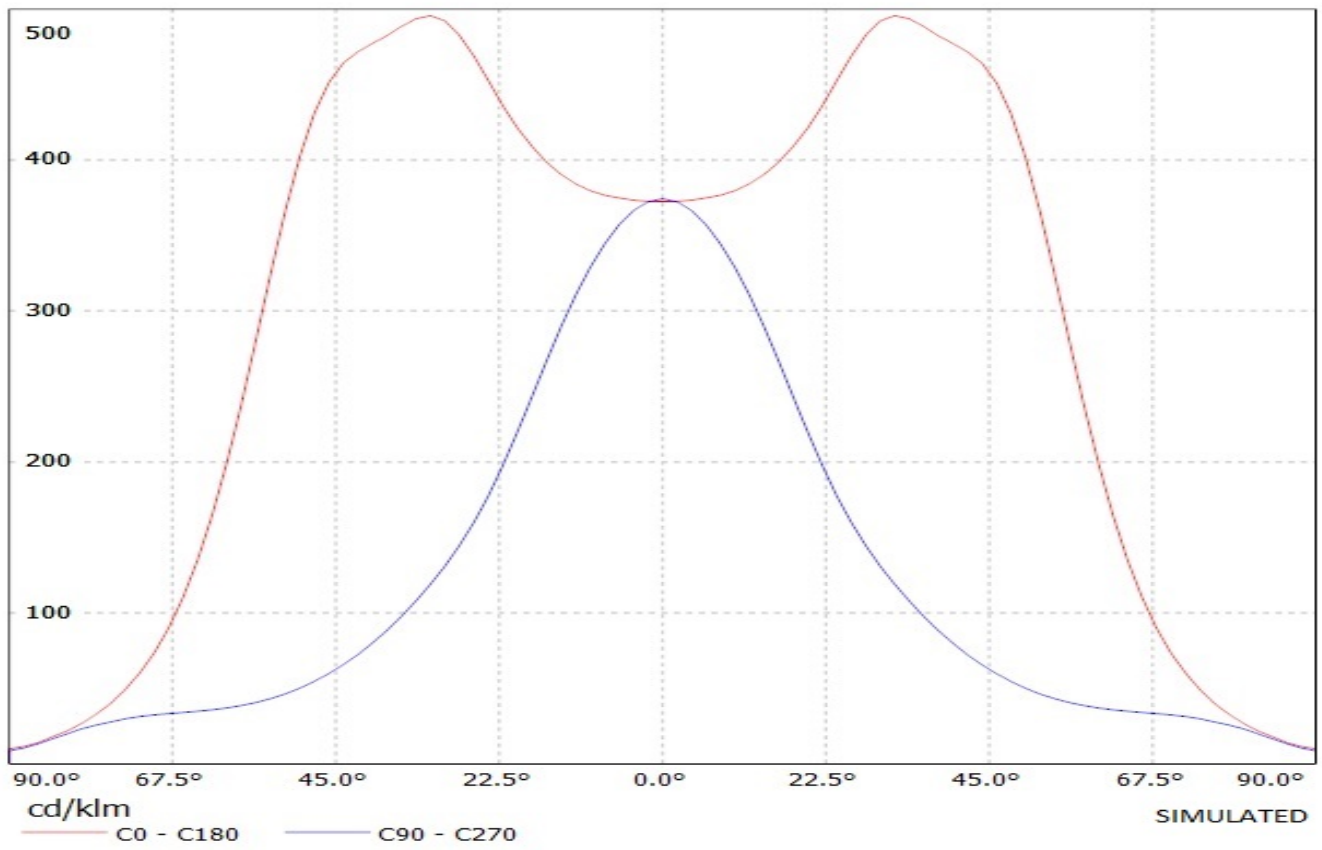
1/1

D

A

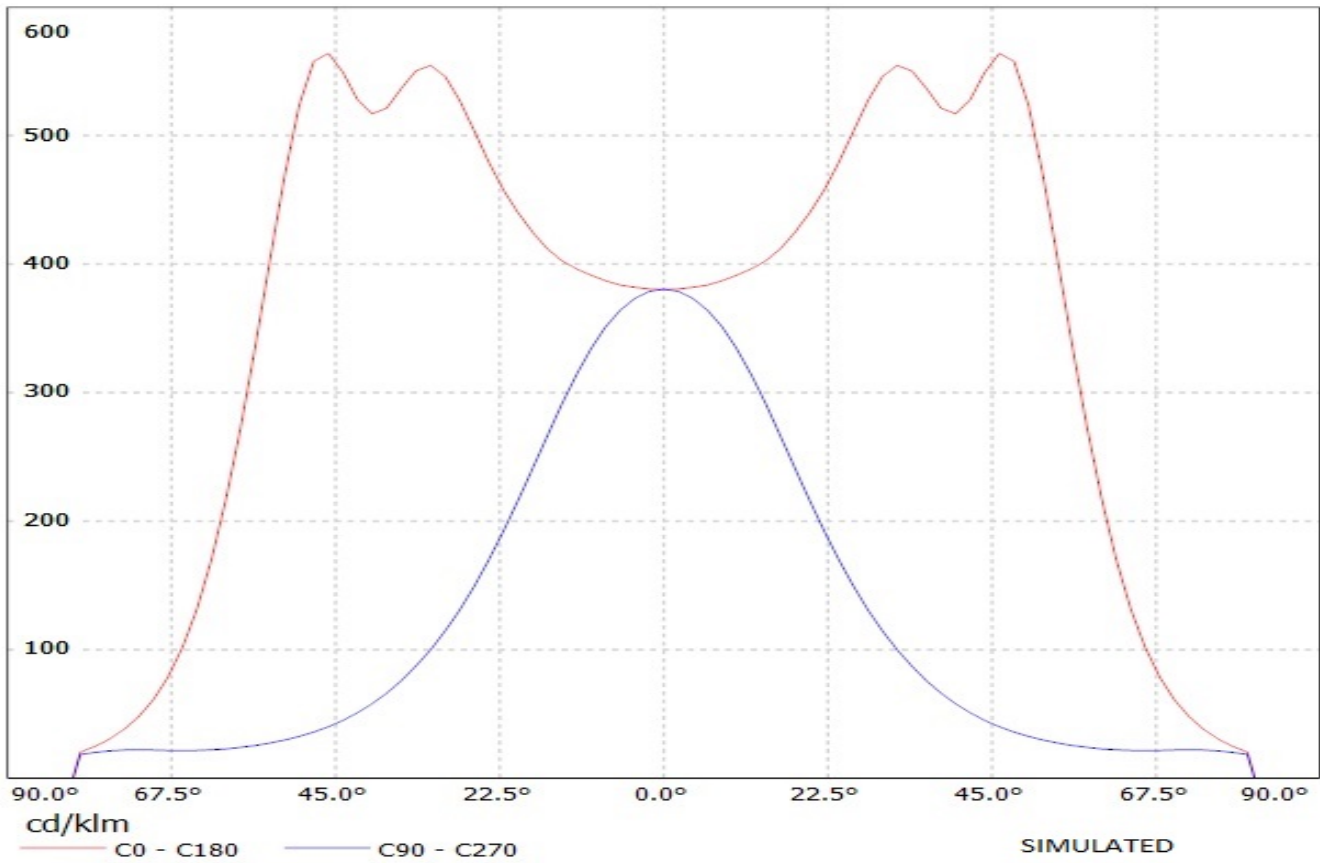
Ledil Oy C10926_Strada-B-XPG C10926_Strada-B-XPG / LDC (Linear)

Luminaire: Ledil Oy C10926_Strada-B-XPG C10926_Strada-B-XPG
Lamps: 1 x Cree XP-G (White)



Ledil Oy C10926_Strada-B-XP C10926_Strada-B-XP / LDC (Linear)

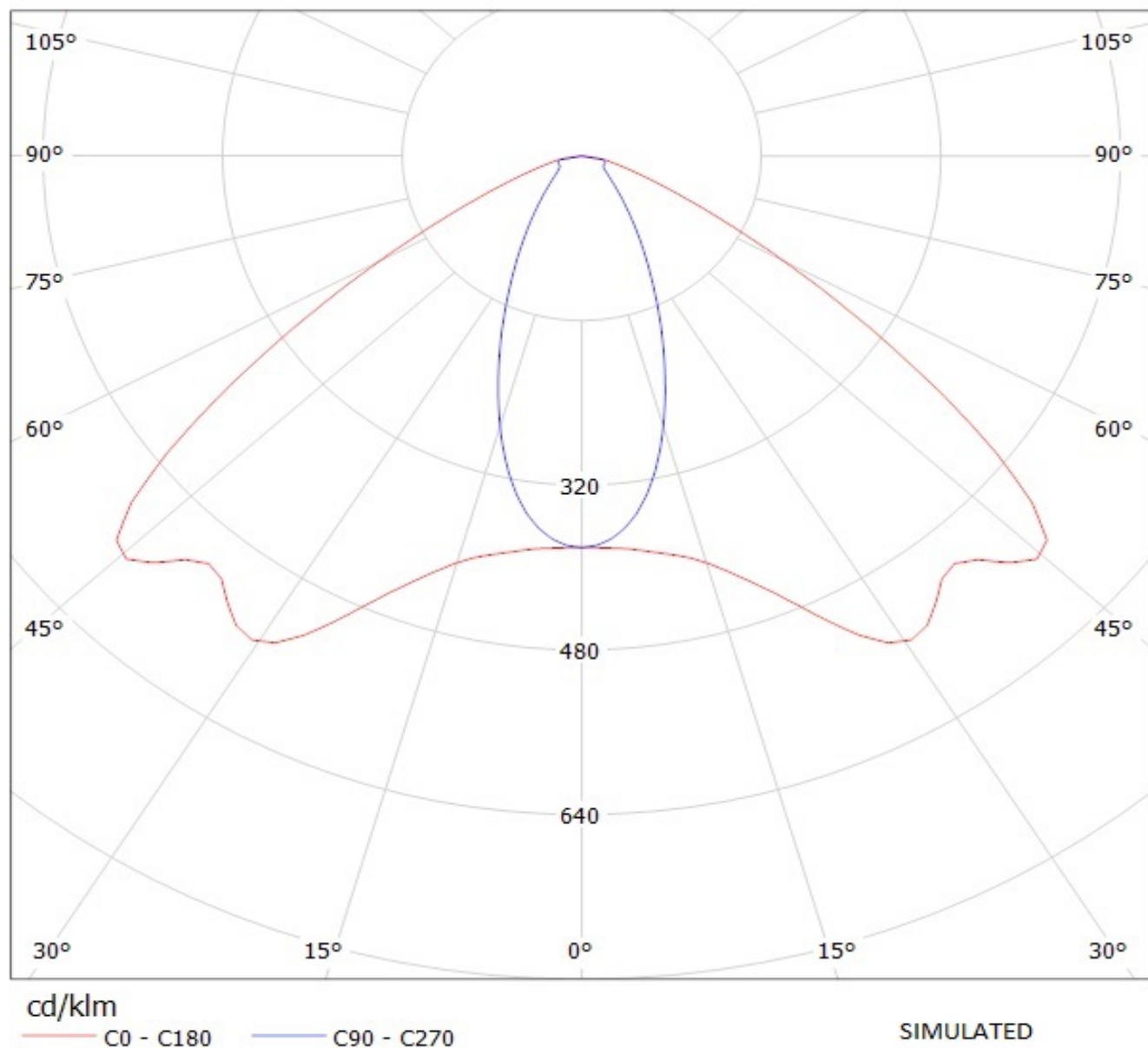
Luminaire: Ledil Oy C10926_Strada-B-XP C10926_Strada-B-XP
Lamps: 1 x Cree XP-E (white)



Ledil Oy C10926_Strada-B-XP C10926_Strada-B-XP / LDC (Polar)

Luminaire: Ledil Oy C10926_Strada-B-XP C10926_Strada-B-XP

Lamps: 1 x Cree XP-E (white)



NOTE: The typical divergence will be changed by different color, chip size and chip position tolerance. The typical total divergence is the full angle measured where the luminous intensity is half of the peak value.