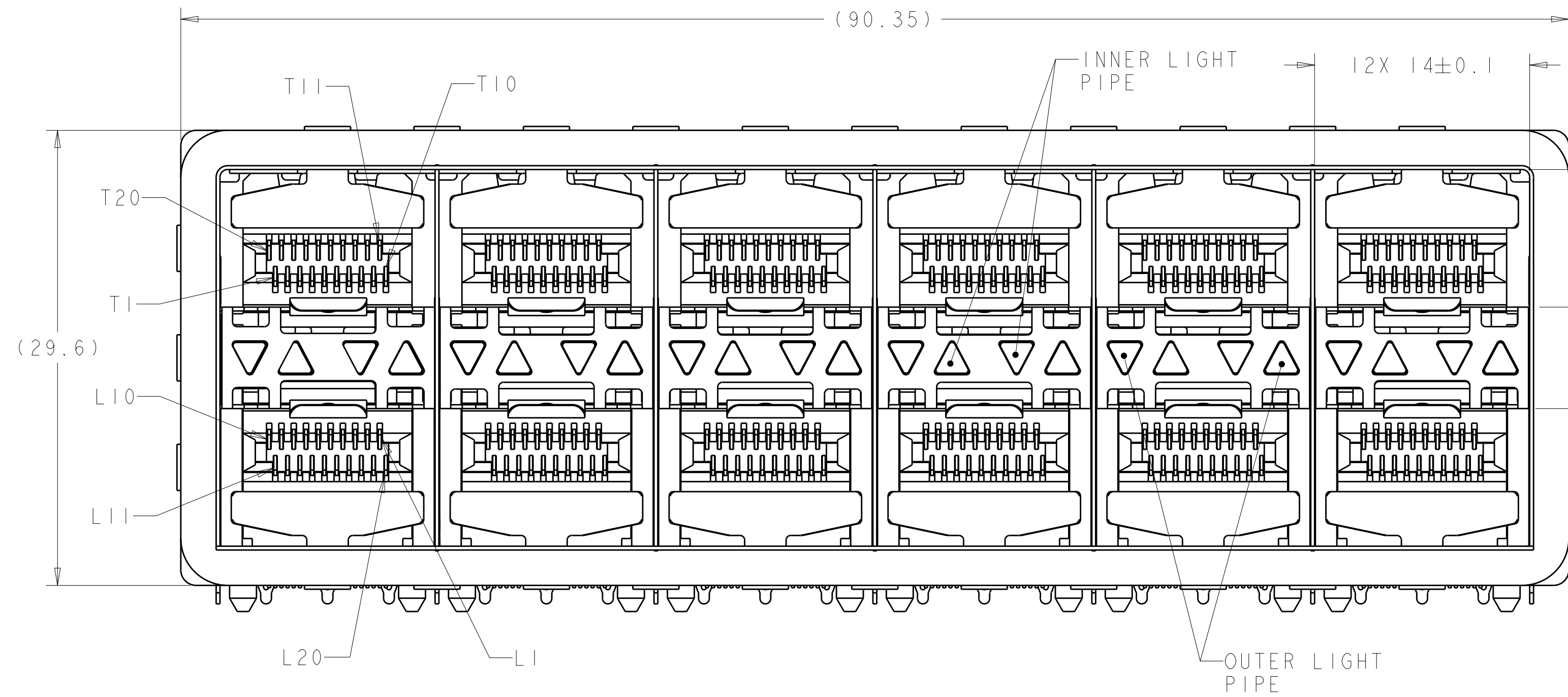
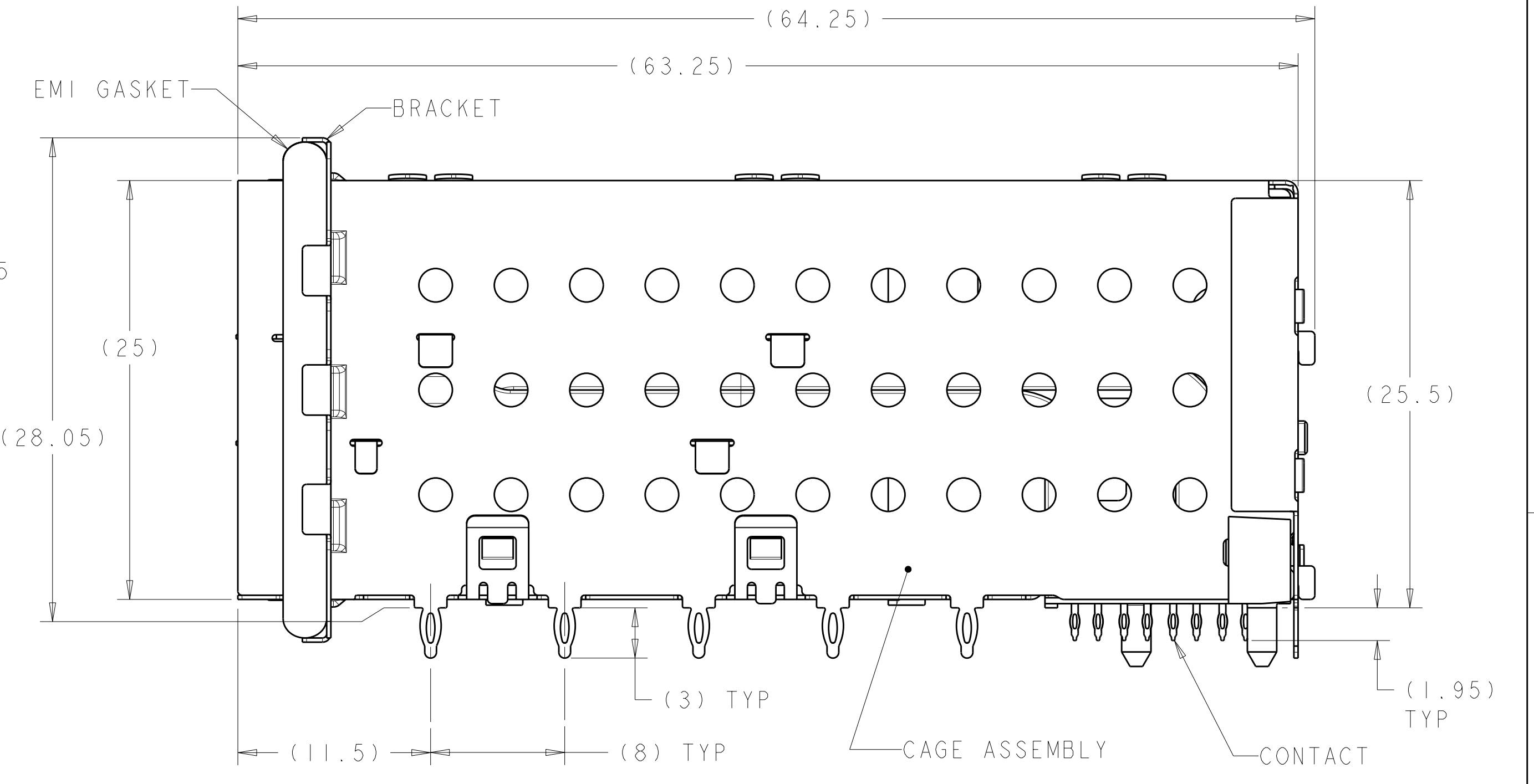


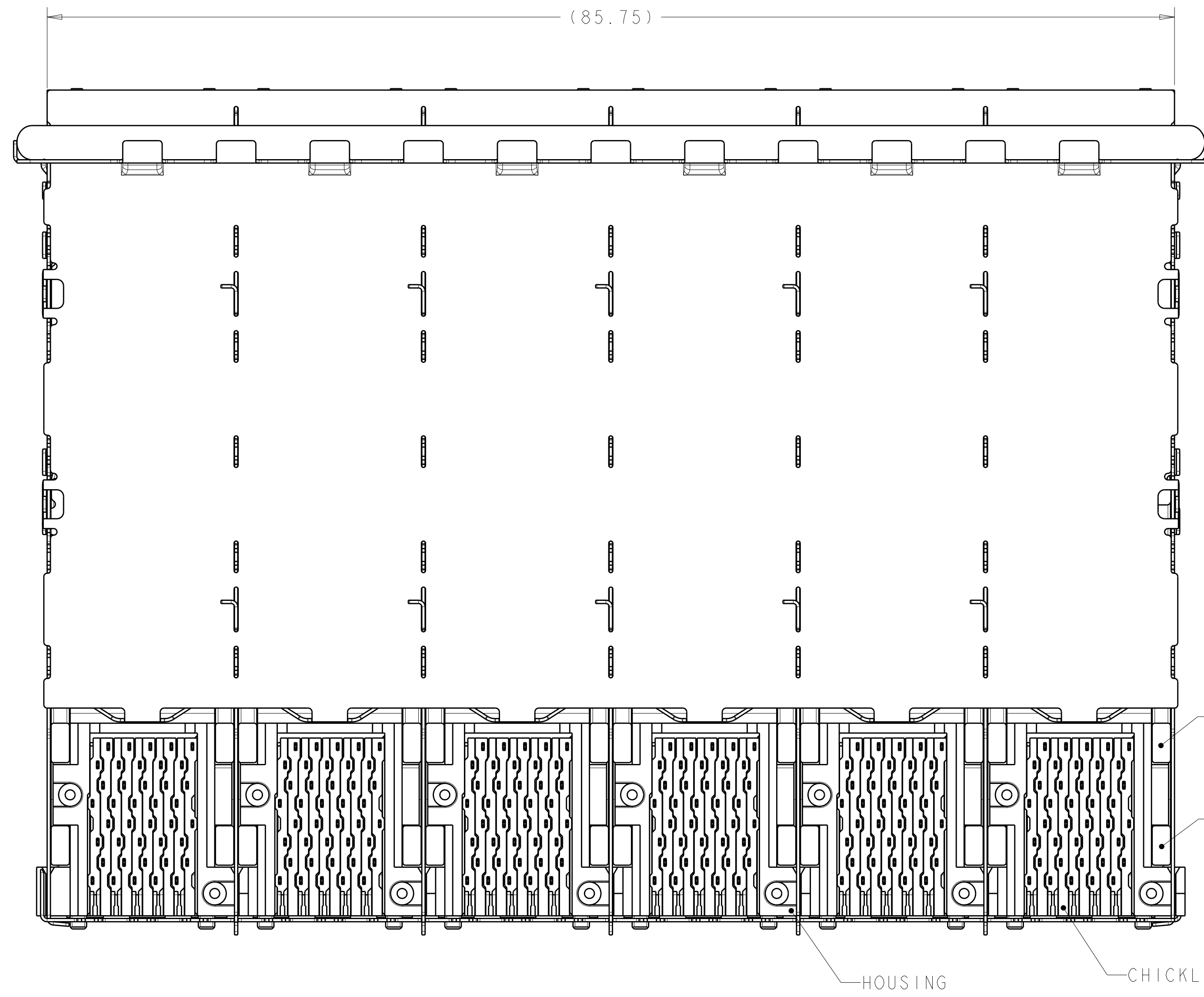
LOC	DIST	REVISIONS					
GP	00	P	LTR	DESCRIPTION	DATE	DWN	APVD
		A		RELEASED PER ECO-10-000098	20JAN2010	CR	MS
		B		REVISED PER ECO-10-015148	26OCT2010	CJV	JRP



2007567-1 AS SHOWN



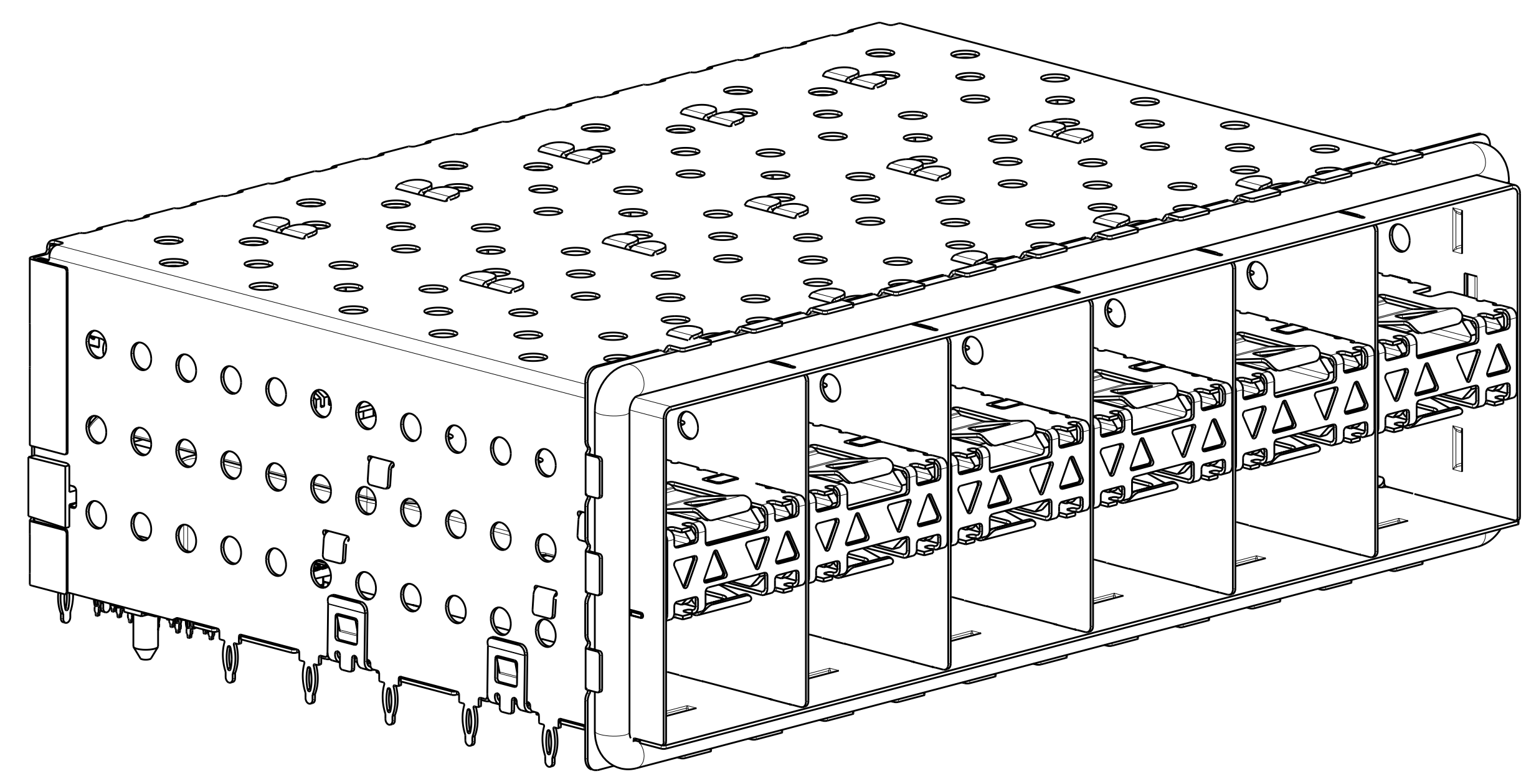
- 1 MATERIALS:
 CAGE ASSEMBLY- NICKEL SILVER ALLOY PER ASTM B 122.
 BRACKET- STAINLESS STEEL.
 EMI GASKET- PLATED FILLED SILICONE.
 HOUSING- BLACK LCP, UL 94V-0 RATED.
 CHICKLET- BLACK LCP, UL 94V-0 RATED.
 LIGHT PIPE- POLYCARBONATE, CLEAR, UL 94V-2 RATED.
 INSERT - (FOR LIGHT PIPE PART NUMBERS ONLY) - PBT, BLACK, UL 94V-0.
 CONTACT- COPPER ALLOY.
- 2 DATUM AND BASIC DIMENSIONS ESTABLISHED BY CUSTOMER.
- 3. MINIMUM PCB THICKNESS OF 1.5.
- 4 CONTACT FINISH- CONFORMS TO THE REQUIREMENTS OF TYCO ELECTRONICS PRODUCT SPECIFICATION 108-2331, BASED ON EIA/ECA-364-1000.01A, (CONTROLLED ENVIRONMENT APPLICATIONS) ON MATING INTERFACE, TIN-LEAD ON NEEDLE EYE.
- 5 CONTACT FINISH- CONFORMS TO THE REQUIREMENTS OF TYCO ELECTRONICS PRODUCT SPECIFICATION 108-2331, BASED ON EIA/ECA-364-1000.01A, (CONTROLLED ENVIRONMENT APPLICATIONS) ON MATING INTERFACE, TIN ON NEEDLE EYE.
- 6 FOR HOLE SIZE AND PLATINGS, SEE APPLICATION SPEC 114-13219.
- 7 THE ENTIRE AREA OF THE CONNECTOR FOOTPRINT, INDICATED BY THE DASHED LINE, TO BE CONSIDERED THE KEEPOUT AREA FOR COMPONENTS AND SIGNAL TRACES, TOP SIDE ONLY. TOP SIDE TRACES ALLOWED WITHIN CONNECTOR HOLE PATTERN.
- 8 LIGHT PIPE PAD LAYOUT IS FOR 0805 LOW PROFILE LED PACKAGE WITH A HEIGHT OF 0.8mm.



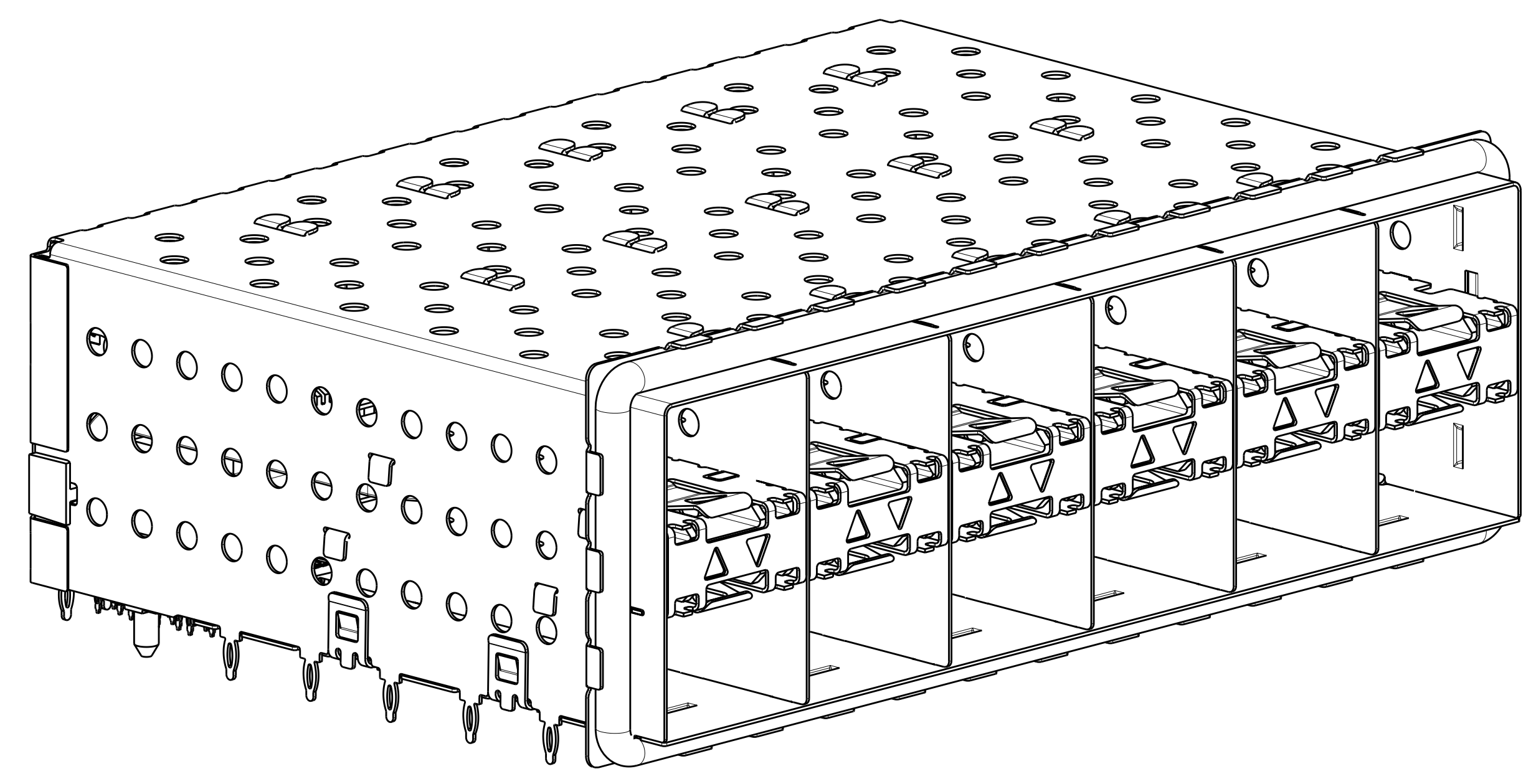
FINISH	DESCRIPTION	PART NUMBER
5	NO LIGHT PIPES	2007567-8
	OUTER 2 LIGHT PIPES	2007567-7
	INNER 2 LIGHT PIPES	2007567-6
4	4 LIGHT PIPES	2007567-5
	NO LIGHT PIPES	2007567-4
	OUTER 2 LIGHT PIPES	2007567-3
	INNER 2 LIGHT PIPES	2007567-2
	4 LIGHT PIPES	2007567-1

DIMENSIONS: mm		TOLERANCES UNLESS OTHERWISE SPECIFIED: 0 PLC ±0.10 1 PLC ±0.10 2 PLC ±0.10 3 PLC ±0.10 4 PLC ±0.10 ANGLES ±°		DWN M. SHIRK 18JAN2008 CHK D. SZCZESNY 18JAN2008 APVD D. SZCZESNY 18JAN2008		Tyco Electronics Harrisburg, PA 17105-3608	
MATERIAL:		FINISH:		PRODUCT SPEC: 108-2331 APPLICATION SPEC: 114-13219		NAME: CAGE AND PT CONNECTOR ASSEMBLY, WITH EMI GASKET, PRESS FIT, 2X6, STACKED SFP+ SIZE: CAGE CODE DRAWING NO: 114-13219 WEIGHT: - SCALE: 4:1	
CUSTOMER DRAWING				A100779C=2007567		SHEET 1 OF 4 REV B	

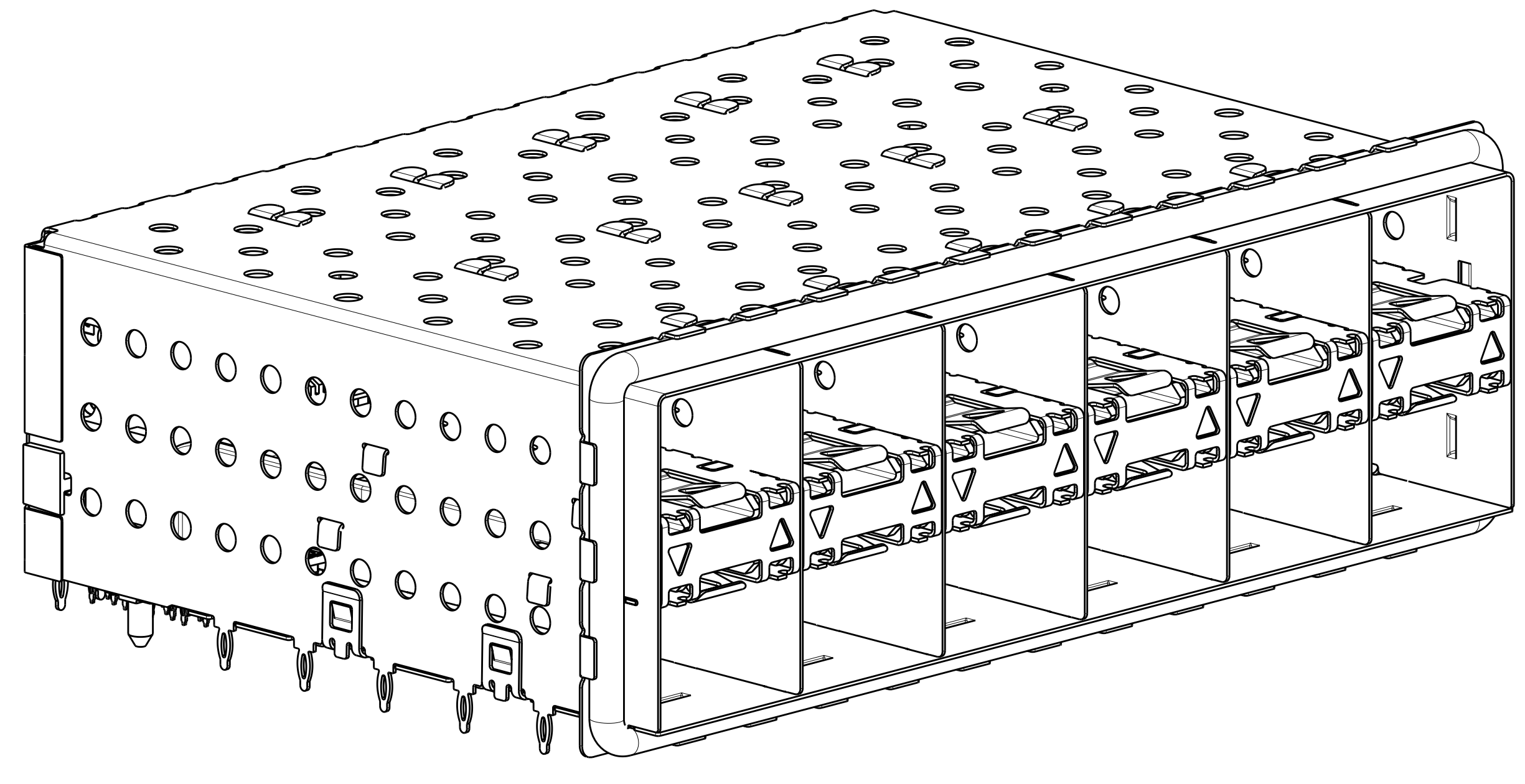
LOC	DIST	REVISIONS			
P	LTB	DESCRIPTION	DATE	DWN	APVD
GP	00	SEE SHEET 1			



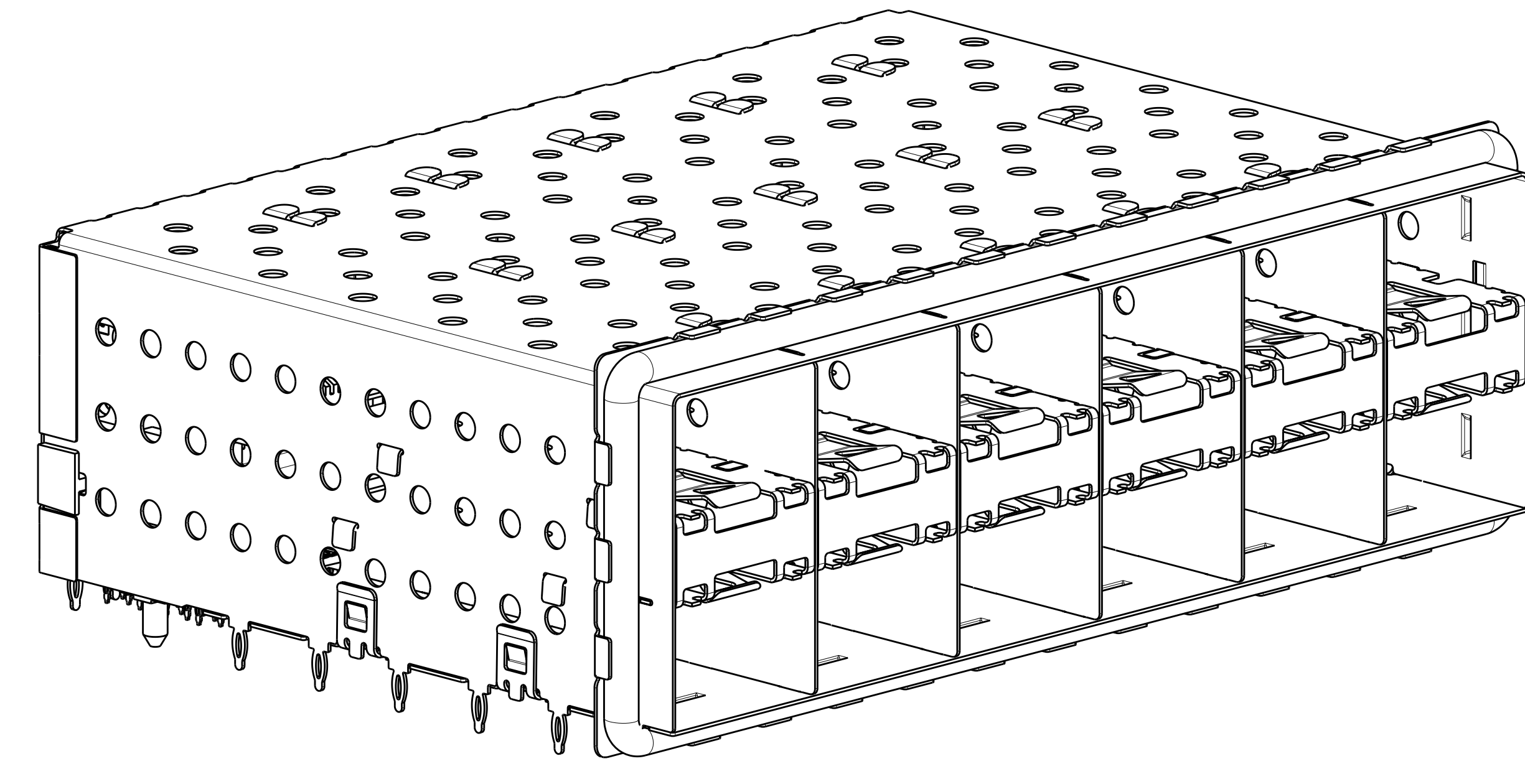
2007567-1 AND 2007567-5
 SCALE 3:1



2007567-2 AND 2007567-6
 SCALE 3:1



2007567-3 AND 2007567-7
 SCALE 3:1

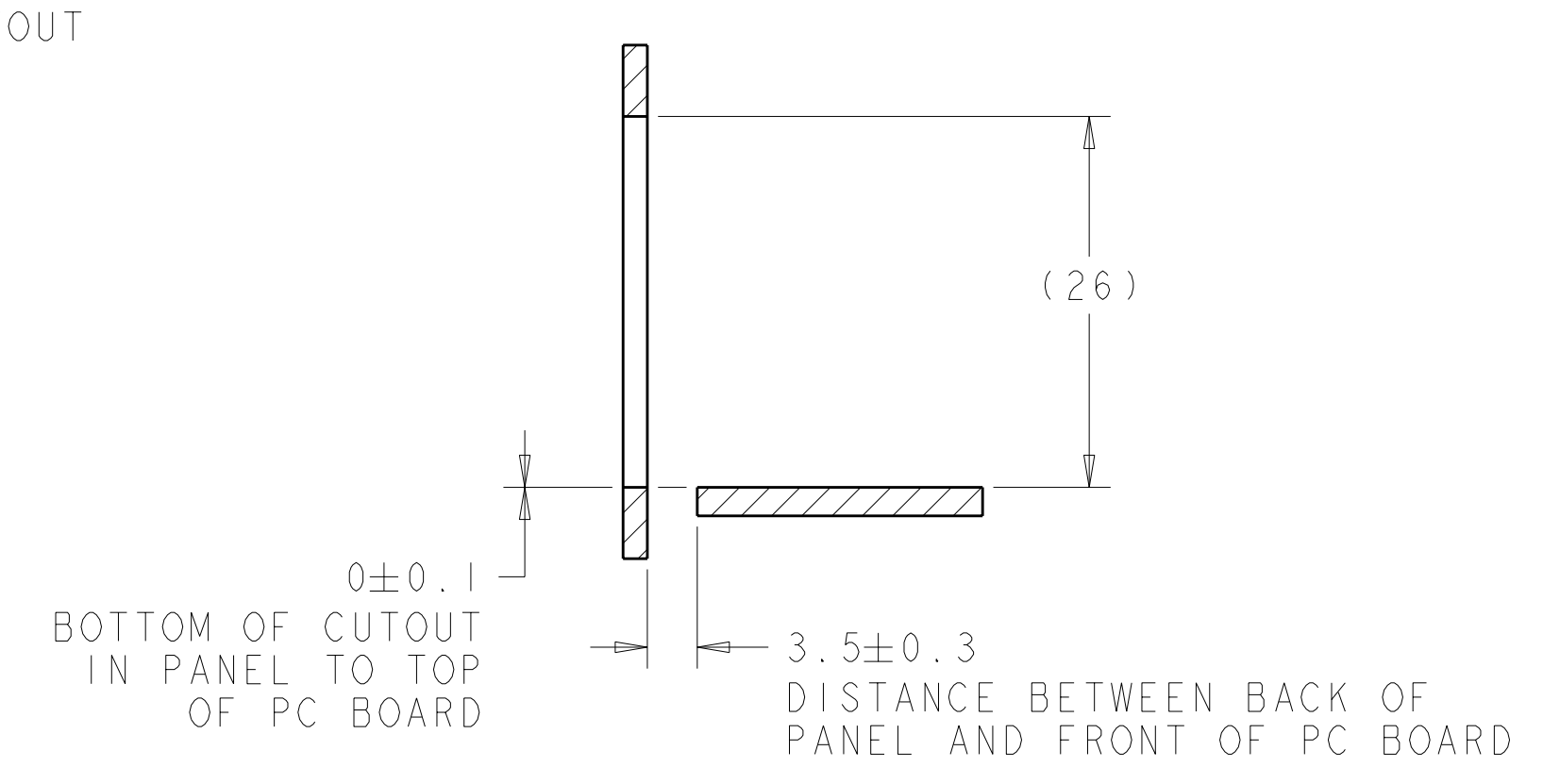
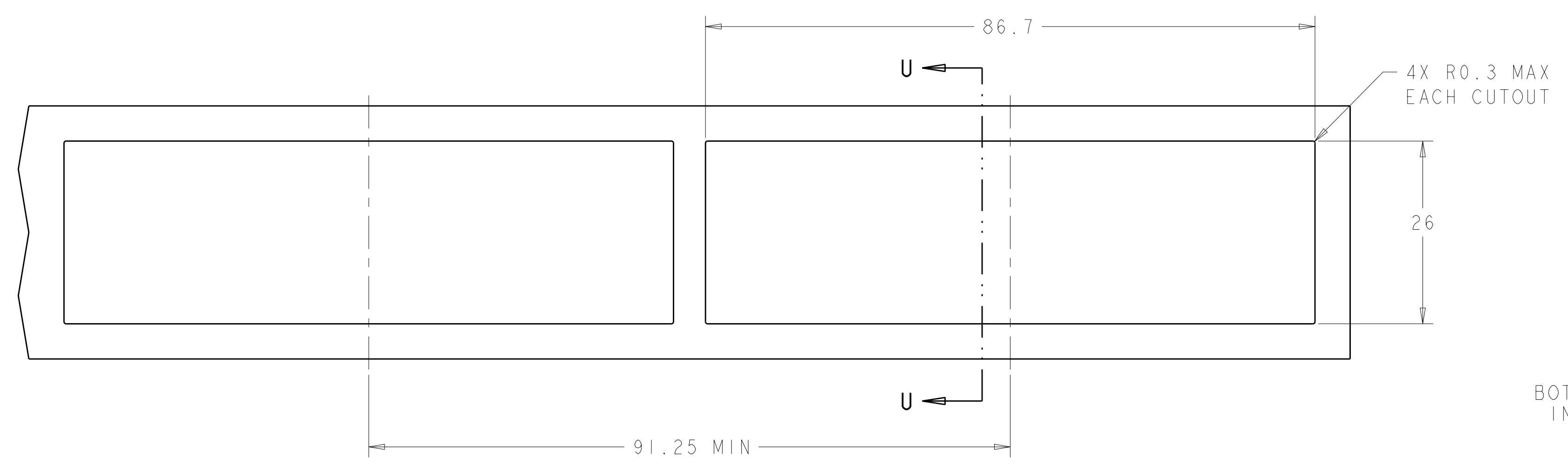
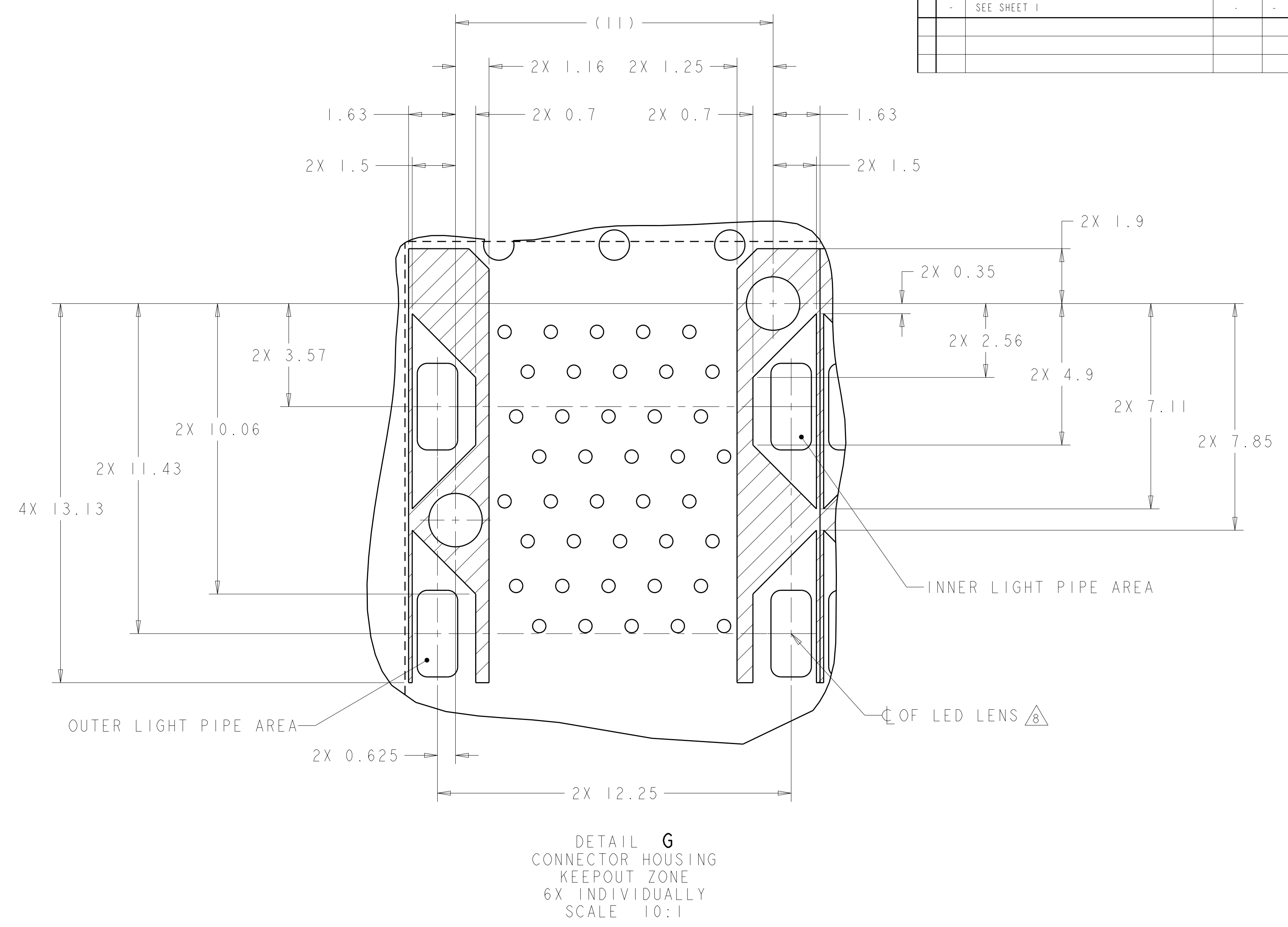
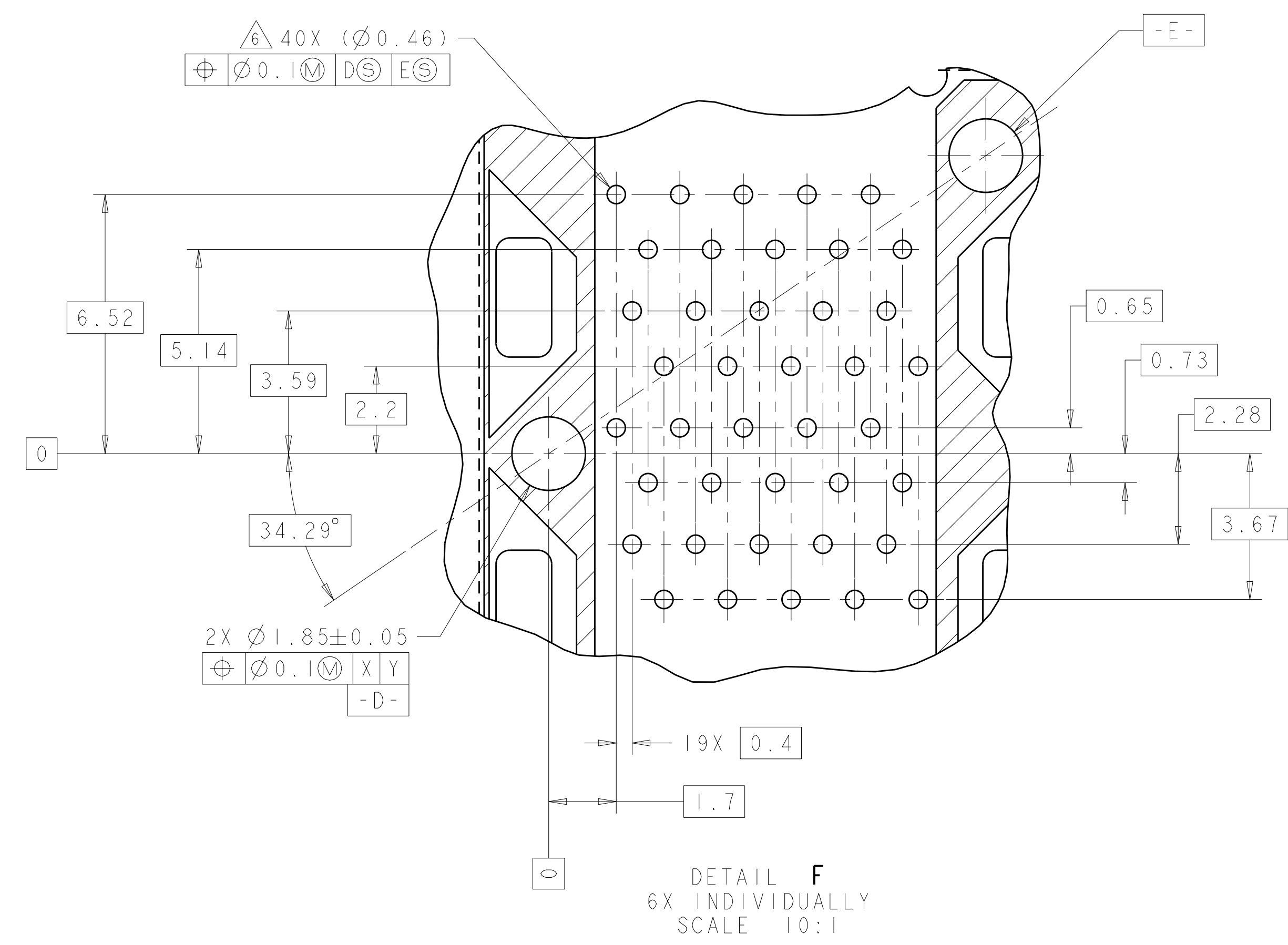


2007567-4 AND 2007567-8
 SCALE 3:1

<small>THIS DRAWING IS UNPUBLISHED. RELEASED FOR PUBLICATION BY TYCO ELECTRONICS CORPORATION. ALL RIGHTS RESERVED.</small>		DWN: M. SHIRK 18JAN2008 CHK: D. SZCZESNY 18JAN2008 APVD: D. SZCZESNY 18JAN2008	Tyco Electronics Tyco Electronics Harrisburg, PA 17105-3608
DIMENSIONS: mm 		TOLERANCES UNLESS OTHERWISE SPECIFIED: 9 PLC ±0.10 1 PLC ±0.10 2 PLC ±0.10 3 PLC ±0.10 4 PLC ±0.10 ANGLES ±°	NAME: CAGE AND PT CONNECTOR ASSEMBLY, WITH EMI GASKET, PRESS FIT, 2X6, STACKED SFP+ PRODUCT SPEC: 108-2331 APPLICATION SPEC: 114-13219 WEIGHT: - FINISH: -
MATERIAL: - FINISH: -		SIZE: 114-13219 CAGE CODE: A1100779 DRAWING NO: C=2007567 CUSTOMER DRAWING	RESTRICTED TO: - SCALE: 4:1 SHEET 2 OF 4 REV B

LOC	DIST	REV	DATE	BY	APPD
GP	00				

REV	DATE	DESCRIPTION
-	-	SEE SHEET 1



DIMENSIONS: mm 		TOLERANCES UNLESS OTHERWISE SPECIFIED: 9 PLC ±0.10 1 PLC ±0.10 2 PLC ±0.10 3 PLC ±0.10 4 PLC ±0.10 ANGLES ±°		DWN M. SHIRK 18JAN2008 CHK D. SZCZESNY 18JAN2008 APVD D. SZCZESNY 18JAN2008		Tyco Electronics Harrisburg, PA 17105-3608	
MATERIAL FINISH		WEIGHT 114-13219		NAME CAGE AND PT CONNECTOR ASSEMBLY, WITH EMI GASKET, PRESS FIT, 2X6, STACKED SFP+		SIZE CAGE CODE DRAWING NO A1100779C=2007567	
CUSTOMER DRAWING				SCALE 4:1		SHEET 4 OF 4 REV B	