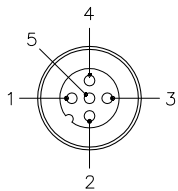
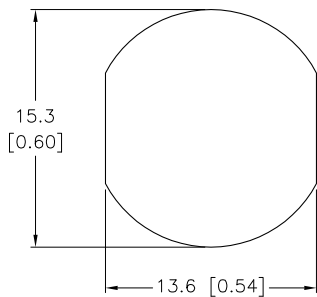


MALE END VIEW

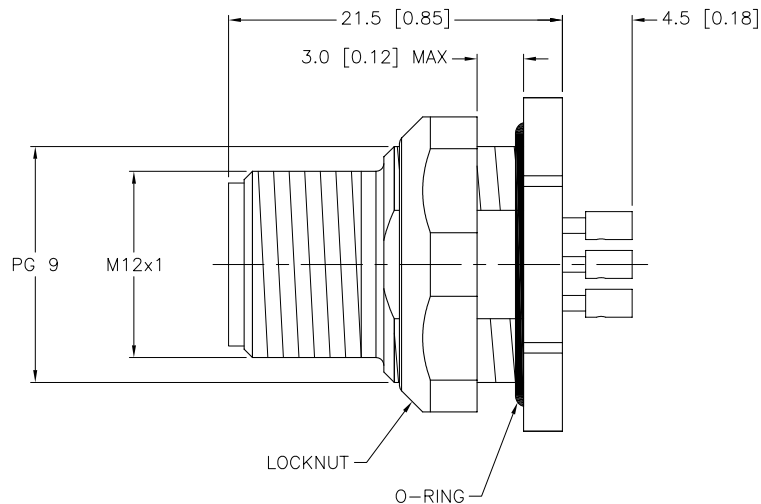
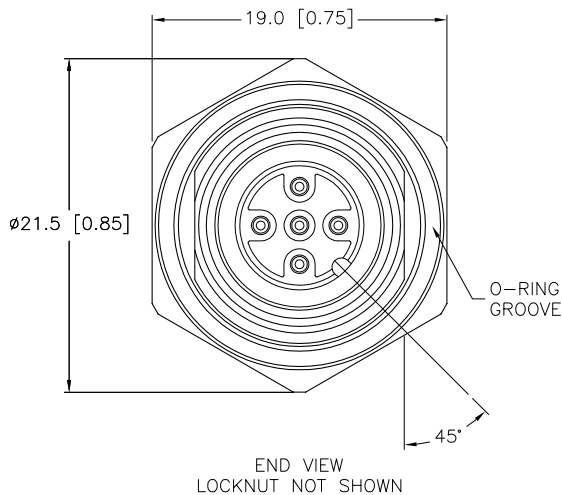


TYPICAL PANEL CUTOUT



SPECIFICATIONS

CONTACT CARRIER MATERIAL/COLOR	NYLON OR TPU/BLACK
CONTACT MATERIAL/PLATING	BRASS/GOLD
HOUSING, LOCKNUT/PLATING	BRASS/NICKEL
RATED CURRENT [A]	2.0 A
RATED VOLTAGE [V]	60VAC/75VDC
NUMBER OF CONDUCTORS [AWG]	SOLDER CUPS
TEMPERATURE RANGE	-40°C to +105°C (-40°F to +221°F)
PROTECTION CLASS	MEETS NEMA 1,3,4,6P AND IEC IP68



SOURCE DRAWING - FOR REFERENCE ONLY

RELATED DOCUMENTS		3RD ANGLE PROJECTION		THIS DRAWING IS PROPERTY OF TURCK INC. USE OF THIS DOCUMENT WITHOUT WRITTEN PERMISSION IS PROHIBITED.		 High Technology Sensors and Automation Controls		3000 CAMPUS DRIVE MINNEAPOLIS, MN 55441 1-800-544-7769 (763) 553-7300 (763) 553-0708 fax turck.com	
1.			ALL DIMENSIONS DISPLAYED ON THIS DRAWING ARE FOR REFERENCE ONLY	DRFT	RJP	DATE	09/05/96	DESCRIPTION FSFDL 4.5	
2.				DSGN		SCALE	1=.5		
3.		UNIT OF MEASUREMENT		MILLIMETER [INCH]		IDENTIFICATION NO.		REV	
4.		CONTACT TURCK FOR MORE INFORMATION		DO NOT SCALE THIS DRAWING		U5118-7		D	
D	DRAWING PROCESSED AS PART OF ECO 33971	CBM	04/07/11	33971	FILE: U5118-7		SHEET 1 OF 1		
REV	DESCRIPTION	BY	DATE	ECO NO.					