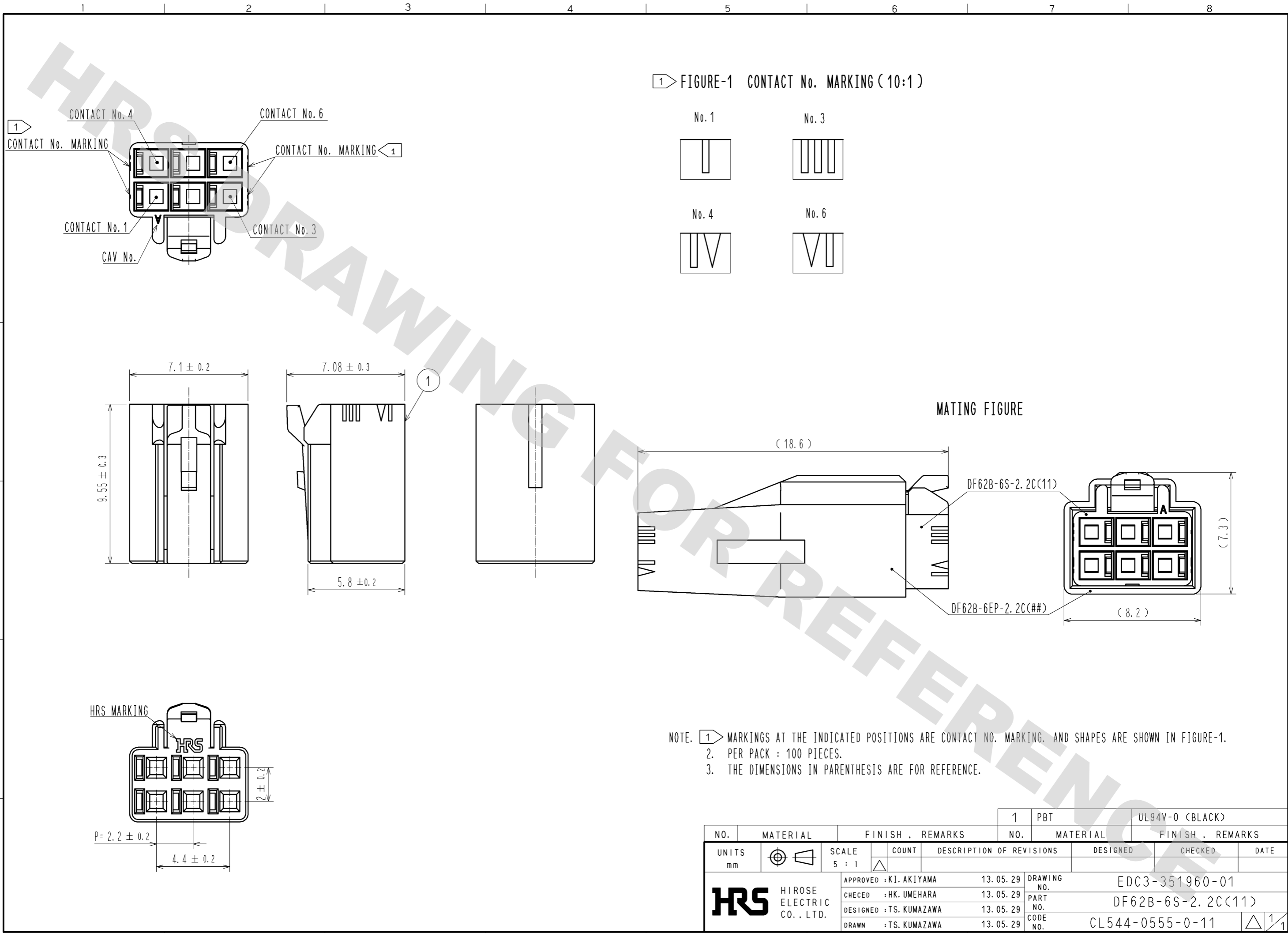
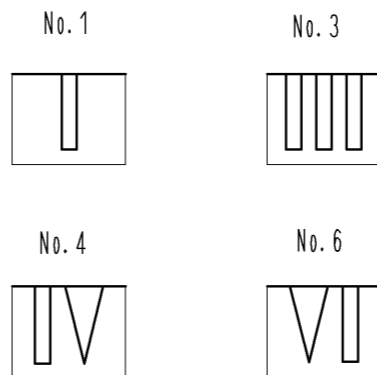


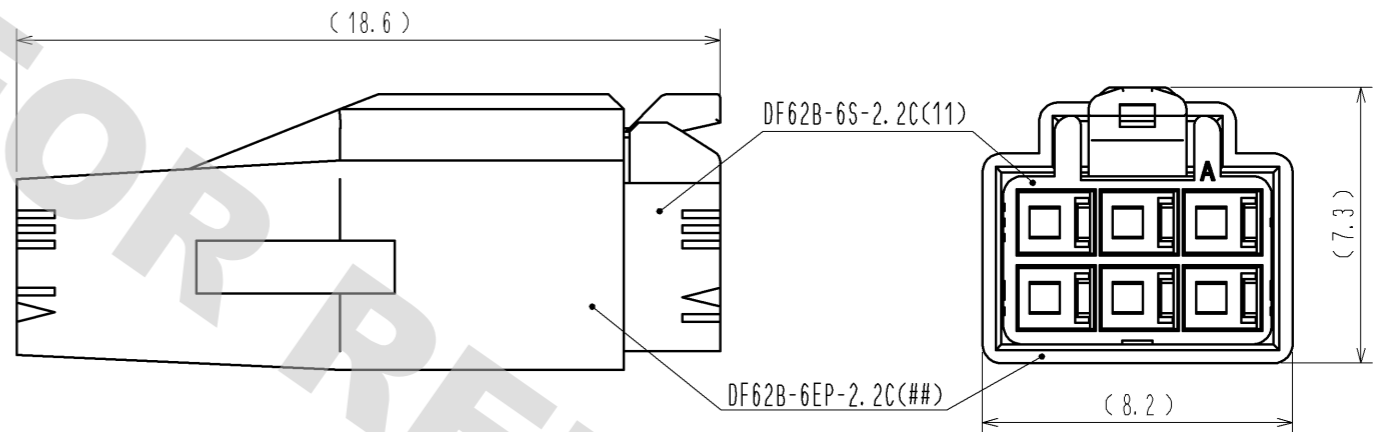
DRAWING FOR REFERENCE: This is subject to change without notice  
12/05/2013



1> FIGURE-1 CONTACT No. MARKING (10:1)



MATING FIGURE



NOTE. 1> MARKINGS AT THE INDICATED POSITIONS ARE CONTACT NO. MARKING. AND SHAPES ARE SHOWN IN FIGURE-1.  
2. PER PACK : 100 PIECES.  
3. THE DIMENSIONS IN PARENTHESIS ARE FOR REFERENCE.

NO.		MATERIAL		FINISH . REMARKS		1	PBT	UL94V-0 (BLACK)
UNITS mm		SCALE 5 : 1		COUNT		DESIGNED		CHECKED
HRS		HIROSE ELECTRIC CO., LTD.		APPROVED : KI. AKIYAMA 13. 05. 29		DRAWING NO. EDC3-351960-01		
				CHECKED : HK. UMEHARA 13. 05. 29		PART NO. DF62B-6S-2. 2C(11)		
				DESIGNED : TS. KUMAZAWA 13. 05. 29		CODE NO. CL544-0555-0-11		
				DRAWN : TS. KUMAZAWA 13. 05. 29				1/1