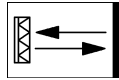


BOS 6K-PU-PR10-S75
Order code: BOS01MJ

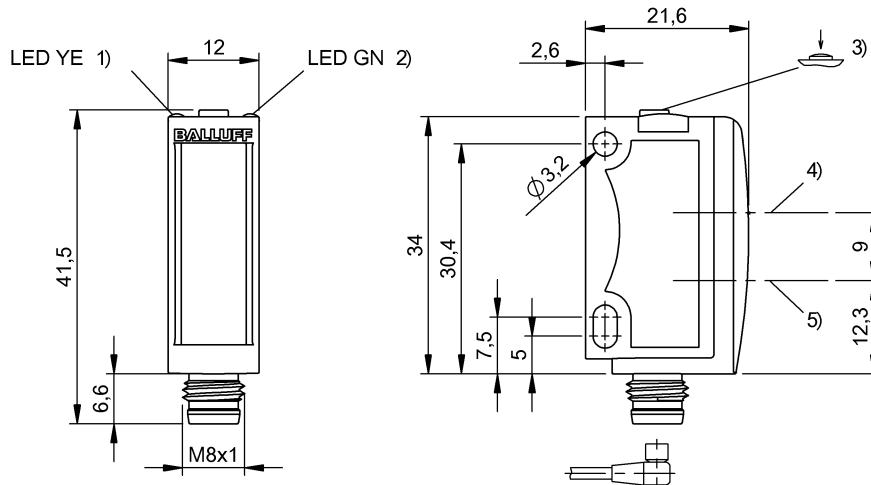
Photoelectric sensor
 Series 6K
 Retro-reflective sensor
 Sn = 6 m, adjustable



BALLUFF

sensors worldwide

DC, direct current
 PNP (1x)
 NO/NC: dark-on/light-on
 1,000 Hz
 LED, red light



1) Output function 2) Power 3) Sensitiv., Light-on/Dark-on 4) Optical axis receiver 5) Optical axis emitter

Basic data

Operating voltage UB DC	10.0 V... 30.0 V
Eff. operating voltage Ue DC	24.0 V
Ripple max. (% of Ue)	12 %
No-load current max. Io at Ue	30 mA
Polarity reversal protected	yes
Indicator	Output function - LED YE Power - LED GN
Adjuster	Key (1x)
Setting	Sensitivity (Sn) Light-on/dark-on Teach-in mode stand./dyn.
Input function	Key disable on/off Same function as key
Ambient temperature Ta	-20 °C... 60 °C

Turn on time ton max.	0.50 ms
Turn off time toff max.	0.50 ms
Voltage drop Ud max. (at Ie)	2.4 V
Short circuit protected	yes

Mechanical data

Style	Block, 90° connection
Dimensions	12.0 mm x 21.6 mm x 41.5 mm
Mounting type	Screw M3
Housing material	ABS
Sensing face material	PMMA
Degree of protec. per IEC60529	IP67
Degree of protec. per DIN40050	IP69K
Connection type	Connector
Connector type	M8x1-S75

Optical data

Principle of optical operation	Retro-reflective sensor
Operating range Ro	0...6 m
Reference reflector	BOS R-1
Blind zone	100 mm
Light type	LED, red light
Wavelength	660 nm
Polarizing filter	yes
Light spot size, typical	600 mm x 600 mm at 7 m
Beam characteristic	Divergent
Ambient light max.	5,000 Lux

Approval

Approvals / Conformity	CE cULus
------------------------	-------------

Remarks

Basic standard IEC 60947-5-2
 The sensor is functional again after the overload has been eliminated.
 Operating object (test target): Gray card, 200 x 200, 90 % remission, lateral approach, direction of movement vertical to plane of lens axes.
 Only for NFPA 79 applications (machines with a supply voltage of maximum 600 volts). Device shall be connected only by using any R/C (CYJV2) cord, having suitable ratings.
 For additional information, refer to user's guide.
 Order accessories separately.
 Do not press key using a pointed tool.
 For use as UL listed product the Ambient temperature Ta max. may not exceed the value of 50°C.

Electrical data

Eff. operating distance Sr	6,000 mm
Switching output	PNP (1x)
Switching function	NO/NC
Eff. operating current Ie	100 mA
Switching freq. f max. (at Ue)	1,000 Hz

000000118091/226400/20140718

www.balluff.com

Balluff Germany: +49 7158 173-0, +49 7158 173-370
 Balluff USA: +1-800-543-8390
 Balluff China: +86 21 5089 9970

1 (2)
 Print Date: 16.03.2016
 Selection date: 16.03.2016

BOS 6K-PU-PR10-S75
Order code: BOS01MJ

Photoelectric sensor
Series 6K
Retro-reflective sensor
Sn = 6 m, adjustable

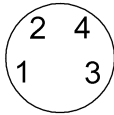
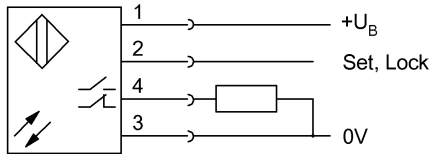
DC, direct current
PNP (1x)
NO/NC: dark-on/light-on
1,000 Hz
LED, red light

BALLUFF
sensors worldwide



Definitions see general catalog

Subject to change without notice.



000000118091/226400/20140718