



Main

Range of product	Harmony XAP
Product or component type	Die-cast empty control station
Device short name	XAPJ
Product front plate size	80 x 80 mm
Usable depth	49 mm
Number of cut-out	Undrilled
Colour of base of enclosure	Blue
Colour of cover	Yellow
Material	Zinc alloy
Cable entry	1 hole with blanking plug for cable gland with ≤ 14 mm 1 hole with blanking plug for cable gland with ≤ 14 mm 1 hole without blanking plug for cable gland with ≤ 14 mm
Product mounting	Flush mounting
IP degree of protection	IP65 conforming to IEC 60529 IP69K IP69 conforming to NF C 20-010

Complementary

Product weight	0.46 kg
----------------	---------

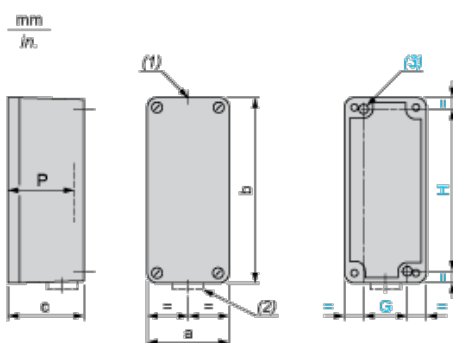
Environment

protective treatment	TC
ambient air temperature for storage	-40...70 °C
ambient air temperature for operation	-40...70 °C
class of protection against electric shock	Class I conforming to IEC 60536 Class I conforming to NF C 20-030

Contractual warranty

Warranty period	18 months
-----------------	-----------

Dimensions and Fixing



- (1) 1 hole, without blanking plug, for cable gland with 14 mm/0.55 in. maximum clamping capacity
- (2) 1 hole, with blanking plug (protrusion 6 mm/0.24 in.), for cable gland with 14 mm/0.55 in. maximum clamping capacity
- (3) 2 x $\varnothing 5.6$ mm/0.22 in. holes, depth 20 mm/0.79 in.

a		b		c		G		H		P	
mm	in.	mm	in.	mm	in.	mm	in.	mm	in.	mm	in.
80	3.15	80	3.15	51.5	2.03	50	1.97	65	2.56	49	1.93