

# DATASHEET

## ITEM: 36021FR

### WHEEL AS 150X40/50 BB SWIVEL M40 +BRAKE

#### WHEEL SERIE

Wheels with cast soft polyurethane coating 87 Sh.A on polyamide 6 center.

Wheel fitted with ball bearings.

#### FORK DESCRIPTION

M40 series, medium-heavy duty pressed steel forks, swivel with double ball races & 'water resistant' protections. Zinco-plated.

Trailing foot brake - total stop.

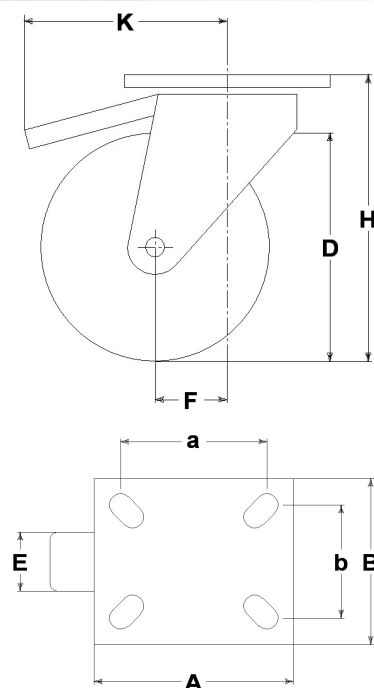


#### TECHNICAL DETAILS

Wheel diameter	(D)	150 mm
Tyre width	(E)	40 mm
Bore diameter	(d)	15 mm
Reference weight		2,182 kg
Overall height	(H)	194 mm
Top plate outer dimensions	(AxB)	135x110 mm
Bolt hole spacing	(axb)	96x56 mm
Bolt hole spacing	(axb)	105x75 mm
Bolt hole spacing	(axb)	105x80 mm
Fixing bolt diameter	(g)	10 mm
Offset	(F)	48 mm
Fork width	(U)	50 mm
Load capacity		300 kg

#### Possible options :

Wheel replacement	35020	CC
Brake	FR	



#### GENERAL INFORMATION / RECOMMENDATIONS AND WARNINGS

The cited text and the complete catalogue in their most up-dated versions are available in our web-site [www.lagspa.eu/web/downloads](http://www.lagspa.eu/web/downloads). The dimensions, descriptions, specifications and illustrations herein are indicative and subject to variations without notice. The fact that products are illustrated herein does not necessarily imply they are available from stock nor does it place us under any obligation to supply them. Tests carried out refer to the original products with original accessories: the replacement of one of the components with others of different manufacture might prevent the same results from being achieved and will automatically invalidate any guarantee. Please contact our technical service concerning any special application.