

Ultra compact and efficient 1-stage filter in ECO design for 3-phase systems



Description

- Screw-on mounting on chassis, upright or lengthwise
- High attenuation value,
- Protection class I
- Bolts and nuts
- Cost optimized filter design with excellent price / performance ratio
- Very light due to partial potting

Approvals

- VDE Certificate Number: 40028851
- UL File Number: pending

Characteristics

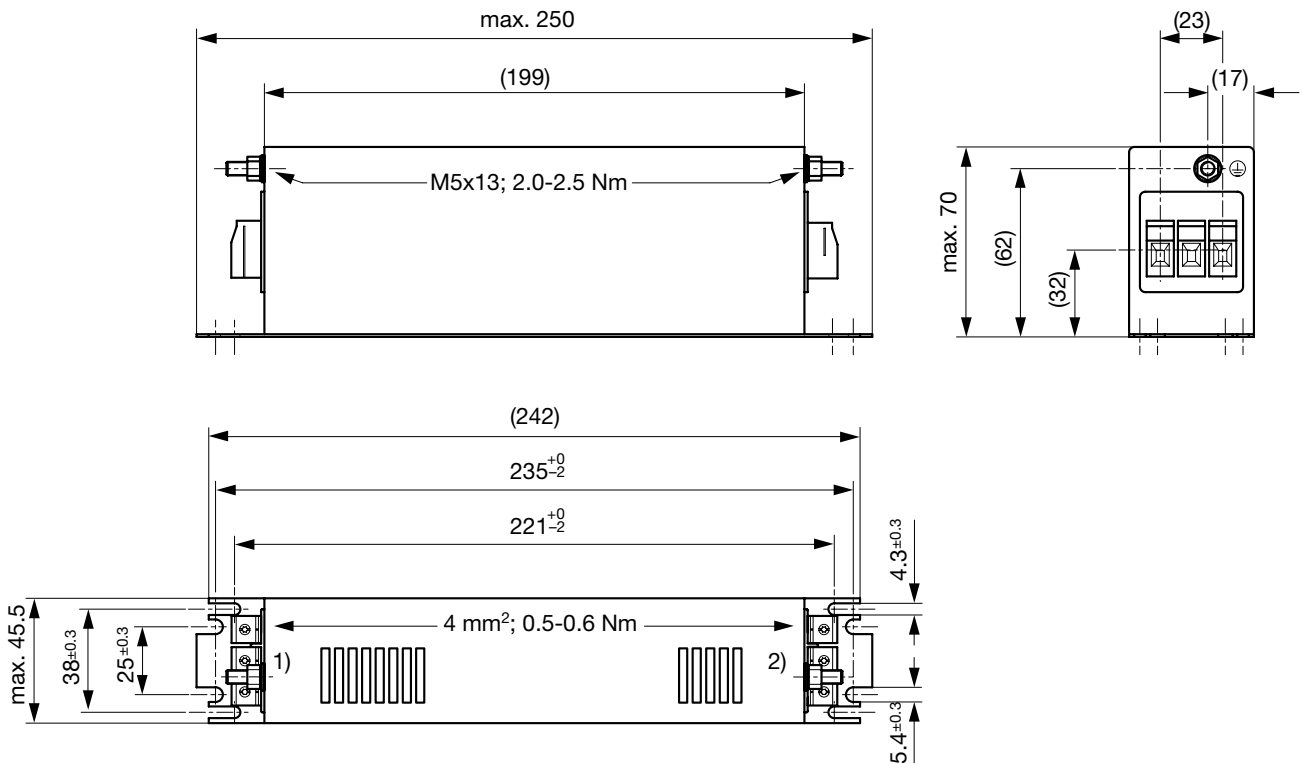
- Voltage rating 480 VAC for world wide acceptance
- Especially designed for industrial applications such as: Frequency Converters, Stepper Motor Drives, UPS-Systems, Inverters
- Suitable for use in equipment according to IEC/UL 60950

Weblinks

[pdf-datasheet](#), [html-datasheet](#), [General Product Information](#), [Approvals](#), [CE declaration of conformity](#), [RoHS](#), [CHINA-RoHS](#), [REACH](#), [e-Shop](#), [SCHURTER-Stock-Check](#), [Distributor-Stock-Check](#), [Detailed request for product](#)

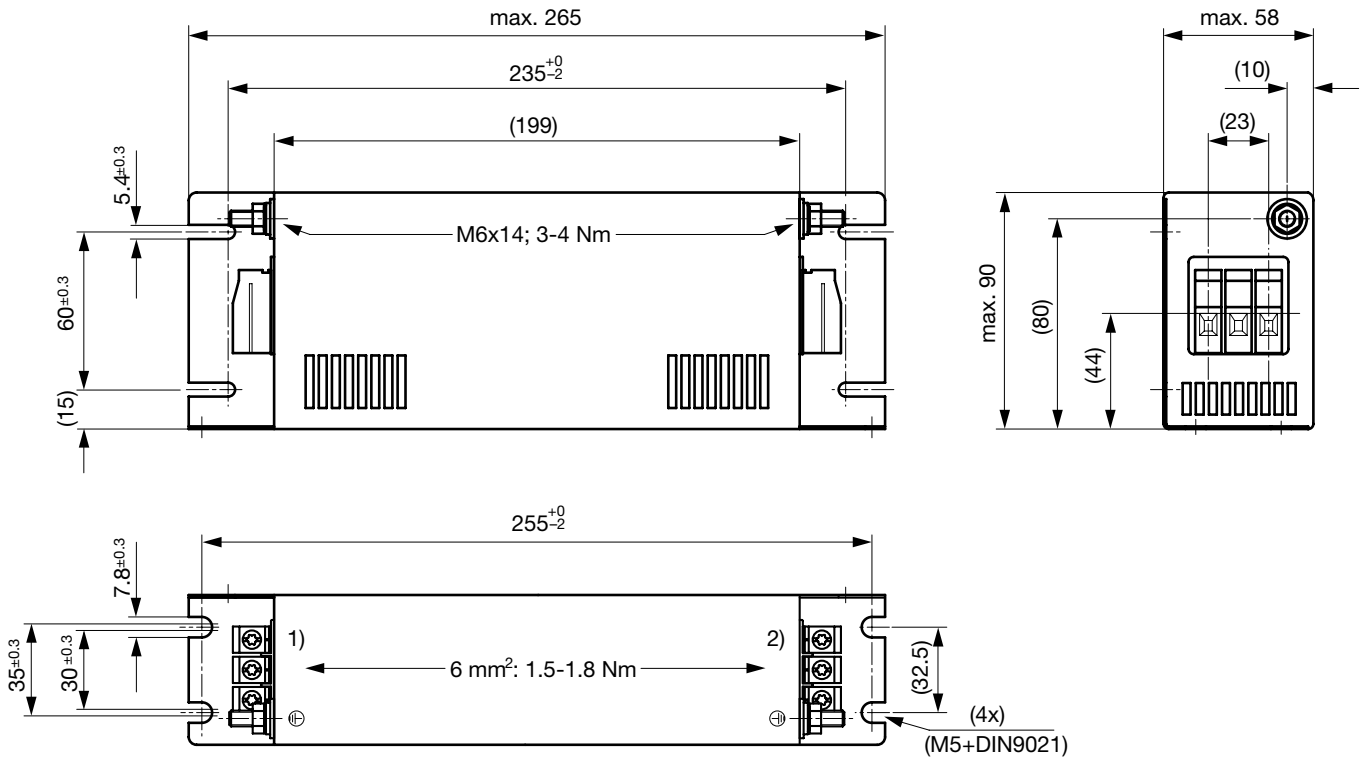
Dimension

Case 1C



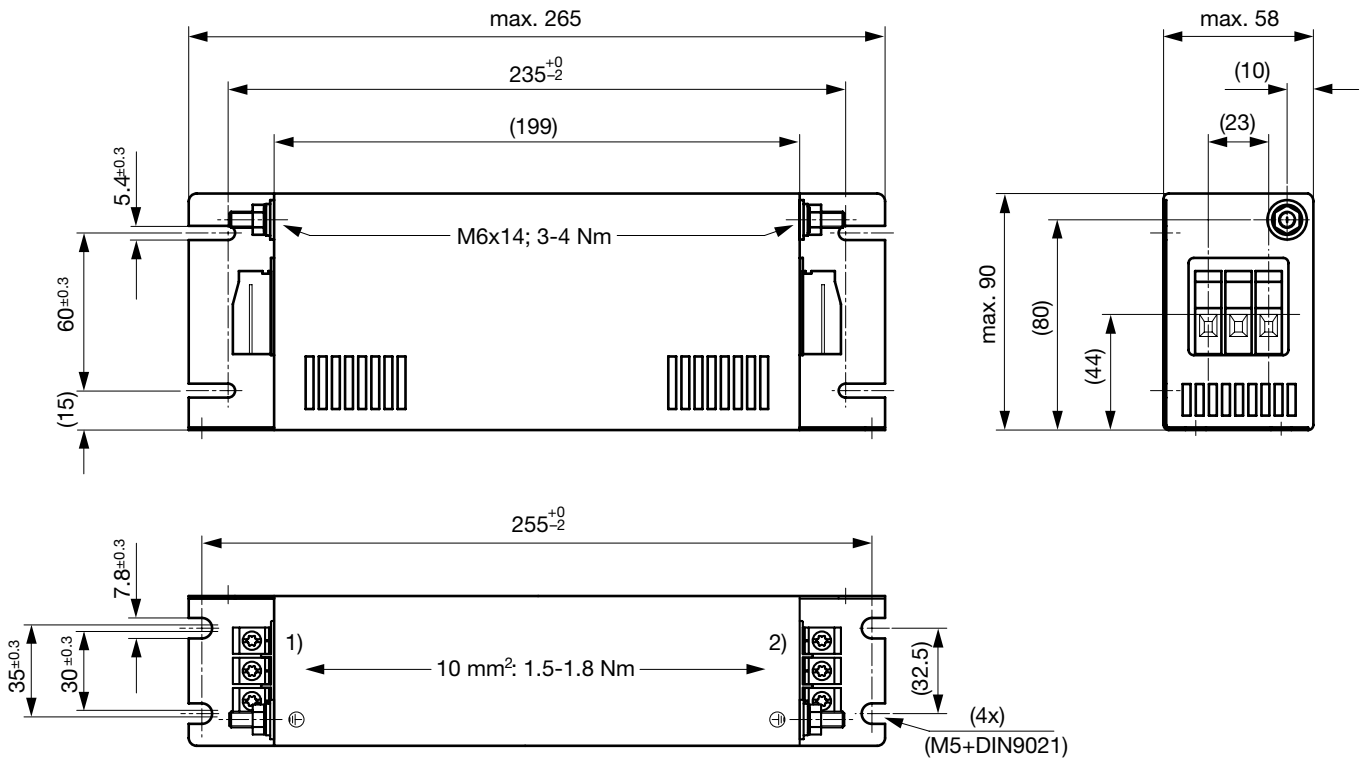
- 1) Line
- 2) Load

Case 1D-6



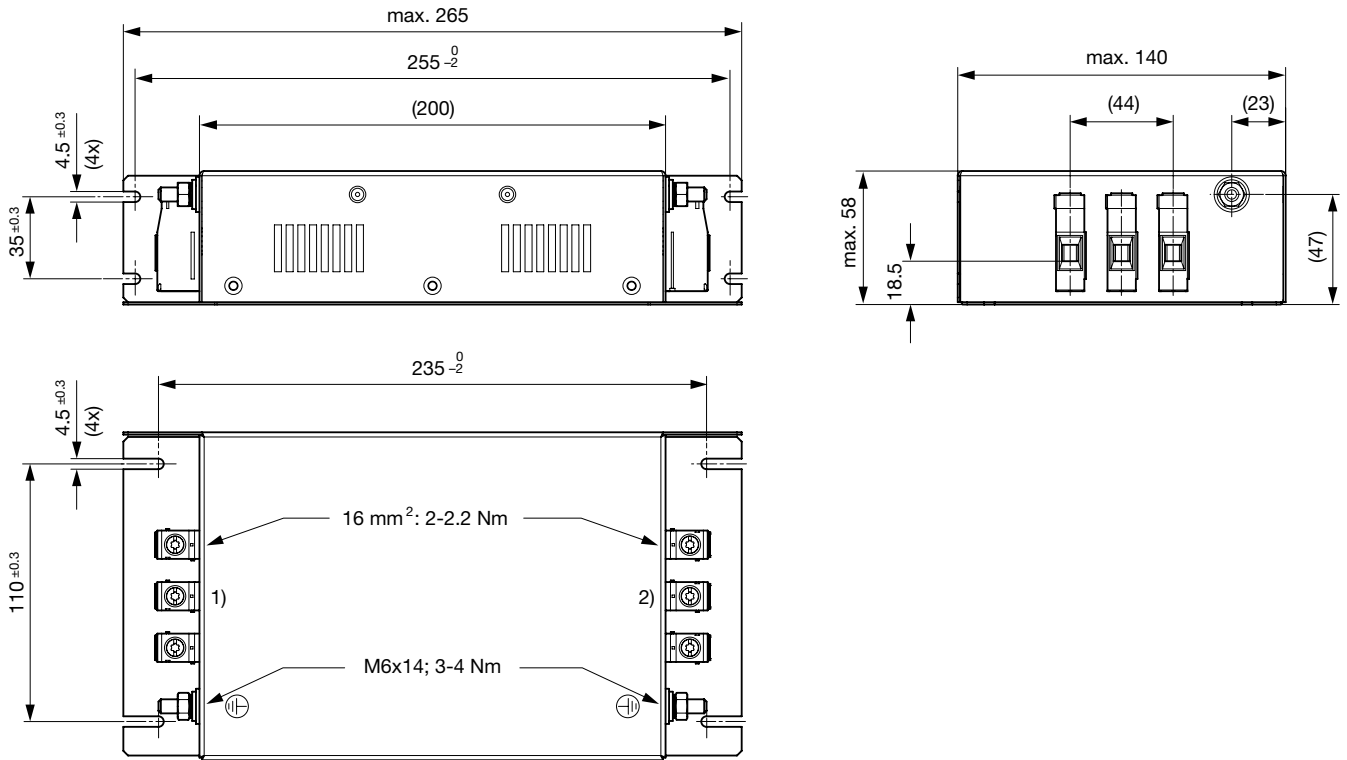
- 1) Line
- 2) Load

Case 1D-10



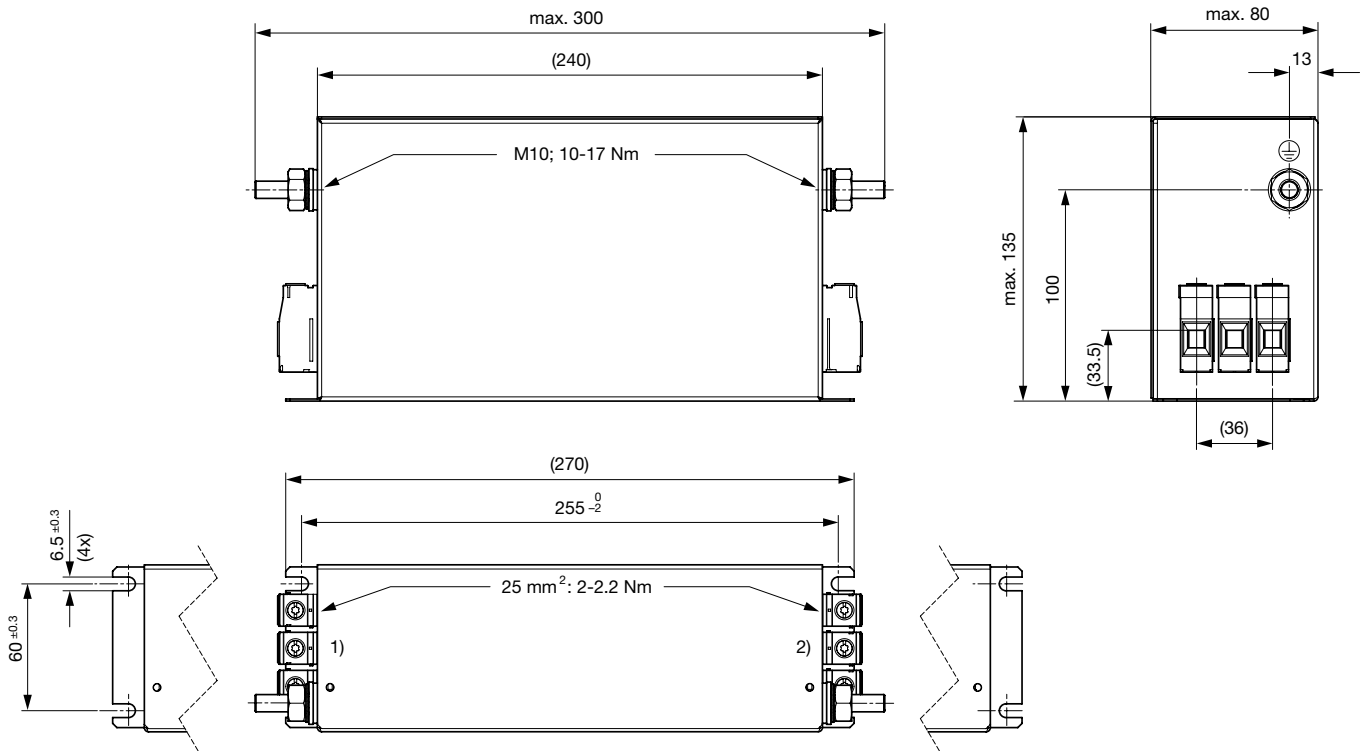
- 1) Line
- 2) Load

Case 1E



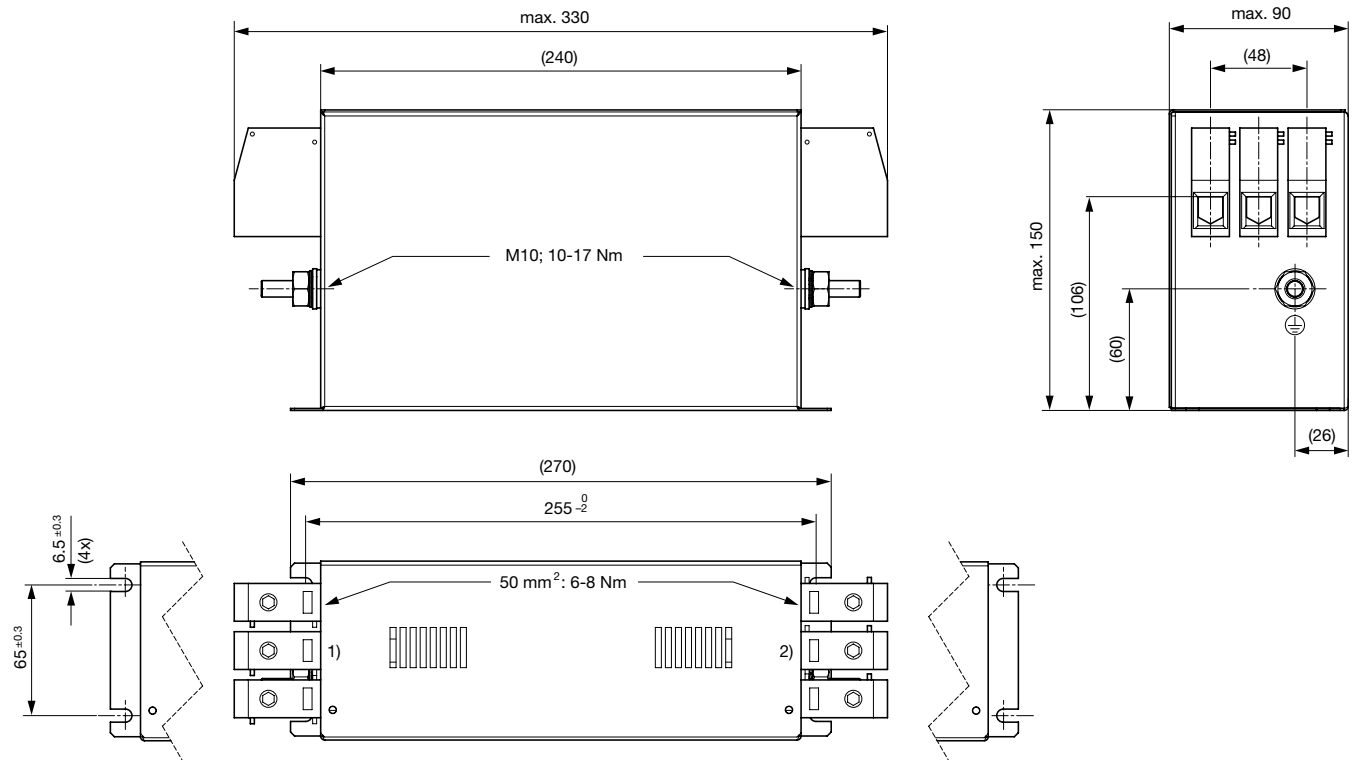
- 1) Line
- 2) Load

Case 1T



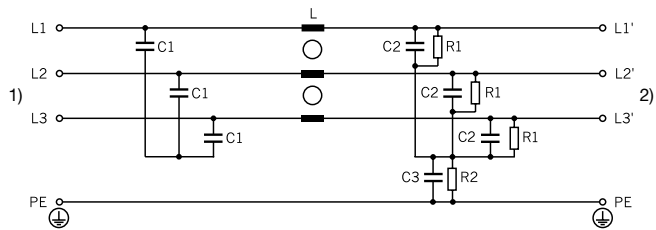
- 1) Line
- 2) Load

Case 1G



- 1) Line
- 2) Load

Diagrams



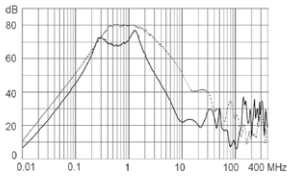
- 1) Line
- 2) Load

Attenuation Loss

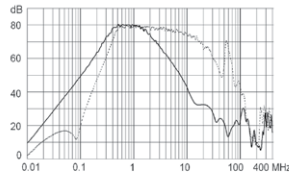
--- differential mode ____ common mode

Industrial version

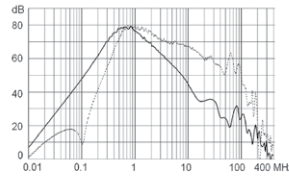
16A (FMAC-091C-1610)



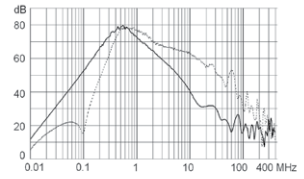
25A (FMAC-091C-2510)



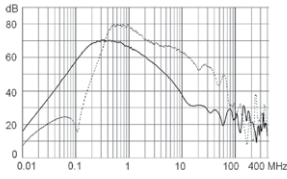
36A (FMAC-091D-3610)



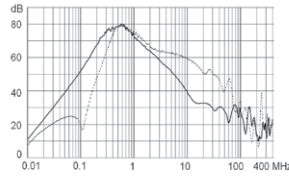
50A (FMAC-091D-5010)



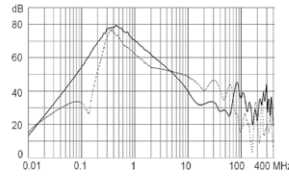
55A (FMAC-091D-5510)



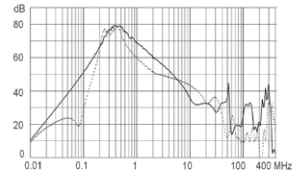
64A (FMAC-091E-6410)



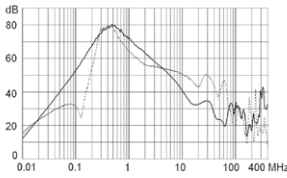
80A (FMAC-091T-8010)



110A (FMAC-091G-H110)



150A (FMAC-091G-H210)



All Variants [nicht konfiguriert] - element_name:EMV_Variantentabelle_FMAC_EMV03: id:48589

Rated	Cha-	Rated	Tripped	Lea-	Contact	Weight	Screw	Housing	Order
-------	------	-------	---------	------	---------	--------	-------	---------	-------

--	--	--	--	--	--	--	--	--	--

Most Popular.

Availability for all products can be searched real-time: <http://www.schurter.com/en/Stock-Check/Stock-Check-SCHURTER>

- 1) Nominal leakage current acc. to IEC60950 - 5.2.5. under normal operating conditions. Note: worst case leakage current acc. to IEC60950 - Annex G4 (situation with two interrupted lines) can be much higher.
- 2) Maximum conductor cross section (wire gauge) to be used; a comparative table for AWG and mm² values can be found in the general product information www.schurter.com/emc_info

Packaging unit 1 Pcs