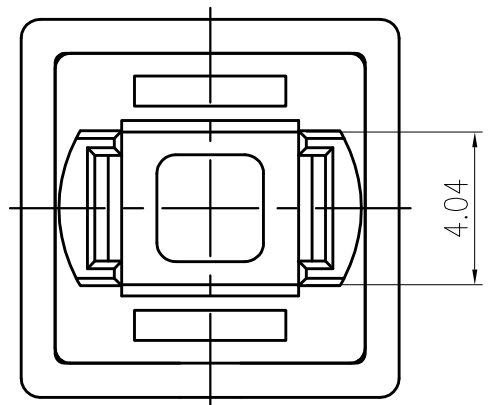
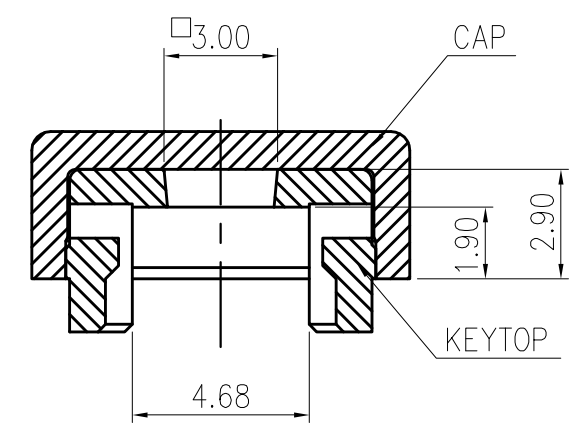
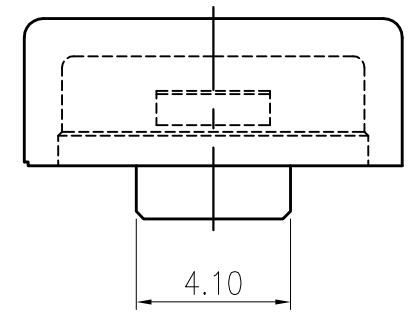
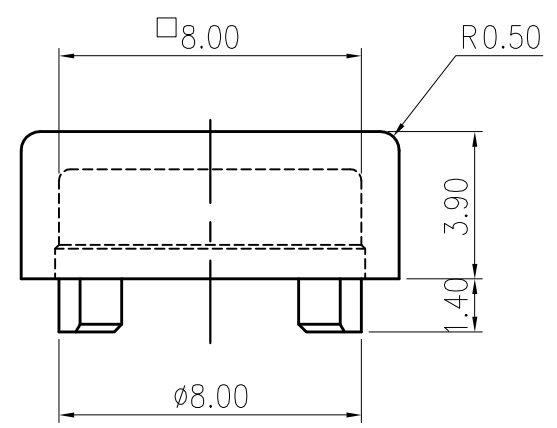
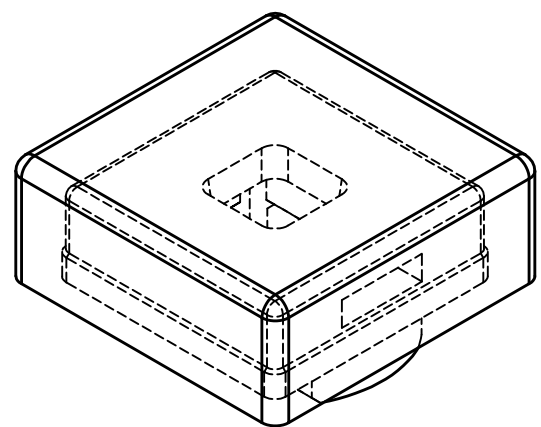
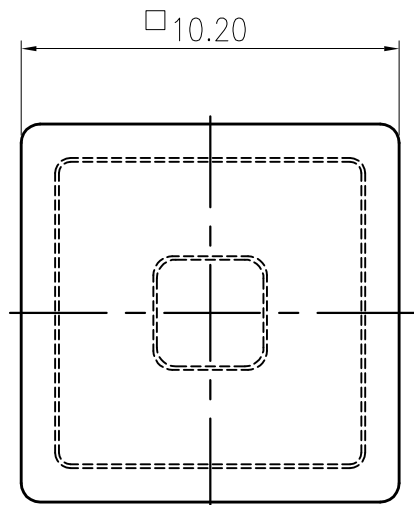


1 2 3 4 5 6 7 8 9 10

A
B
C
D
E
F
G
H


A
B
C
D
E
F
G
H



PART NO.	COLOR	
	CAP	KEYTOP
KTL-SAY	CLEAR	YELLOW
KTL-SAB	CLEAR	BLUE
KTL-SAR	CLEAR	RED
KTL-SAI	CLEAR	IVOLY
KTL-SAK	CLEAR	BLACK
KTL-SAG	CLEAR	GREEN
KTL-SAS	CLEAR	SALMON

NOTE:
1. ALL DIMENSIONS ARE IN MILLIMETERS.
BRACKETED DIMENSIONS ARE IN INCHES.
2. GENERAL TOLERANCES ±0.3mm

ZONE	REV.	DESCRIPTION	DATE	APPD.
	A	DWG.REL.		

APPD:	QTY:	 圓達實業股份有限公司 DIPTRONICS MANUFACTURING INC.	PART NAME:
CHKD:	SCALE: 5/1		CAP
DR: <i>Austin</i>	REV: A	UNITS: mm	DWG NO:
DESIGN: <i>Austin</i>		PART NO: KTL-SA□	KTL-SA
		MAT L:	
		FINISH:	