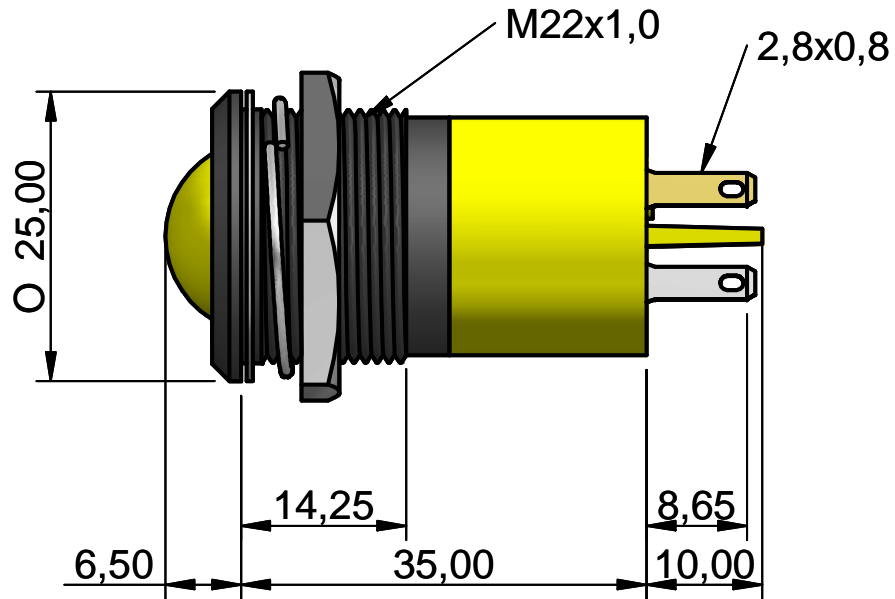


RS ITEM NO 209-743

ITEM NO Q22PP1BPXXY110ELT



<b>LED/Multiled</b>	<i>LED</i>	<b>Optimum voltage (V)</b>	<i>130Vac</i>	<b>Intensity</b>	<i>60mcd</i>
<b>Mounting Size</b>	<i>22mm</i>	<b>Rectifier</b>	<i>Half Wave</i>		
<b>Mounting Finish</b>	<i>Plastic Black Bezel</i>	<b>AC current</b>	<i>6mA</i>		
<b>Protection</b>	<i>IP67</i>	<b>DC current</b>	<i>-</i>		
<b>Mount Holder</b>	<i>Prominent</i>	<b>Voltage Tolerance(%)</b>	<i>10%</i>		
<b>Chip Qty</b>	<i>6</i>	<b>Optimum temperature (°C)</b>	<i>-40°C...+85°C</i>		
<b>Indicator colour</b>	<i>Yellow</i>	<b>Storage temperature (°C)</b>	<i>-</i>		
<b>Wavelength (nm)</b>	<i>588</i>	<b>Contact Tab x 4</b>	<i>2.8x0.8mm</i>		



*Dimension in mm (typical), not to scale.  
We reserve the right to make changes without further notice to this product to improve reliability, function or design.*