

IPT 3181-C and IPT 3181-CF Protective Receptacle Covers

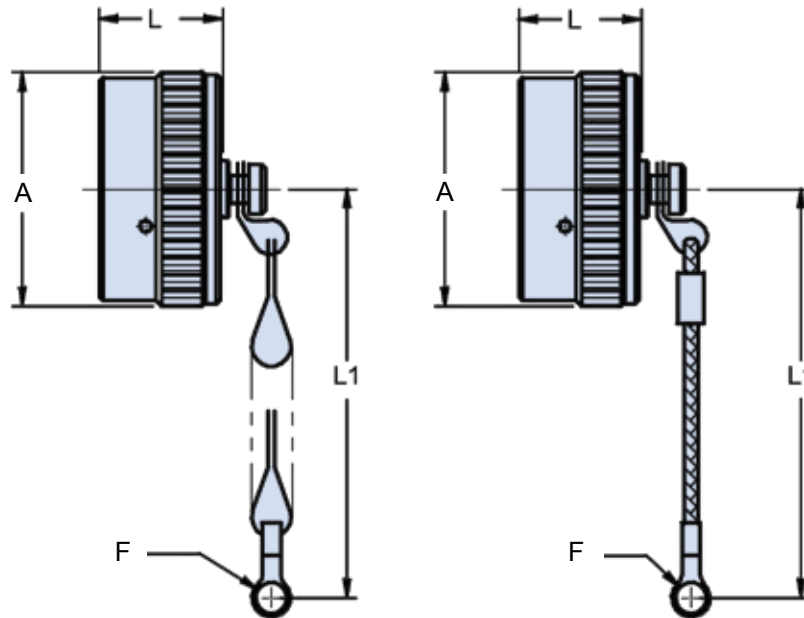
IPT 3181-10 C F2

MIL-C-26482
Accessory

Basic Part Number
and Shell Size

Lanyard Style
C - Chain
CF - Nylon Chord

Finish Options
(See Table II)



Example: IPT3181-18C
(Stainless Steel Chain)

Example: IPT3181-18CF
(Nylon Cord)

TABLE II:

Shell Finish

Omit for Standard Cad/Olive Drab Finish

F2 - Bright Nickel Plating (RoHs)

F6 - Black Electrodeposited Paint (RoHs)

F7 - Black Zn-Co Plating (RoHs)

F8 - Olive Drab Zn-Co Plating

TABLE I: DIMENSIONS

Commital P/N	Shell size	A Max.	F +0.2 -0	L +0.5 -0	L1 min.
IPT3181- 8C	8	17.95	4.3	14.50	76.2
IPT3181-10C	10	20.70	4.3	14.50	76.2
IPT3181-12C	12	25.40	4.3	14.50	88.9
IPT3181-14C	14	28.65	4.3	14.50	88.9
IPT3181-16C	16	31.90	4.3	14.50	88.9
IPT3181-18C	18	34.70	4.3	14.50	88.9
IPT3181-20C	20	38.00	4.3	14.50	101.6
IPT3181-22C	22	41.25	4.3	14.50	101.6
IPT3181-24C	24	44.40	4.3	15.55	101.6