

Technical Data and Replacement Parts Kits

Replacement Parts and Accessories

Use With Device Type	Description	Order Class 9998 Type...
T and FT	Replacement Contact kit for Types TS, TU, FTS and FTU	E2934-S923-G1
T and FT	Replacement Spring kit for Types Nos. 1 to 11	E2934-S925-G1
T and FT	Replacement Gasket kit	E2934-S926-G1
T	Replacement Shaft kit for Type TU	E2934-S928-G1
T	Replacement Shaft kit for Type TS	E2934-S929-G1
FT	Replacement Shaft kit Type FTU	E2934-S931-G1
T and FT	Accessory Conduit Seal (5 hole)	Class 9007 Type 31032-488-01

Technical Data

Mechanical Data

Operating Characteristics

The overtravel figures shown are maximum values. It is recommended that 5 to 10 degrees overtravel be used to obtain the optimum mechanical life from the limit switch. The overtravel shown is a feature of the switch that allows for set up adjustment and emergency operation where excessive operating arm travel is encountered or required.

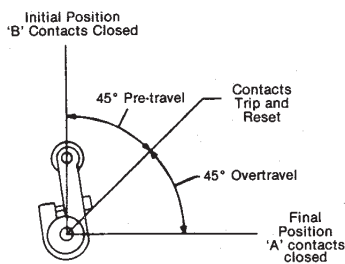
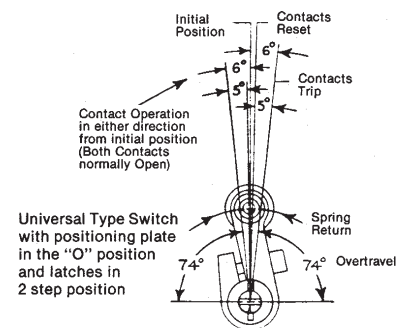
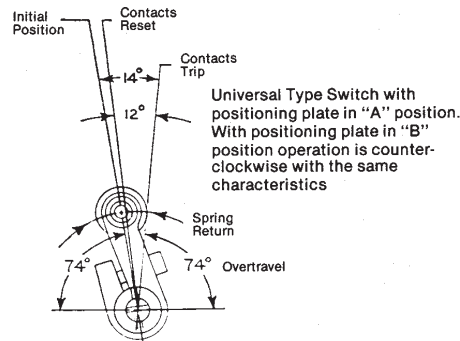
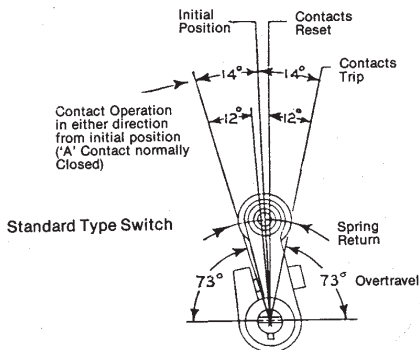
The location of the operating arm may reduce the actual amount of overtravel due to interference with the switch enclosure.

Type of Switch	Operating Force to Trip	Repeat Accuracy With Arm Length mm	Accuracy mm	Overtravel
Standard	10cm-kg	38	±0.05	73° †
Universal	12cm-kg*	38	±0.05	74° †

* Except TU-7 & 8 which require 2.9cm-kg and TU-12 which require 9cm-kg.

† Nominal value. Overtravel varies with operating sequence.

Cam Track Data



Standard and Universal Type Switches Operating Sequence No. 12

Operating Sequence No. 12 maintained contact action. All positions can be reversed. Clockwise operation, counter-clockwise reset shown.

Note: Electrical ratings apply when switch is operated with quick make and break contact action. If latches are removed to obtain slow make and break action the switch has the following pilot duty rating: 20-125 volts A.C. of 6 amperes and 125-600 volts A.C. of 720 VA.

Electrical Ratings

Contact Arrangement	AC Volts	AC Pilot Duty Amperes		DC Volts	DC Pilot Duty Amps
		Break ●	Make		
Single Pole	120	20	150	125	5.0
Double Throw	240	12.5	75	250	1.0
	480	6.25	37.5	600	0.2
	600	5	30		

● A.C. Pilot duty rating is based on a 0.35 power factor.

●● D.C. Pilot duty rating is based on inductive loads such as coils and solenoids.

Ordering Instructions

State... Class and Type

Eg: Class 9998 Type E2934-S925-G1