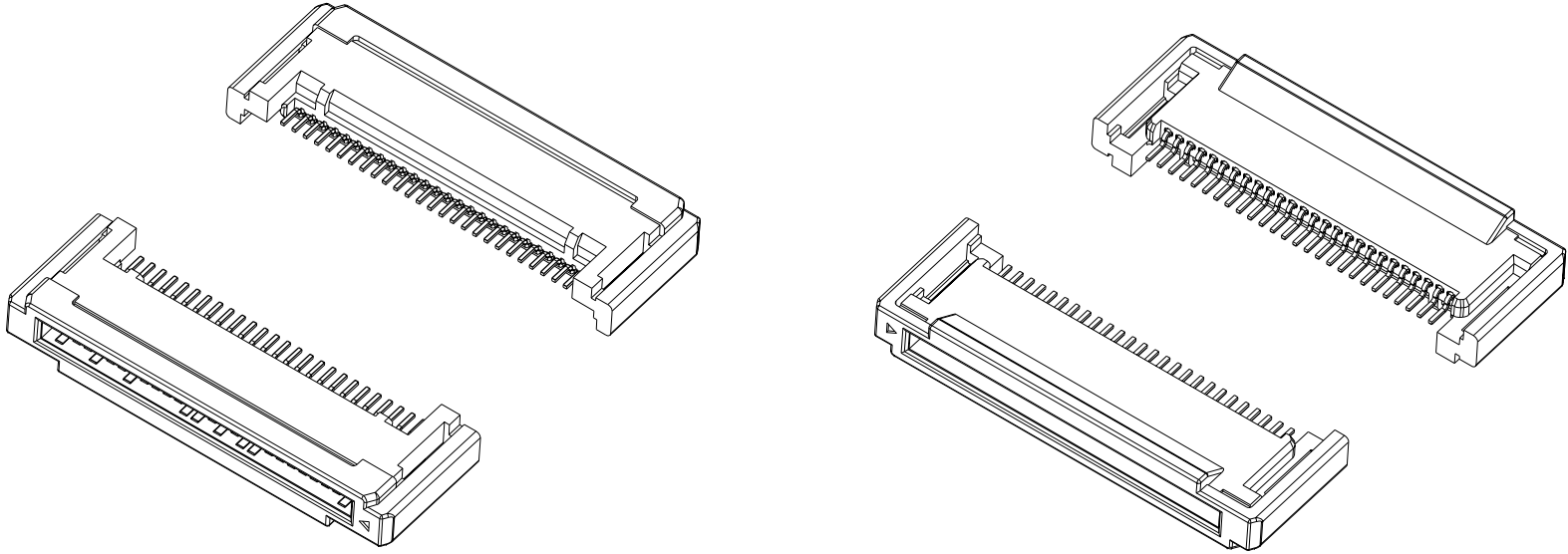


Tous droits strictement réservés. Reproduction ou communication à des tiers interdite sous quelque forme que ce soit sans autorisation écrite du propriétaire. Propriété de © FCI. Droits de reproduction FCI.



All rights strictly reserved. Reproduction or issue to third parties in any form whatever is not permitted without written authority from the proprietor Property of FCI. Copyright FCI.

PRODUCT NUMBER	REMARK
10030570-1XXXLF	SEE NOTE 3
10030570-2XXXLF	SEE NOTE 3
10030570-3XXXLF	SEE NOTE 3



- NOTES:
- MATERIAL:
HOUSING : HIGH TEMPERATURE THERMOPLASTIC,
UL 94V-0 FLAME RETARDANT.
TERMINAL : COPPER ALLOY.
PLATING SPEC. AS BELOW :
Ni 50u" UNDER PLATED.
Au 30u" OVER CONTACT AREA. (ONE SIDE)
Tin 120u" OVER SOLDERING AREA.
 - PRODUCT PERFORMANCE PER SPEC. GS-12-292, "LF" MEANS LEAD FREE.
 - PART NUMBER SCHEME :
10030570- X X X X LF

- PACKAGING
2 : TAPE AND REEL
3 : TRAY
- CONTACT PLATING
1 : GOLD
2 : GXT
- PLASTIC COLOR
1 : BLACK
- SOLDER TAIL OFFSET
1 : +0.00
2 : +0.30
3 : +0.60

4. THIS PRODUCT IS ROHS COMPLIANT, AND MEETS EUROPEAN UNION DIRECTIVES AND OTHER COUNTRY REGULATIONS AS PER GS-22-008.

tolerance unless otherwise specified	
linear	.X ± .30 .XX ± .15 .XXX ± .08
angles	X° ± 2°

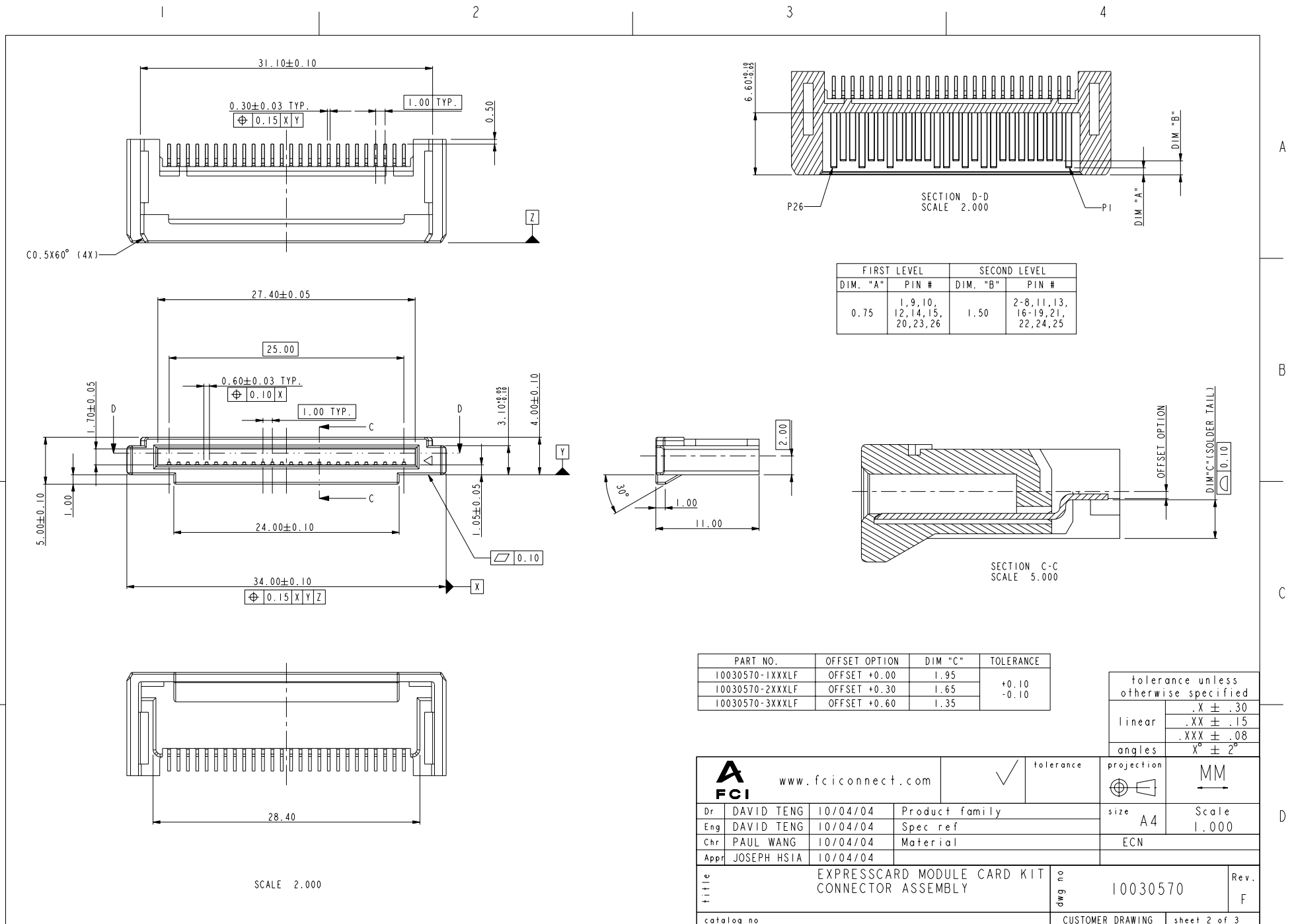
rev	ecn no	dr	date
A	T04-0382	D T	11/04/04
B	T05-0019	D T	01/25/05
C	T05-0032	D T	02/17/05
D	T05-0099	D T	05/09/05
E	T05-0228	D T	10/18/05
F	T06-0057	D T	04/17/06

www.fciconnect.com	<input checked="" type="checkbox"/> tolerance	projection size A4	MM Scale 1.000
Chr PAUL WANG 10/04/04 Material	Appr JOSEPH HSIA 10/04/04	ECN	
title EXPRESSCARD MODULE CARD KIT CONNECTOR ASSEMBLY		dwg no 10030570	Rev. F
catalog no		CUSTOMER DRAWING	sheet 1 of 3

Tous droits strictement réservés. Reproduction ou communication à des tiers interdite sous quelque forme que ce soit sans autorisation écrite du propriétaire. Propriété de FCI. Droits de reproduction FCI.



All rights strictly reserved. Reproduction or issue to third parties in any form whatever is not permitted without written authority from the proprietor Property of FCI. Copyright FCI.



FIRST LEVEL		SECOND LEVEL	
DIM. "A"	PIN #	DIM. "B"	PIN #
0.75	1, 9, 10, 12, 14, 15, 20, 23, 26	1.50	2-8, 11, 13, 16-19, 21, 22, 24, 25

PART NO.	OFFSET OPTION	DIM "C"	TOLERANCE
10030570-1XXXLF	OFFSET +0.00	1.95	+0.10 -0.10
10030570-2XXXLF	OFFSET +0.30	1.65	
10030570-3XXXLF	OFFSET +0.60	1.35	

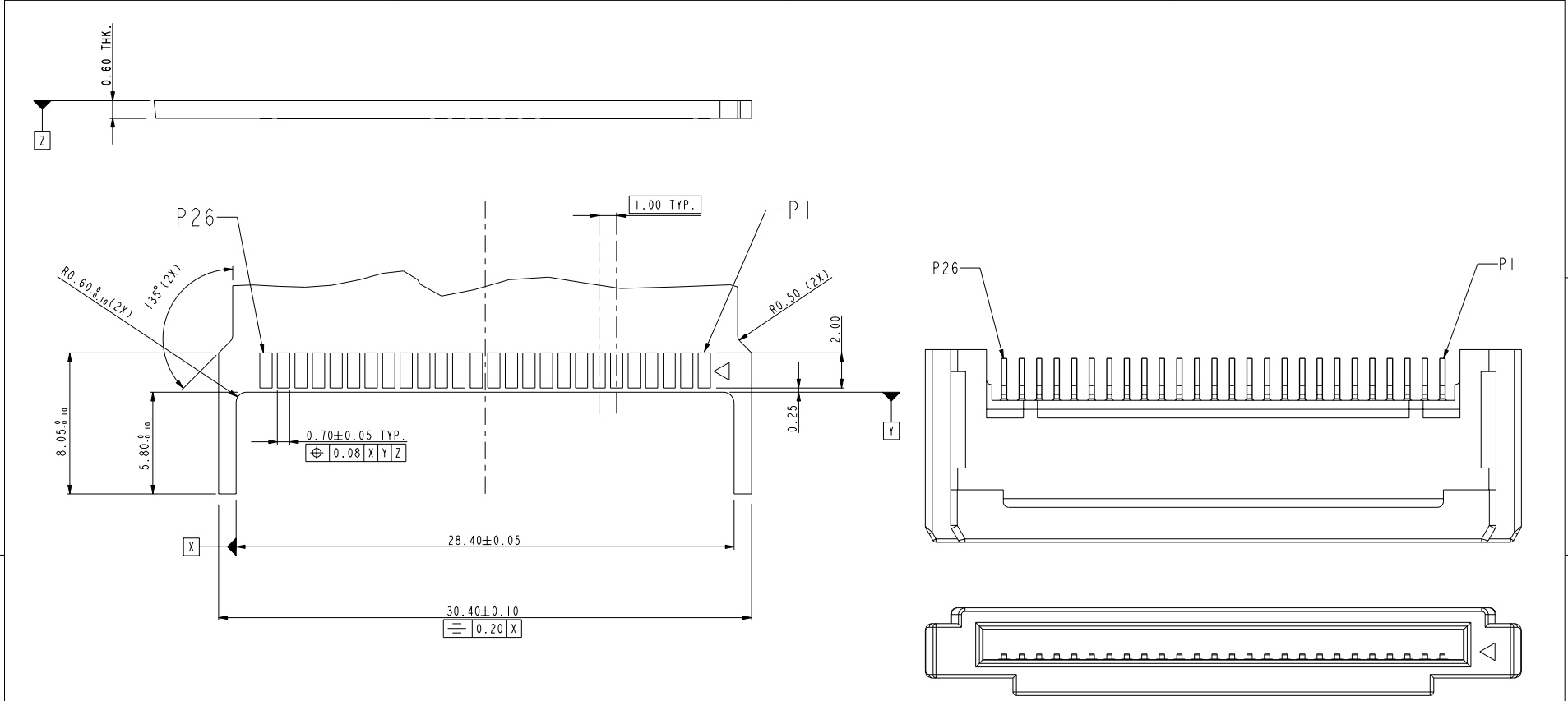
tolerance unless otherwise specified	
linear	.X ± .30 .XX ± .15 .XXX ± .08
angles	X° ± 2°

www.fciconnect.com		tolerance	projection	MM
Dr	DAVID TENG	10/04/04	Product family	size
Eng	DAVID TENG	10/04/04	Spec ref	A4
Chr	PAUL WANG	10/04/04	Material	Scale
Appr	JOSEPH HSIA	10/04/04	ECN	1.000
Title			EXPRESSCARD MODULE CARD KIT	dwg no
			CONNECTOR ASSEMBLY	10030570
catalog no			CUSTOMER DRAWING	Rev.
			sheet 2 of 3	F

Tous droits strictement réservés. Reproduction ou communication à des tiers interdite sous quelque forme que ce soit sans autorisation écrite du propriétaire. Propriété de c FCI. Droits de reproduction FCI.



All rights strictly reserved. Reproduction or issue to third parties in any form whatever is not permitted without written authority from the proprietor. Property of FCI. Copyright FCI.



RECOMMENDED PCB LAYOUT

www.fciconnect.com				<input checked="" type="checkbox"/> tolerance	tolerance unless otherwise specified	
					linear	.X ± .30
Dr DAVID TENG 10/04/04 Product family				<input type="checkbox"/> projection	MM	
Eng DAVID TENG 10/04/04 Spec ref					size A4	Scale 1.000
Chr PAUL WANG 10/04/04 Material				ECN		
Appr JOSEPH HSIA 10/04/04						
title EXPRESSCARD MODULE CARD KIT CONNECTOR ASSEMBLY			dwg no 10030570		Rev. F	
catalog no			CUSTOMER DRAWING		sheet 3 of 3	