

Main switch 3P, mounting, padlock



Powering Business Worldwide™

Part no. DMM-160/3/15/P-B
Article no. 172792
Catalog No. DMM-160/3/15/P-B

Delivery programme

Product range
 Basic function

Part group reference
 Protection type
 Emergency switching OFF/ emergency STOP

Design

Locking facility

Contacts

Main circuits
 Poles [M]



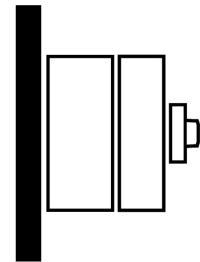
Contact sequence

Rated uninterrupted current

I_u

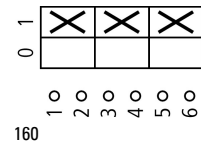
A

Switch-disconnectors Dumeco
 Main switches
 Maintenance switches
 Manual override switches
 DMM
 IP20
 without emergency switching off/
 emergency stop function
 in CI-K5 enclosure
 with blue knob
 main switch surface mounting



1 padlock, \varnothing 5 mm
 auxiliary contact fitted by user

3



General

Standards

Certifications

Ambient temperature

Operation

Storage

Overvoltage category/pollution degree

Rated impulse withstand voltage

Rated insulation voltage

Mounting position

Protection against direct contact when actuated from front (EN 50274)

IEC/EN 60947, VDE 0660, IEC/EN 60204, CSA
 Switch-disconnector according to IEC/EN 60947-3

CE, RoHs, KEMA, GOST-R, Lloyds

°C

θ °C -25 - +55

θ °C -30 - +80

III/3

U_{imp} V AC 6000

U_i V AC 1000

As required

Finger and back-of-hand proof

Contacts

Mechanical variables

Main circuits

Poles

Electrical characteristics

Rated operational voltage

U_e V AC 690

Rated uninterrupted current

I_u A 160

Note on rated uninterrupted current I_u

Rated uninterrupted current I_u is specified for max. cross-section.

Short-circuit rating

fuse

125

Rated conditional short-circuit current

I_q kA 50

Breaking current

kA 14.5

max. let-through energy

kA²s 140

Rated short-time withstand current (1 s current)

Note on rated short-time withstand current I_{cw}

Switching capacity

Bemessungsausschaltvermögen $\cos \varphi$ nach IEC 60947-3

400/415 V

500 V

690 V

Safe isolation to EN 61140

Current heat loss per contact at I_e

Lifespan, mechanical

AC

AC-21A

Bemessungsbetriebsstrom Lastschalter

400 V 415 V

500 V

690 V

AC-22A

Bemessungsbetriebsstrom Lastschalter

400 V 415 V

500 V

690 V

AC-23A

Bemessungsbetriebsstrom Lastschalter

400 V 415 V

500 V

690 V

Bemessungsbetriebsleistung AC-23A, 50 - 60 Hz

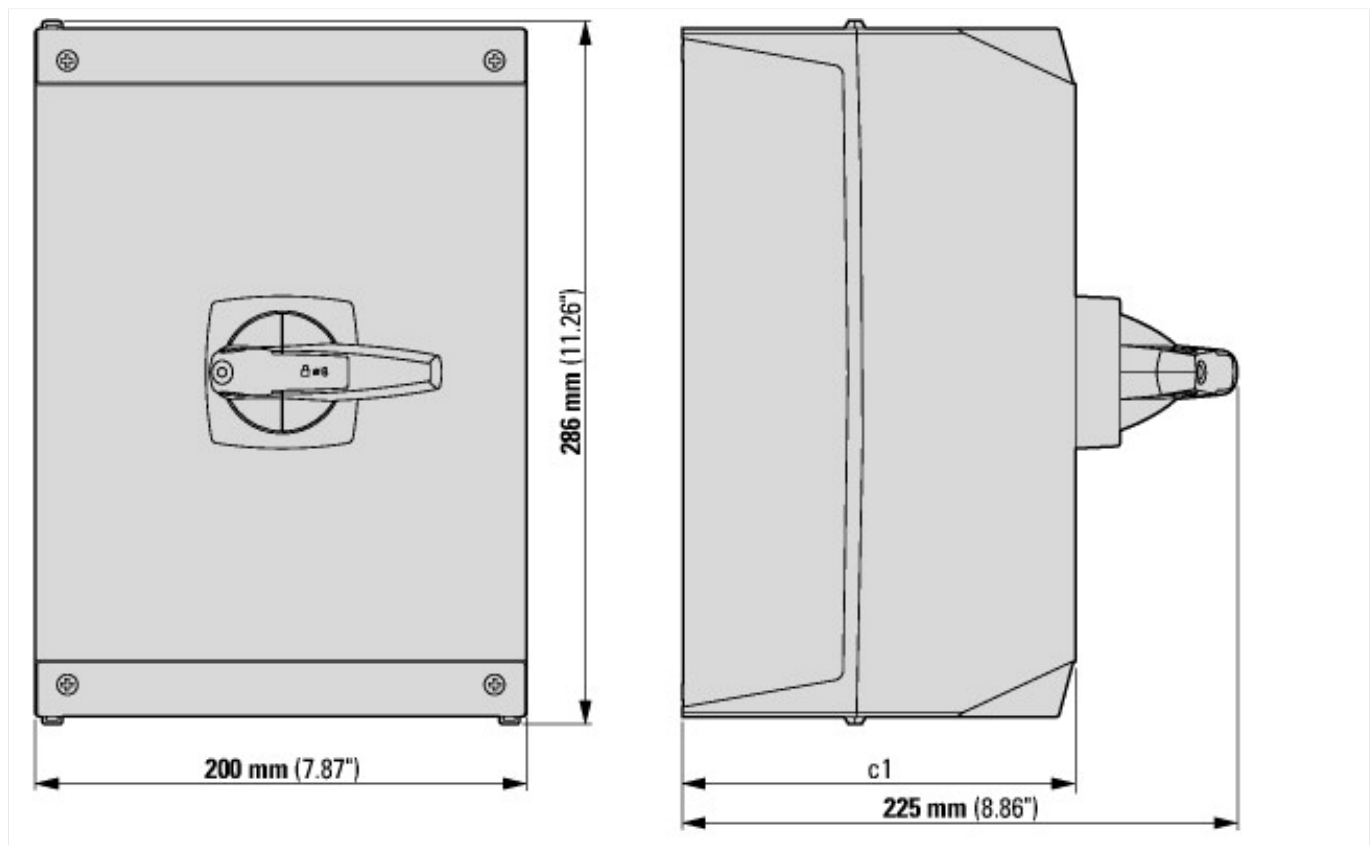
400 V 415 V

500 V

690 V

I_{cw}	A_{rms}	2500
		Current for a time of 1 second
	A	
	A	296
	A	360
	A	352
	W	7.4
Operations		10000
I_e	A	160
I_e	A	160
I_e	A	160
I_e	A	160
I_e	A	160
I_e	A	160
I_e	A	66
I_e	A	66
I_e	A	40
P	kW	
P	kW	37
P	kW	45
P	kW	40

Dimensions



Additional product information (links)

http://de.ecat.moeller.net/flip-cat/?edition=HPLTEv1&startpage=4.2
http://de.ecat.moeller.net/flip-cat/?edition=HPLTEv1&startpage=4.4
http://de.ecat.moeller.net/flip-cat/?edition=HPLTEv1&startpage=4.6
http://de.ecat.moeller.net/flip-cat/?edition=HPLTEv1&startpage=4.8
http://de.ecat.moeller.net/flip-cat/?edition=HPLTEv1&startpage=4.8