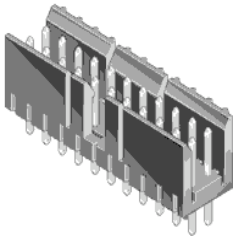


**69168-106HLF -
DUBOX™, Basics+ : 2 Wall
Shrouded Header - Through
Hole - Double row - 6 Positions
2.54 mm - Vertical**



www.fci.com

Mating Half

65846-015LF

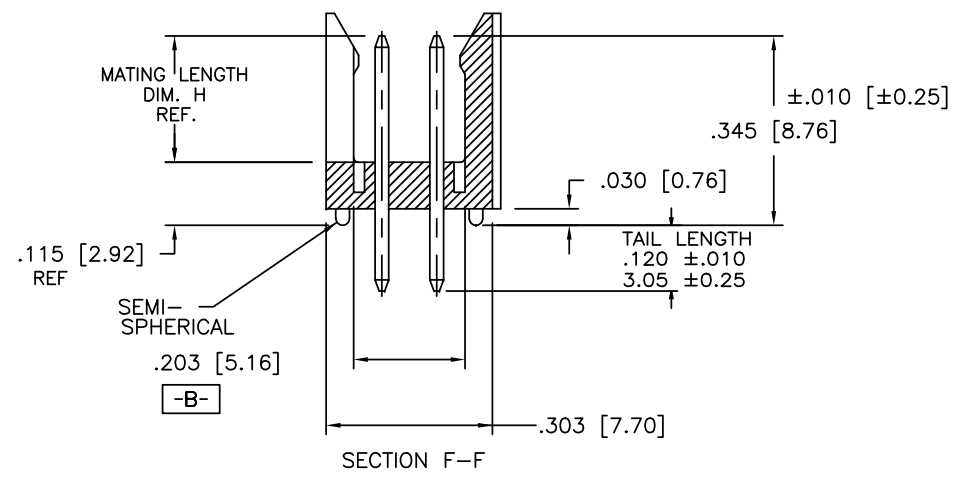
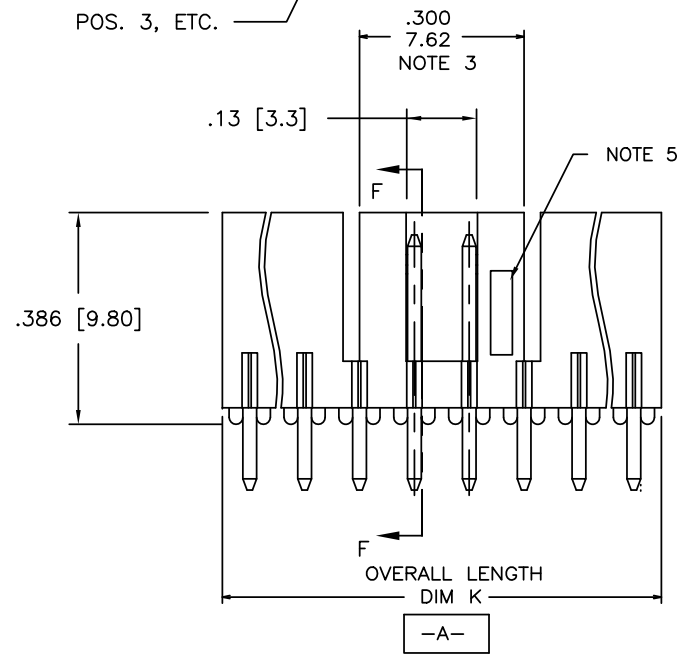
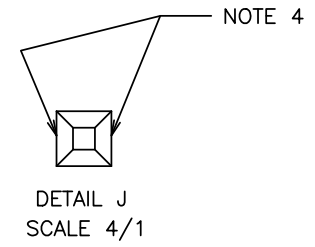
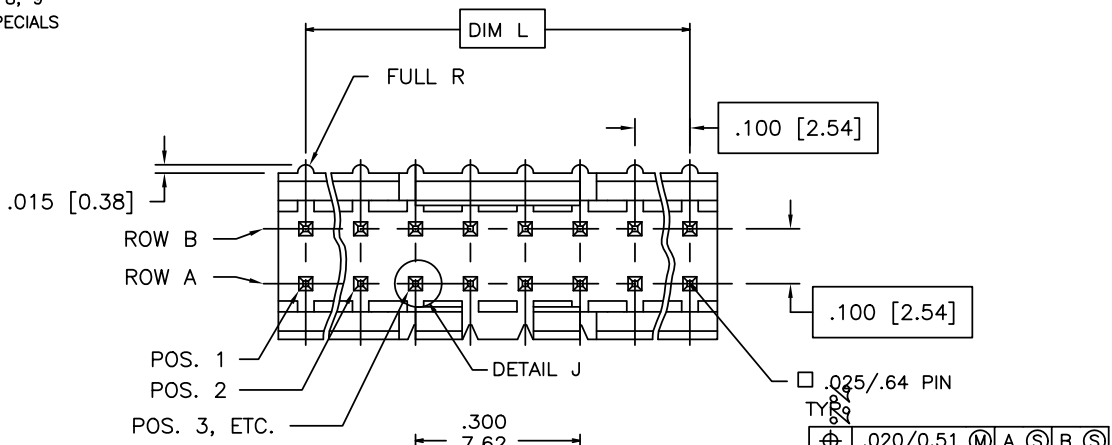
Specifications

General	
Number of contacts	6
Number of rows	2
Orientation	Vertical
Product Type	Shrouded Header
Housing Style (Double row)	65846 65043
Housing Style (Single row)	78211 65039
Polarization (Key)	Yes
Mating half	Mates with PV CTW Housings and Contacts
Series Number	69168
Dimensional	
Length (Mating pin)	5.84 mm (0.23 in.)
Length (Tail)	3.5 mm (0.12 in.)
Electrical	
Current rating	3A Continuous
Resistance (Insulation)	100000 M-ohms
Voltage rating	1000V rms
Mounting	
Mounting style	Through Mount
Solder process	Wave Soldering
Physical	
Color (Housing)	Black
Material (Contact)	Phosphor Bronze
Material (Housing)	Thermoplastic
Plating (Contact area)	0.76 µm (30 µin.) Gold

Plating (Tail)	0.76 µm (30 µin.) Gold
Underplating	1.27 µm (50 µin.) Nickel
Temperature (Operating - range)	-40°C to +95°C
Approvals / Certifications	
UL File Number	E66906
CSA File Number	LR46923
Approvals / Certifications	UL and CSA Approved
Other Features	
Packaging (Type)	Bulk

PRODUCT NUMBER
 69168-XYZHLF

- LEAD FREE OPTION
SEE NOTE 7, 8, 9
- CUSTOMER SPECIALS
SEE NOTE 6
- NO. OF POS.
SEE TABLE
- PIN PLATING
SEE TABLE
- BASE P/N



FCIconnect.com

Copyright FCI

mat'l. code		surface ISO 1302 ✓		tolerance ISO 406 ISO 1101		projection 		product family HEADER	
ltr ecn nldr date		tolerances unless otherwise specified		angles		line		title	
M	EX-N-011899	JZ	2012-05-31					INCH/MM	FRICION LATCH HEADER DOUBLE ROW VERTICAL
G	V03-0352	GJP	03/25/03	0°±2'				scale 3:1	
H	M05-0134	ERE	06/15/05	dr	L.SADERS			5/3/95	
J	M06-0256	MHT	9/07/06	engr	L.FYE			5/3/95	
K	M08-0023	MHT	1/28/08	chr	T.BREWBAKER			5/3/95	
L	M08-0291	MHT	10/06/08	appd	L.FYE			5/3/95	
sheet	revision	M	M						
index	sheet	1	2						



PRODUCT NUMBER	NO.OF POS.	MATING LENGTH DIM H	OVERALL LENGTH DIM K	DIM L	NOTES
69168-X06	2 X 3	0.230/5.84	0.300/7.62	0.200/5.08	
-X08	2 X 4	0.230/5.84	0.400/10.16	0.300/7.62	
-X08A	2 X 4	0.210/5.33	0.400/10.16	0.300/7.62	NOTE 6
-X10	2 X 5	0.230/5.84	0.500/12.70	0.400/10.16	
-X10A	2 X 5	0.210/5.33	0.500/12.70	0.400/10.16	NOTE 6
-X12	2 X 6	0.230/5.84	0.600/15.24	0.500/12.70	
-X14	2 X 7	0.230/5.84	0.700/17.78	0.600/15.24	
-X16	2 X 8	0.230/5.84	0.800/20.32	0.700/17.78	
-X16A	2 X 8	0.210/5.33	0.800/20.32	0.700/17.78	NOTE 6
-X18	2 X 9	0.230/5.84	0.900/22.86	0.800/20.32	
-X18A	2 X 9	0.210/5.33	0.900/22.86	0.800/20.32	NOTE 6
-X20	2 X 10	0.230/5.84	1.000/25.40	0.900/22.86	
-X22	2 X 11	0.230/5.84	1.100/27.94	1.000/25.40	
-X24	2 X 12	0.230/5.84	1.200/30.48	1.100/27.94	
-X26	2 X 13	0.230/5.84	1.300/33.02	1.200/30.48	
-X28	2 X 14	0.230/5.84	1.400/35.56	1.300/33.02	
69168-X30	2 X 15	0.230/5.84	1.500/38.10	1.400/35.56	

NOTES:

- MOLDING MAT'L: GLASS REINFORCED PCT, COLOR: BLACK
FLAME RETARDANT PER UL 94 V-0
MAXIMUM OPERATING TEMPERATURE: 130° C
OR
MINERAL FILLED LCP, COLOR BLACK
FLAME RETARDANT PER UL 94 V-0
- PIN MATERIAL: 3/4 HD PHOS. BRZ.
- NO SLOTS ON 2 X 5 POSITION OR SMALLER PRODUCT. THE CENTER KEY SLOT WILL BE ON ALL HEADERS REGARDLESS OF SIZE.
- TWO NON-CRITICAL SIDES OF PIN TIP NOT PLATED, BOTH ENDS.
- COMPANY LOGO MAY APPEAR IN THIS AREA.
- CUSTOMER SPECIAL -- "A" SUFFIX INDICATES 0.210/5.33 MATING LENGTH.
- ADD "HLF" SUFFIX AT THE END OF PART NUMBER FOR LEAD FREE OPTION, NOT AVAILABLE FOR -5YY, -5YYH, -6YY & -6YYH.
- PART NUMBERS WITH "H" SUFFIX WILL WITHSTAND EXPOSURE TO 260°C PEAK TEMPERATURE FOR 20 SECONDS IN WAVE SOLDER, INFRA-RED OR VAPOR PHASE SOLDER PROCESS.

PART NUMBERS WITHOUT "H" SUFFIX WILL WITHSTAND EXPOSURE TO 260°C PEAK TEMPERATURE FOR WAVE SOLDER PROCESS.
- THIS PRODUCT MEETS EUROPEAN UNION DIRECTIVES AND OTHER COUNTRY REGULATION AS DESCRIBED IN GS-22-008.
- PLATING OPTIONS:
PERFORMANCE PLATING WILL BE EITHER GOLD OR GXT ON CONTACT OR TAIL, OPTIONALLY (78~295u"/2~7.5u) TIN ON TAIL.
- "THIS PRODUCT HAS 100% TIN PLATING IN THE INTERFACE AND HAS NOT BEEN TESTED FOR WHISKER GROWTH IN ALL INTERCONNECT ENVIRONMENTS."

PIN PLATING CODES

-1YY	30u"/.76u (SEE NOTE 10) 50u"/1.27u Ni
-2YY	15u/.38u (SEE NOTE 10) 50u"/1.27u Ni
-3YY	50u"/1.27u (SEE NOTE 10) 50u"/1.27u Ni
-4YY	100u"/2.54u MIN Sn 50u"/1.27u Ni (SEE NOTE 11)
-4YYHLF	
-5YY	15u"/.38u (SEE NOTE 10) 50u"/1.27u Ni
-6YY	30u"/.76u (SEE NOTE 10) 50u"/1.27u Ni
-7YY	30u"/.76u (SEE NOTE 10) OVER 50u"/1.27u Ni
-8YY	15u"/.38u (SEE NOTE 10) OVER 50u"/1.27u Ni

mat'l. code	surface ISO 1302 ✓	tolerance ISO 406 ISO 1101	projection 	product family HEADER
ltr ecn nldr date	tolerances unless otherwise specified			title FRICTION LATCH HEADER DOUBLE ROW VERTICAL
M	angles	linea XXX±.01/XXX.3 XXX±.005/XXX±.013 XXX±.0020/XXX±.005	INCH/MM	scale 3:1
	dr	L.SADERS	5/3/95	FCI dwg no 69168 sheet 2 of 2 size A3
	engr	L.FYE	5/3/95	
	chr	T.BREWBAKER	5/3/95	
	appd	L.FYE	5/3/95	type Product Customer Drawing
sheet index	revision sheet			