


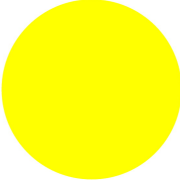


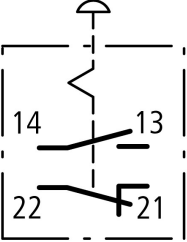





## Emergency-stop key-release mushroom, 1N/O+1N/C, surface mounting

**Part no.** M22-PV/KC11/IY  
**Article no.** 216525  
**Catalog No.** M22-PV-KC11-IYQ

### Delivery programme

|                            |  |  |  |
|----------------------------|--|--|--|
| Approval                   |  |  |    |
| Product range              |  |  | RMQ-Titan (drilling dimensions 22.5 mm)  |
| Basic function             |  |  | Emergency stop buttons   |
| Single unit/Complete unit  |  |  | Complete unit  |
| Description                |  |  | Tamper-proof according to ISO 13850/EN 418<br>Pull to release  |
| Colour of enclosure top    |  |  | Yellow   |
| Colour of enclosure top    |  |  |    |
| Function                   |  |  | Pull-release   |
| <b>Contacts</b>            |  |  |  |
| N/O = Normally open        |  |  | 1 N/O  |
| N/C = Normally closed      |  |  | 1 NC    |
| Notes                      |  |  |  = safety function, by positive opening to IEC/EN 60947-5-1   |
| Contact sequence           |  |  |    |
| RAL Value                  |  |  | RAL 1004   |
| Front ring                 |  |  | None   |
| Connection to SmartWire-DT |  |  | no   |

### Technical data

| General                     |              |               |   |
|-----------------------------|--------------|---------------|---|
| Standards                   |              |               | IEC/EN 60947<br>VDE 0660  |
| Lifespan, mechanical        | Operations   | $\times 10^6$ | > 0.1   |
| Operating frequency         | Operations/h |               |  600 |
| Actuating force             | n            |               | 50  |
| Degree of Protection        |              |               | IP66, IP69K   |
| Climatic proofing           |              |               | Damp heat, constant, to IEC 60068-2-78<br>Damp heat, cyclic, to IEC 60068-2-30          |
| Ambient temperature         |              | °C            |   |
| Open                        |              | °C            | - 25 - + 70   |
| Mounting position           |              |               | As required   |
| Mechanical shock resistance |              | g             | 50<br>Shock duration 11 ms  |

## Data for design verification according to IEC/EN 61439

| Technical data for design verification   |            |   |      |
|--|------------|---|------|
| Rated operational current for specified heat dissipation   | $I_n$      | A | 6    |
| Heat dissipation per pole, current-dependent   | $P_{vid}$  | W | 0.11 |
| Equipment heat dissipation, current-dependent  | $P_{vid}$  | W | 0    |
| Static heat dissipation, non-current-dependent   | $P_{vs}$   | W | 0    |
| Heat dissipation capacity  | $P_{diss}$ | W | 0    |
| IEC/EN 61439 design verification   |            |   |      |
| 10.2 Strength of materials and parts   |            |   |      |
| 10.2.2 Corrosion resistance  |            |   |      |
| 10.2.3 Verification of thermal stability of enclosures   |            |   |      |
| 10.2.3.1 Verification of thermal stability of enclosures   |            |   |      |
| 10.2.3.2 Verification of resistance of insulating materials to normal heat   |            |   |      |
| 10.2.3.3 Verification of resistance of insulating materials to abnormal heat and fire due to internal electric effects |            |   |      |
| 10.2.4 Resistance to ultra-violet (UV) radiation   |            |   |      |
| 10.2.5 Lifting   |            |   |      |
| 10.2.6 Mechanical impact   |            |   |      |
| 10.2.7 Inscriptions  |            |   |      |
| 10.3 Degree of protection of ASSEMBLIES  |            |   |      |
| 10.4 Clearances and creepage distances   |            |   |      |
| 10.5 Protection against electric shock   |            |   |      |
| 10.6 Incorporation of switching devices and components   |            |   |      |
| 10.7 Internal electrical circuits and connections  |            |   |      |
| 10.8 Connections for external conductors   |            |   |      |
| 10.9 Insulation properties   |            |   |      |
| 10.9.2 Power-frequency electric strength   |            |   |      |
| 10.9.3 Impulse withstand voltage   |            |   |      |
| 10.9.4 Testing of enclosures made of insulating material   |            |   |      |
| 10.10 Temperature rise   |            |   |      |
| 10.11 Short-circuit rating   |            |   |      |
| 10.12 Electromagnetic compatibility  |            |   |      |
| 10.13 Mechanical function  |            |   |      |

## Technical data ETIM 5.0

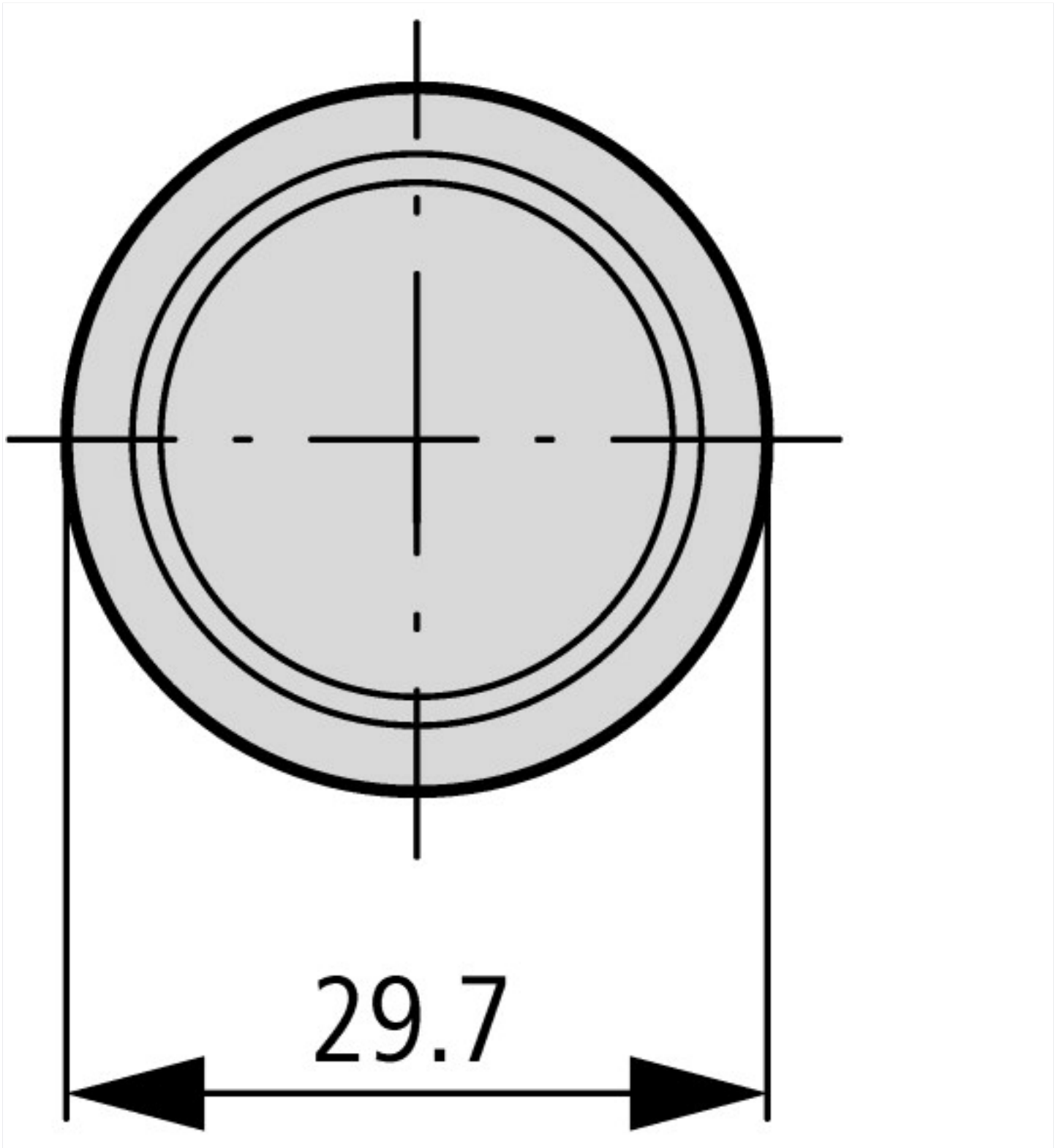
| Low-voltage industrial components (EG000017) / Control circuit devices combination in enclosure (EC000225)   |  |   |           |
|--|--|---|-----------|
| Electric engineering, automation, process control engineering / Low-voltage switch technology / Command and alarm device / Command and alarm device combination in housing (ec1@ss8-27-37-12-16 [AKF034010]) |  |   |           |
| Number of command positions  |  |   | 1         |
| Number of push buttons   |  |   | 1         |
| Number of indicator lights   |  |   | 0         |
| Number of key switches   |  |   | 0         |
| Number of selector switches  |  |   | 0         |
| Number of mushroom-shaped push-buttons   |  |   | 0         |
| Suitable for emergency stop  |  |   | Yes       |
| Rated control supply voltage $U_s$ at AC 50HZ  |  | V | 115 - 500 |
| Rated control supply voltage $U_s$ at AC 60HZ  |  | V | 115 - 500 |
| Rated control supply voltage $U_s$ at DC   |  | V | 24 - 220  |
| Colour housing cover   |  |   | Yellow    |
| Material housing   |  |   | Plastic   |
| Degree of protection (IP)  |  |   | IP66      |
| Number of contacts as normally open contact  |  |   | 1         |

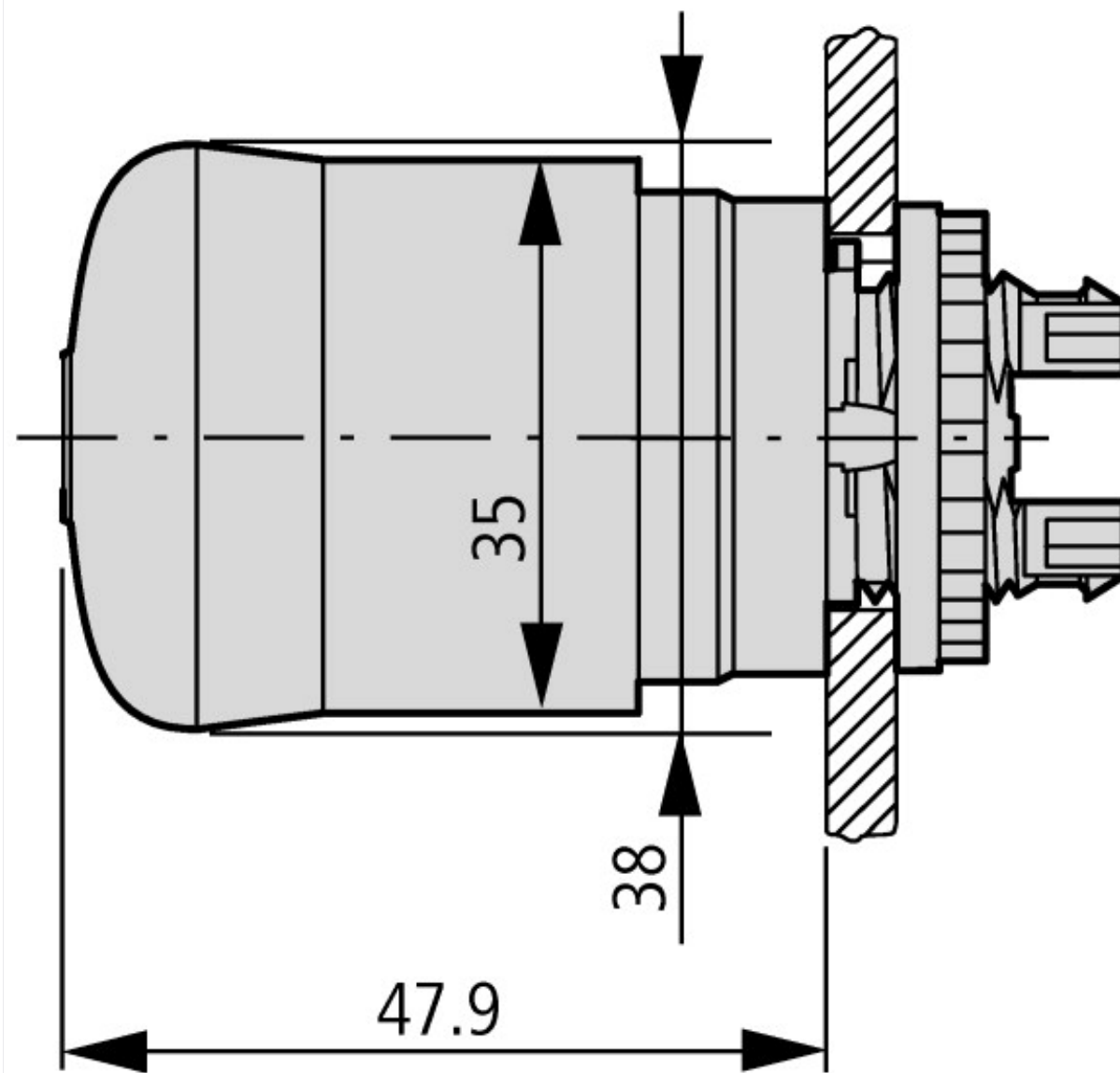
|   |  |   |
|---|--|---|
| Number of contacts as normally closed contact |  | 1 |
| Number of contacts as change-over contact     |  | 0 |

## Approvals

|                             |  |  |
|-----------------------------|--|--|
| Product Standards           |  | IEC/EN 60947-5; UL 508; CSA-C22.2 No. 14-05; CSA-C22.2 No. 94-91; CE marking |
| UL File No.                 |  | E29184   |
| UL Category Control No.     |  | NKCR   |
| CSA File No.                |  | 012528   |
| CSA Class No.               |  | 3211-03  |
| North America Certification |  | UL listed, CSA certified   |
| Degree of Protection        |  | UL/CSA Type 3R, 4X, 12, 13   |

## Dimensions





### Additional product information (links)

IL04716002Z (AWA1160-1745) RMQ-Titan System

IL04716002Z (AWA1160-1745) RMQ-Titan System

[ftp://ftp.moeller.net/DOCUMENTATION/AWA\\_INSTRUCTIONS/IL04716002Z2013\\_08.pdf](ftp://ftp.moeller.net/DOCUMENTATION/AWA_INSTRUCTIONS/IL04716002Z2013_08.pdf)