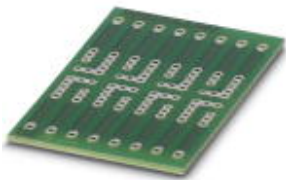



# Electronic housing - P 1-EMG 45 - 2946243

Please be informed that the data shown in this PDF Document is generated from our Online Catalog. Please find the complete data in the user's documentation. Our General Terms of Use for Downloads are valid (<http://download.phoenixcontact.com>)

PCB for assembling electronic components



## Key commercial data

Packing unit	5 pc
GTIN	 4 017918 082208
Weight per Piece (excluding packing)	8.7 g
Custom tariff number	85340019
Country of origin	Germany

## Technical data

Product type	PCB
--------------	-----

## Classifications

### eCl@ss

eCl@ss 4.0	27180401
eCl@ss 4.1	27180401
eCl@ss 5.0	27180506
eCl@ss 5.1	27180506
eCl@ss 6.0	27180802
eCl@ss 7.0	27182702
eCl@ss 8.0	27182702

### ETIM

ETIM 2.0	EC001031
ETIM 3.0	EC001031
ETIM 4.0	EC001031
ETIM 5.0	EC001031

# Electronic housing - P 1-EMG 45 - 2946243

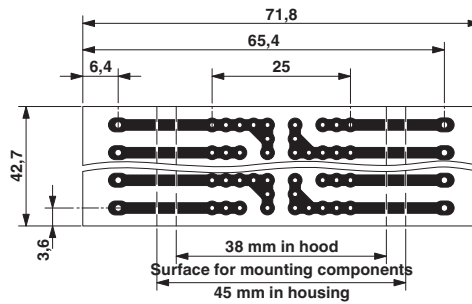
## Classifications

### UNSPSC

UNSPSC 6.01	31261501
UNSPSC 7.0901	31261501
UNSPSC 11	31261501
UNSPSC 12.01	31261501
UNSPSC 13.2	31261501

## Drawings

Dimensioned drawing



Pitch 5.08 mm

a = Area for mounting components, 38 mm in the hood  
b = Area for mounting components, 45 mm in the housing