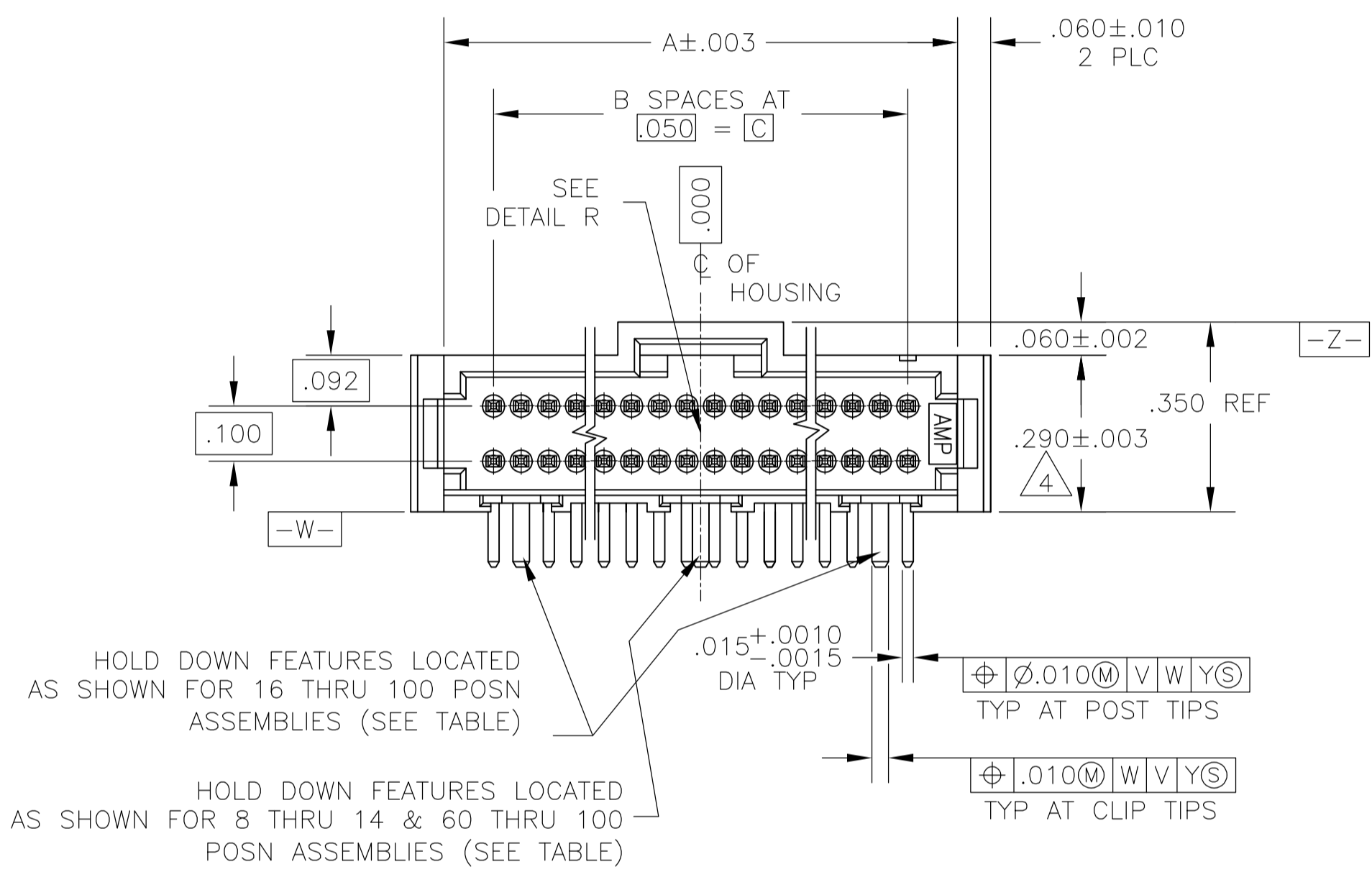
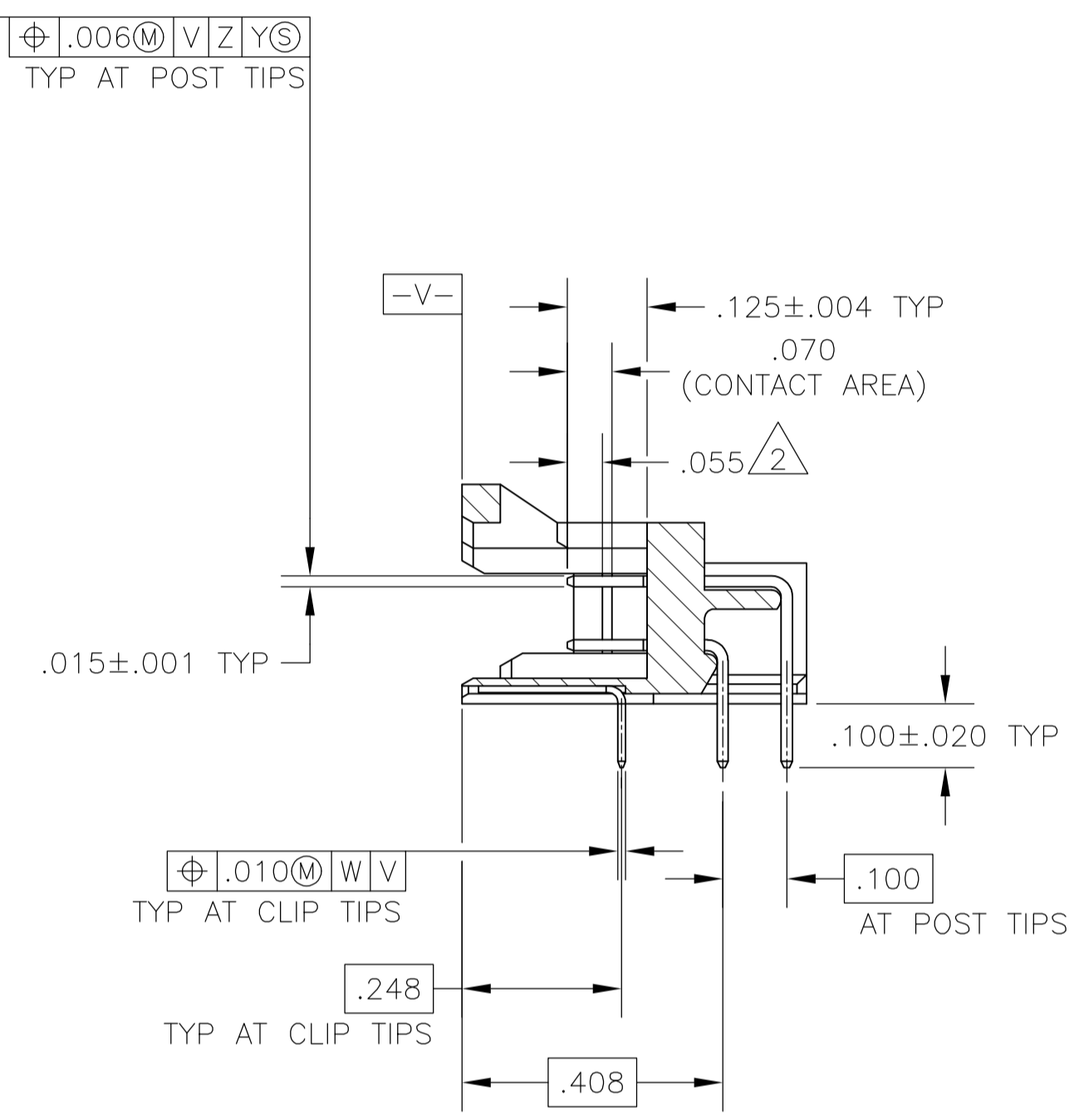
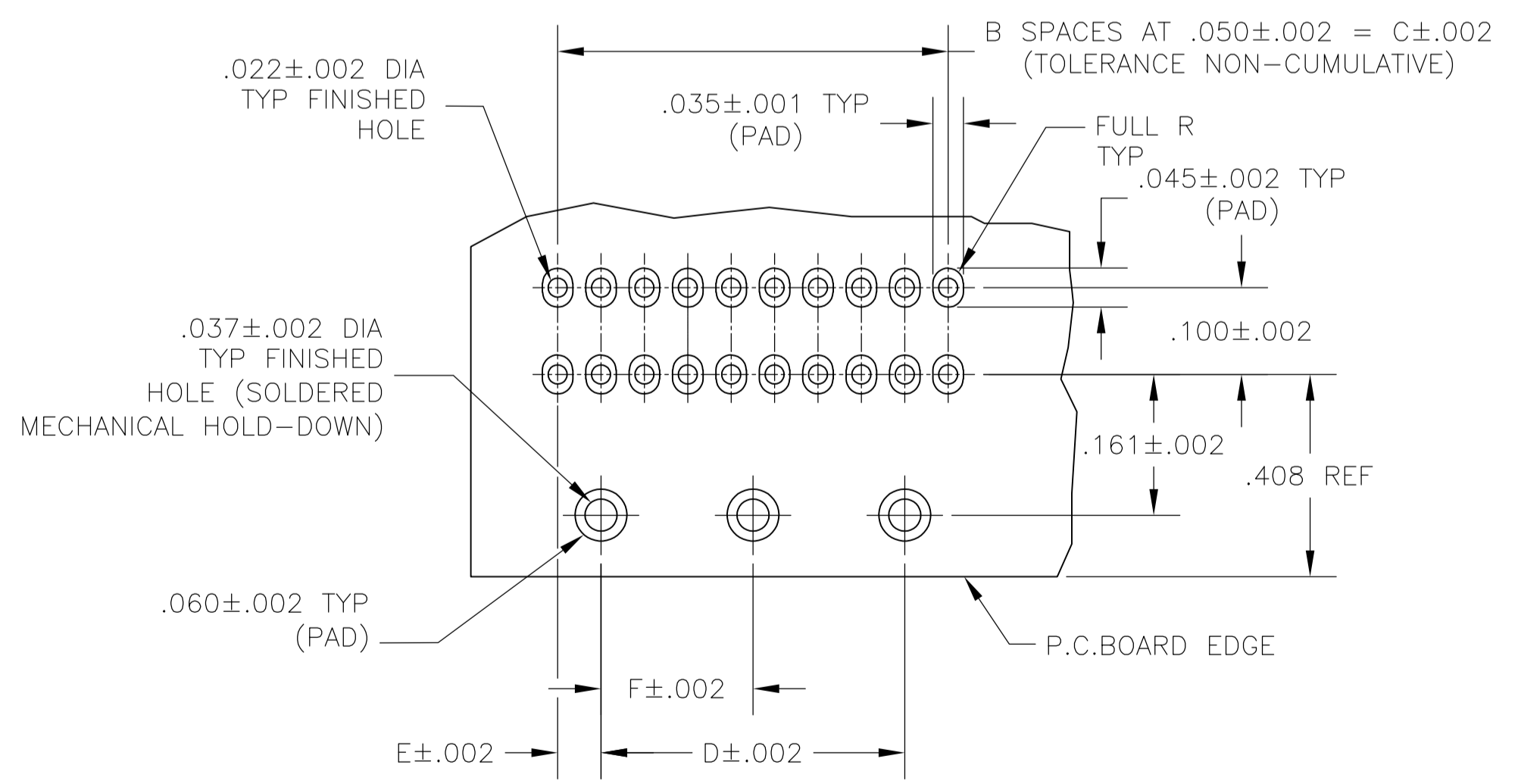
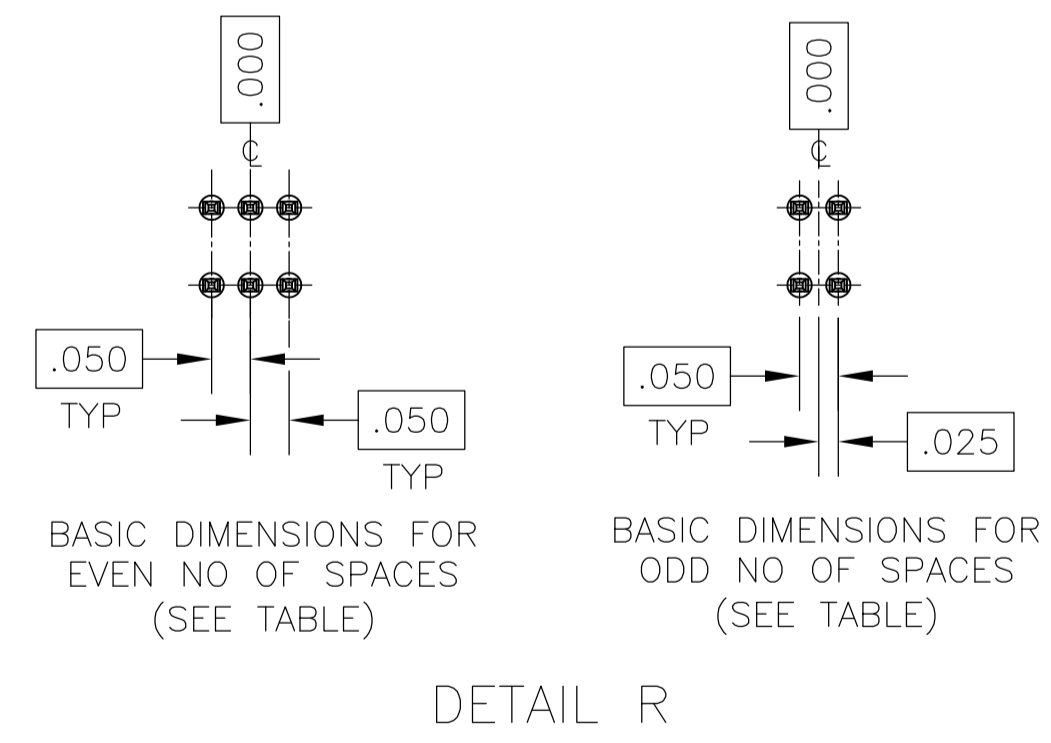


- 1 CONTACT AREA PLATED WITH .000030 MIN GOLD, SOLDER LEADS PLATED WITH .000150 TIN LEAD, ALL OVER .000050 NICKEL
- 2 POINT OF MEASUREMENT FOR GOLD THICKNESS
- 3 CIRCUIT IDENTIFICATION FEATURE OMITTED ON 8,10,12,& 14 POSITION HEADER ASSEMBLIES
- 4 DIMENSION APPLIES AT BASE OF SHROUD
- 5 THE NOTED DIMENSIONS APPLY AT THE INTERSECTION OF THE POST AND HOUSING
- 6 CONTACT AREA PLATED WITH .000030 MIN GOLD, SOLDER LEADS PLATED WITH .000150 TIN, ALL OVER .000050 NICKEL
- 7 OBSOLETE PARTS: OBSOLETE CIS STREAMLINING PER D.RENAUD/D.SINISI



		.775	.050	1.550	1.650	33	1.830	68	6-104069-8
		1.175	.050	2.350	2.450	49	2.630	100	6-104069-7
		.825	.050	1.650	1.750	35	1.930	72	6-104069-6
6	PRELIMINARY	-	.050	.950	1.050	21	1.230	44	6-104069-5
		-	.050	.700	.800	16	.980	34	6-104069-4
		-	.050	.500	.600	12	.780	26	6-104069-3
		-	.050	.450	.550	11	.730	24	6-104069-2
		-	.050	.250	.350	7	.530	16	6-104069-1
		-	.150	-	.300	6	.480	14	6-104069-0
6	PRELIMINARY	-	.125	-	.250	5	.430	12	5-104069-9
6	OBSOLETE	-	.075	-	.150	3	.330	8	5-104069-8
		.675	.050	1.350	1.450	29	1.630	60	5-104069-7
		-	.050	.850	.950	19	1.130	40	5-104069-6
		-	.050	.600	.700	14	.880	30	5-104069-5
		-	.100	-	.200	4	.380	10	5-104069-4
		.925	.050	1.850	1.950	39	2.130	80	5-104069-3
		-	.050	1.100	1.200	24	1.380	50	5-104069-2
		-	.050	.350	.450	9	.630	20	5-104069-1
		.775	.050	1.550	1.650	33	1.830	68	1-104069-8
		1.175	.050	2.350	2.450	49	2.630	100	1-104069-7
		.825	.050	1.650	1.750	35	1.930	72	1-104069-6
1	OBSOLETE	-	.050	.950	1.050	21	1.230	44	1-104069-5
		-	.050	.700	.800	16	.980	34	1-104069-4
		-	.050	.500	.600	12	.780	26	1-104069-3
		-	.050	.450	.550	11	.730	24	1-104069-2
		-	.050	.250	.350	7	.530	16	1-104069-1
		-	.150	-	.300	6	.480	14	1-104069-0
1	OBSOLETE	-	.125	-	.250	5	.430	12	104069-9
1	OBSOLETE	-	.075	-	.150	3	.330	8	104069-8
		.675	.050	1.350	1.450	29	1.630	60	104069-7
		-	.050	.850	.950	19	1.130	40	104069-6
		-	.050	.600	.700	14	.880	30	104069-5
		-	.100	-	.200	4	.380	10	104069-4
		.925	.050	1.850	1.950	39	2.130	80	104069-3
		-	.050	1.100	1.200	24	1.380	50	104069-2
		-	.050	.350	.450	9	.630	20	104069-1



RECOMMENDED HOLE PATTERN

THIS DRAWING IS A CONTROLLED DOCUMENT. DIN D. CLOUSER 10-3-88. CHK T. ZOLA 10-3-88. APVD T. ZOLA 10-3-88. NAME: HEADER ASSEMBLY, RIGHT ANGLE, DOUBLE ROW, W/SIDE & END LATCHES, AMPMODU System 50. DIMENSIONS: INCHES. TOLERANCES UNLESS OTHERWISE SPECIFIED: 0 PLC ±, 1 PLC ±, 2 PLC ±, 3 PLC ±.005, 4 PLC ±, ANGLES ±. MATERIAL: HOUSING:THERMOPLASTIC, COLOUR:BLACK, CONTACT: COPPER ALLOY. FINISH: SEE TABLE. WEIGHT: -. SIZE: A1. CAGE CODE: 00779. DRAWING NO: 104069. CUSTOMER DRAWING. SCALE: 4:1. SHEET: 1 of 1. REV: Z4.