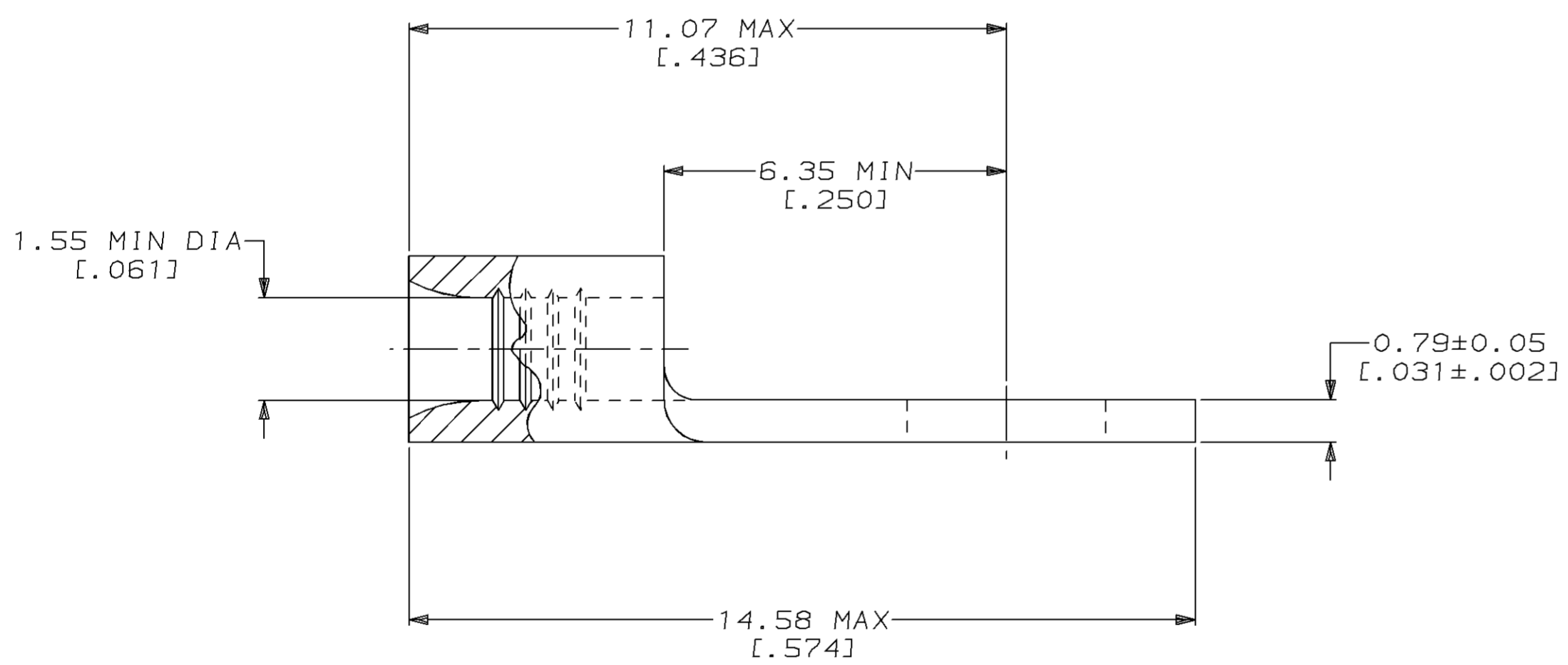
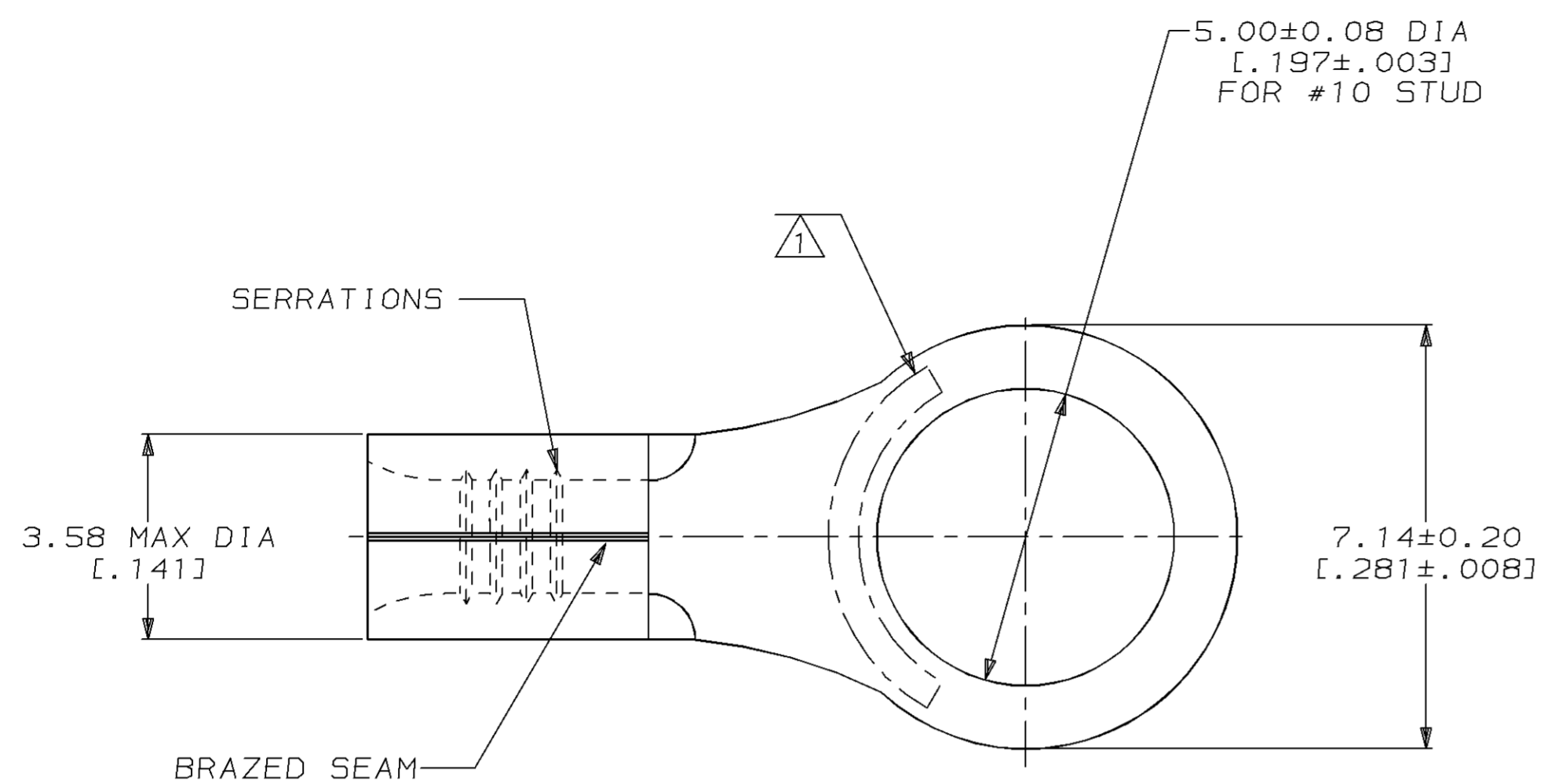


THIS DRAWING IS UNPUBLISHED. RELEASED FOR PUBLICATION ,19 .  
 © COPYRIGHT 19 BY AMP INCORPORATED. ALL INTERNATIONAL RIGHTS RESERVED.

LOC	DIST	P	F	ZONE	LTR	DESCRIPTION	DATE	APPD
G	14				D	ADDED 1-34109-1 PER 0720-0436-94	22NOV94	OKS MLE

**METRIC**  
 DIMENSIONS LISTED IN mm [ INCHES ]

<b>AMP</b> WIRE RANGE	<b>UL</b> E13288 Listed
22-16 AWG SOLID OR STRANDED	22-16 AWG SOLID OR STRANDED
<b>SR</b> LR7189 Certified	MILITARY P/N AND CLASS
22-16 AWG SOLID OR STRANDED	NOT APPLICABLE



- 1 STAMP AMP 22-18\* APPROX AS SHOWN  
22-16 TERMINALS ARE STAMPED 22-18 IN  
ACCORDANCE WITH MILITARY SPEC MIL-7928  
COMMERCIAL WIRE RANGE IS 22-16
- 2 TIN PL 0.00254 [.000100] MIN THK  
PER MIL-T-10727
- 3 GOLD PL 0.00127 [.000050] MIN THK  
PER MIL-G-45204 OVER NICKEL PL  
0.00076 [.000030] MIN THK PER QQ-N-290

FINISH	QUANTITY	PACKAGING TYPE	PART NO
2	100	LOOSE PIECE, BOX	8-34109-1
2	5000	ON TAPE	2-34109-2
3	1000	LOOSE PIECE	1-34109-1
2	-	LOOSE PIECE	34109

**AMP INCORPORATED**  
**CUSTOMER SERVICE SYSTEMS**

FOR ADDITIONAL  
 PRODUCT INFORMATION OR  
 COPIES OF DRAWINGS  
 AND TECHNICAL DOCUMENTS

PRODUCT INFORMATION CENTER  
 1-800-522-6752

FOR APPLICATION  
 TOOLING INFORMATION

TOOLING ASSISTANCE CENTER  
 1-800-722-1111

FOR ORDER ENTRY

1-800-526-5142

MAX RECOMMENDED OPERATING  
 TEMPERATURE:  
 170°C MAX

VOLTAGE RATING:  
 NOT APPLICABLE

WIRE CROSS SECTIONAL AREA RANGE:  
 0.26-1.65mm<sup>2</sup> [509-3,260] CIR MILS  
 SOLID OR STRANDED

THIS DRAWING IS A CONTROLLED DOCUMENT FOR  
 AMP INCORPORATED. IT IS SUBJECT TO CHANGE  
 AND THE CONTROLLING ENGINEERING ORGANIZATION  
 SHOULD BE CONTACTED FOR THE LATEST REVISION.

DO NOT SCALE PRINT.  
 UNLESS SPECIFIED  
 DIMENSIONS IN mm [INCHES]  
 TOLERANCES ON:  
 2 PLC DEC ± -  
 3 PLC DEC ± -  
 ANGLES ± -

MATERIAL  
 COPPER PER  
 ASTM B-152  
 ANNEALED

FINISH  
 SEE TABLE

DR 3-10-93  
 TA BRINKMAN

CHK 3-10-93  
 DA PATTERSON

APPD 3-10-93  
 DE MILLER

APPD 3-10-93  
 JL MECKLEY

PRODUCT SPEC  
 -

APPLICATION SPEC  
 -

WEIGHT  
 -

**AMP** AMP Incorporated  
 Harrisburg, PA 17105-3608

NAME  
**TERMINAL, RING TONGUE,  
 SOLISTRAND™**

SIZE  
 C 00779

CAGE CODE  
 G-34109

DRAWING NO  
 G-34109

SCALE 10:1

SHEET 1 OF 1