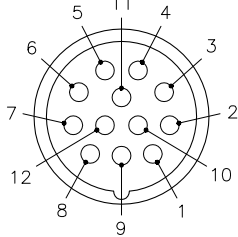

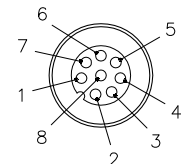

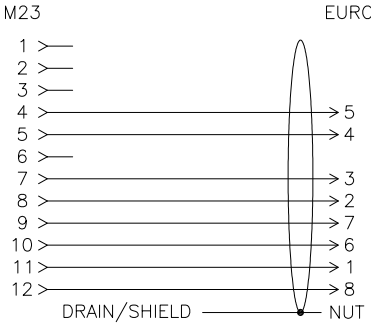
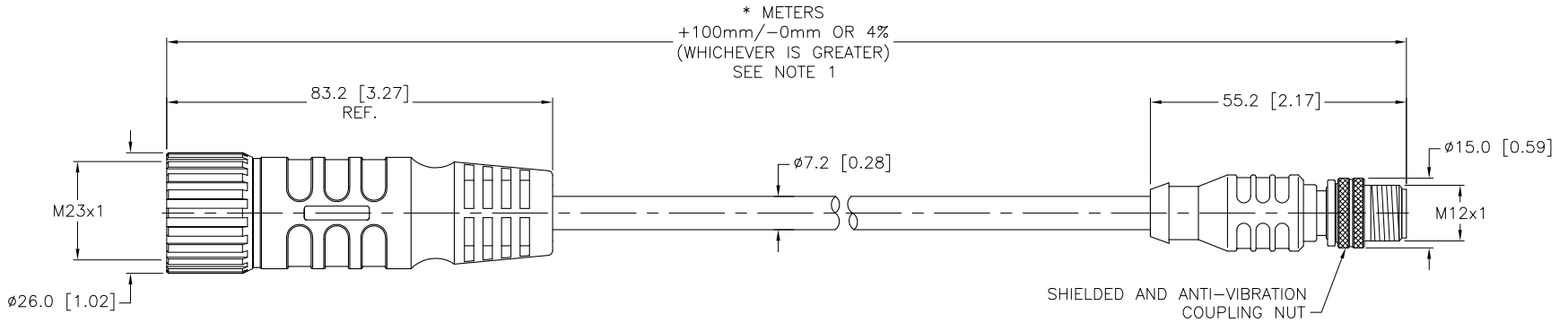
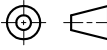



FEMALE END VIEW	MALE END VIEW	WIRING DIAGRAM	SPECIFICATIONS	
 <p>1 = N/C 7 = GREEN 2 = N/C 8 = BROWN 3 = N/C 9 = BLUE 4 = GRAY 10 = PINK 5 = YELLOW 11 = WHITE 6 = N/C 12 = RED</p>  M23 connector	 <p>1 = WHITE 2 = BROWN 3 = GREEN 4 = YELLOW 5 = GRAY 6 = PINK 7 = BLUE 8 = RED</p> 	<p>M23 EURO</p>  <p>1 > 5 2 > 4 3 > 3 4 > 2 5 > 7 6 > 6 7 > 1 8 > 8 10 > 6 11 > 1 12 > 8 DRAIN/SHIELD ——— NUT</p>	CONTACT CARRIER MATERIAL/COLOR MOLDED HEAD MATERIAL/COLOR CONTACT MATERIAL/PLATING COUPLING NUT MATERIAL/PLATING RATED CURRENT [A] RATED VOLTAGE [V] OUTER JACKET MATERIAL/COLOR CONDUCTOR INSULATION MATERIAL NUMBER OF CONDUCTORS [AWG] DRAIN/SHIELD TEMPERATURE RANGE PROTECTION CLASS	NYLON or PBT/GRAY (M23), BLACK (EURO) TPU/BLACK (M23), YELLOW (EURO) BRASS/GOLD BRASS/NICKEL 2.0 A 60 VAC/75 VDC PVC/GRAY PVC 8x24 AWG 26 AWG/BRAIDED AND FOIL SHIELD -40°C to +105°C (-40°F to +221°F) IEC IP67



SOURCE DRAWING - FOR REFERENCE ONLY

NOTES:
1. "*" INDICATES CABLE LENGTH IN METERS. CONTACT TURCK TO ORDER SPECIFIC LENGTHS.
2. "/CS10641" DESIGNATES CUSTOM WIRING OF EXTENSION

RELATED DOCUMENTS 1. 2. 3. 4.	3RD ANGLE PROJECTION 	THIS DRAWING IS PROPERTY OF TURCK INC. USE OF THIS DOCUMENT WITHOUT WRITTEN PERMISSION IS PROHIBITED.	<div style="text-align: right;"> 3000 CAMPUS DRIVE MINNEAPOLIS, MN 55441 1-800-544-7769 (763) 553-7300 (763) 553-0708 fax turck.com </div> 	
MATERIAL SEE SPECIFICATIONS	ALL DIMENSIONS DISPLAYED ON THIS DRAWING ARE FOR REFERENCE ONLY	DRFT DD	DATE 07/22/03	DESCRIPTION CKM 12-*--RSS 8T/CS10641
FINISH SEE SPECIFICATIONS	CONTACT TURCK FOR MORE INFORMATION	UNIT OF MEASUREMENT MILLIMETER [INCH] DO NOT SCALE THIS DRAWING		IDENTIFICATION NO. REV C FILE: 777002466 SHEET 1 OF 1

C	DRAWING PROCESSED AS PART OF ECO 33971	CBM	04/06/11	33971
REV	DESCRIPTION	BY	DATE	ECO NO.