

## Datasheet

# Anti Surge T HBC Fuse, 6.3A, 5x20mm

RS Stock number [563-396](#)

UDA

UDA-A



## Specifications:

### Materials

Ceramic body/nickel plated brass caps

Lead wire: Tin-lead plated copper, Diameter  $\varnothing 0.8\text{mm}$ .

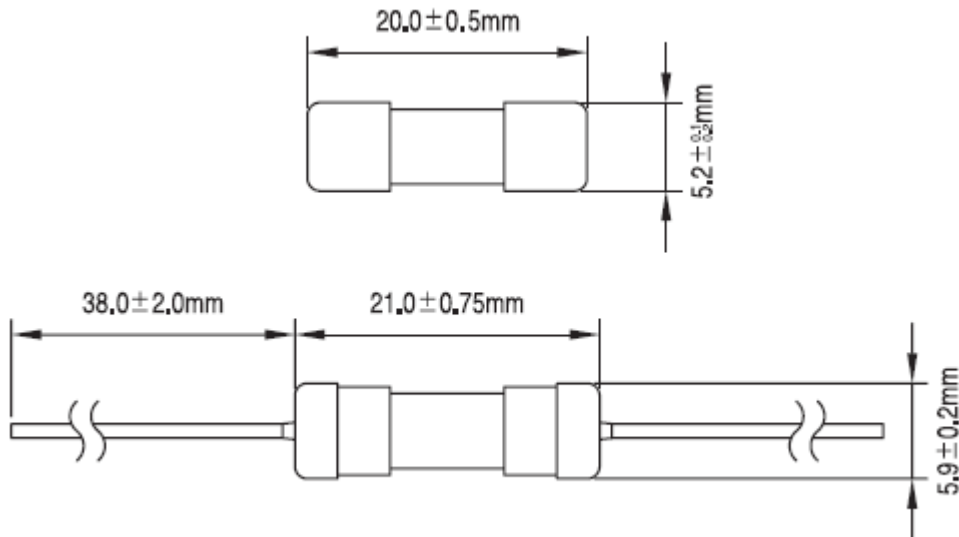
### Interrupting Ratings

1500 amperes at 250V ac

### Operating Temperature

-55°C to + 125°C

Drawing (mm):



Electrical Characteristic:

| Rated Current   | 1.5In     |           | 2.1In     |           | 2.75 In   |          | 4 In     |           | 10 In |     |
|-----------------|-----------|-----------|-----------|-----------|-----------|----------|----------|-----------|-------|-----|
|                 | MIN       | MAX       | MIN       | MAX       | MIN       | MAX      | MIN      | MAX       | MIN   | MAX |
| 500mA<br>~800mA | 60<br>min | 30<br>min | 250<br>ms | 80<br>sec | 50<br>ms  | 5<br>sec | 5<br>ms  | 150<br>ms |       |     |
| 1A~3.15A        | 60<br>min | 30<br>min | 750<br>ms | 80<br>sec | 95<br>ms  | 5<br>sec | 10<br>ms | 150<br>ms |       |     |
| 4A~6.3A         | 60<br>min | 30<br>min | 750<br>ms | 80<br>sec | 150<br>ms | 5<br>sec | 10<br>ms | 150<br>ms |       |     |
| 8A~12A          | 30<br>min | 30<br>min | 750<br>ms | 80<br>sec | 150<br>ms | 5<br>sec | 10<br>ms | 150<br>ms |       |     |