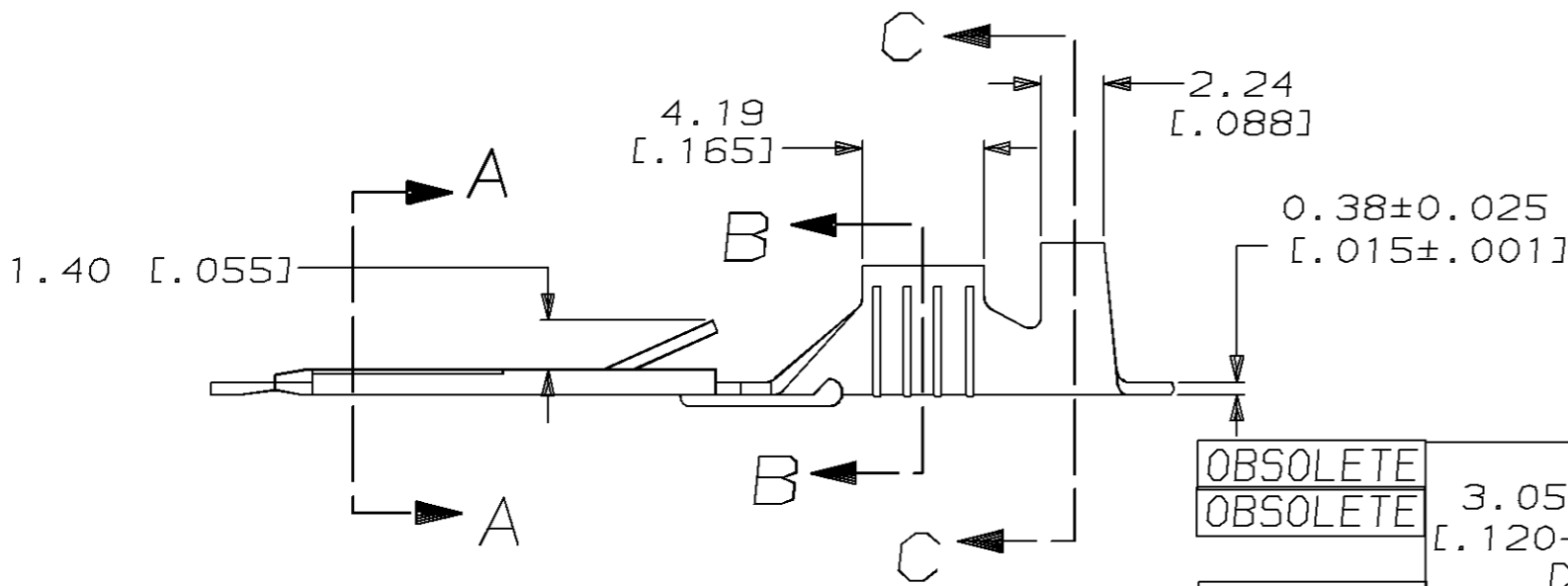
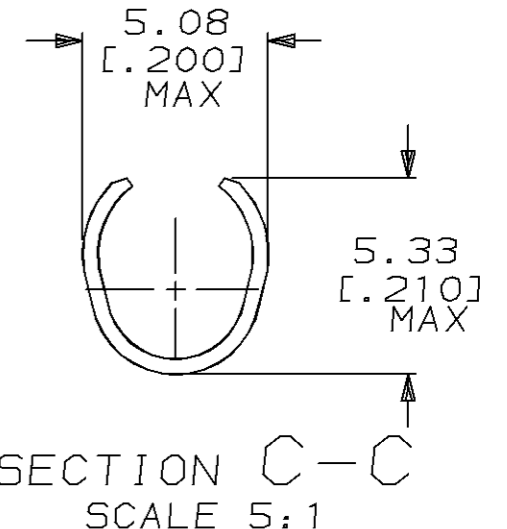
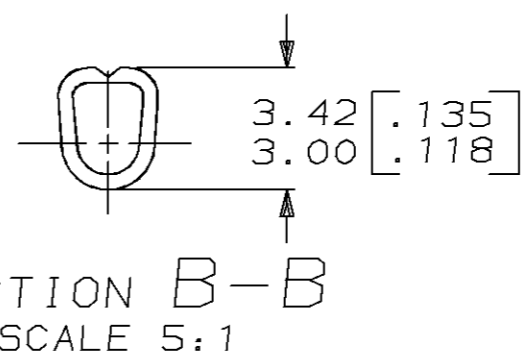
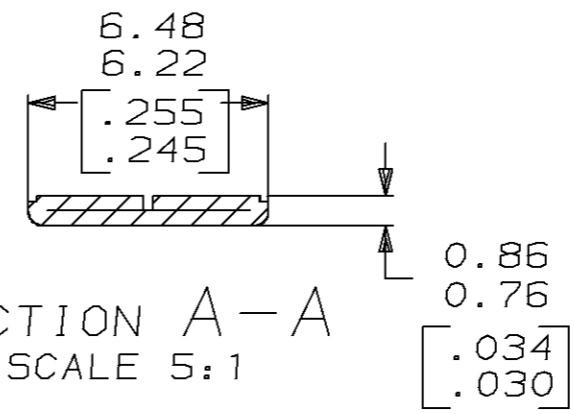
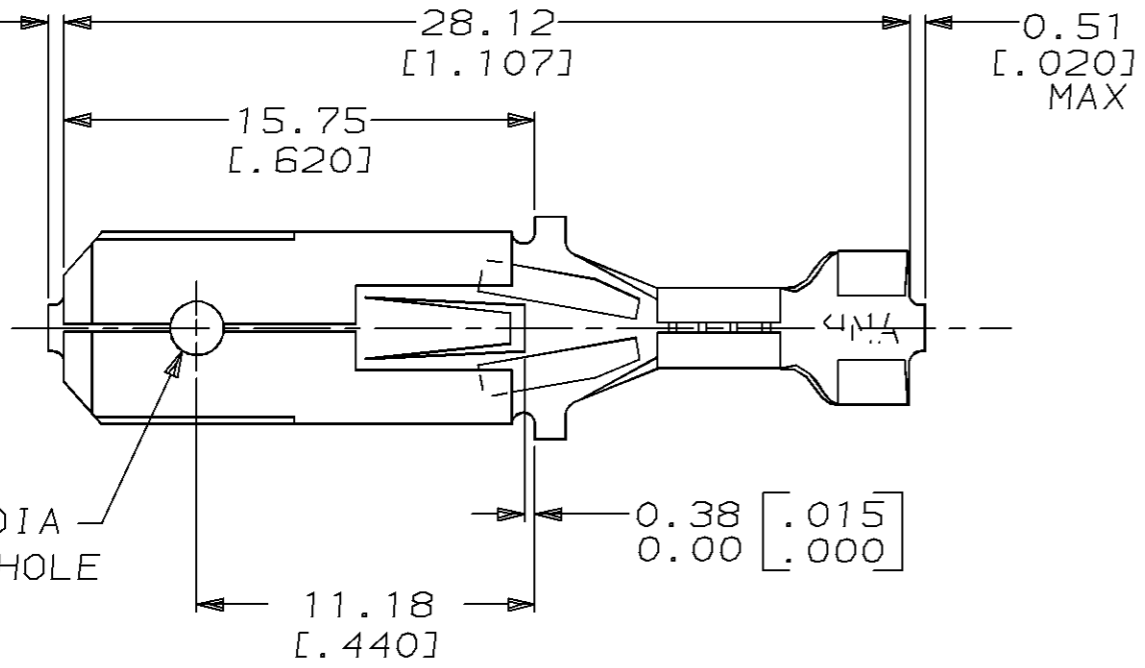


THIS DRAWING IS UNPUBLISHED. RELEASED FOR PUBLICATION, 19
 © COPYRIGHT 19 BY AMP INCORPORATED. ALL INTERNATIONAL RIGHTS RESERVED.

LOC	DIST	P	F	REVISIONS				
AF	50			ZONE	LTR	DESCRIPTION	DATE	APPD
					C	OBS -3 PER 0L10-0086-96	10/1/96	JR/JG

- 1 SUPPLIED IN LOOSE PIECE
- 2 TIN 0.002032 [.000080] MIN.
- 3 SILVER 0.003048 [.000120] MIN.
- 4 FORIEGN PRODUCTION ONLY.



OBSOLETE	3.05-3.68	#18-#16 AWG	TIN 2	082 PHOS BRZ	42565-4
OBSOLETE	[.120-.145]		SILVER 3		42565-3
OBSOLETE	DIA		TIN 2	082 BRASS	42565-2
					42565-1

INSULATION RANGE	WIRE SIZE	FINISH	MATERIAL	PART NO
DO NOT SCALE PRINT. UNLESS SPECIFIED DIMENSIONS ARE IN MM [INCHES] TOLERANCES ON: 2 PLC DEC ± 0.38 [.015] 3 PLC DEC ± - ANGLES ± -	DR 2/6/95 JR RUTH CHK 2/6/95 MS FEHER APPD 2/6/95 J GILLESPIE APPD 2/6/95 R REINER PRODUCT SPEC -			
MATERIAL SEE TABLE	FINISH SEE TABLE	AMP AMP Incorporated Harrisburg, PA 17105-3608		
		NAME TAB, FASTIN-FASTON, 6.35 [.250] SERIES		
		SIZE B	CAGE CODE 00779	DRAWING NO 42565
		SCALE 4:1	SHEET 1 OF 1	