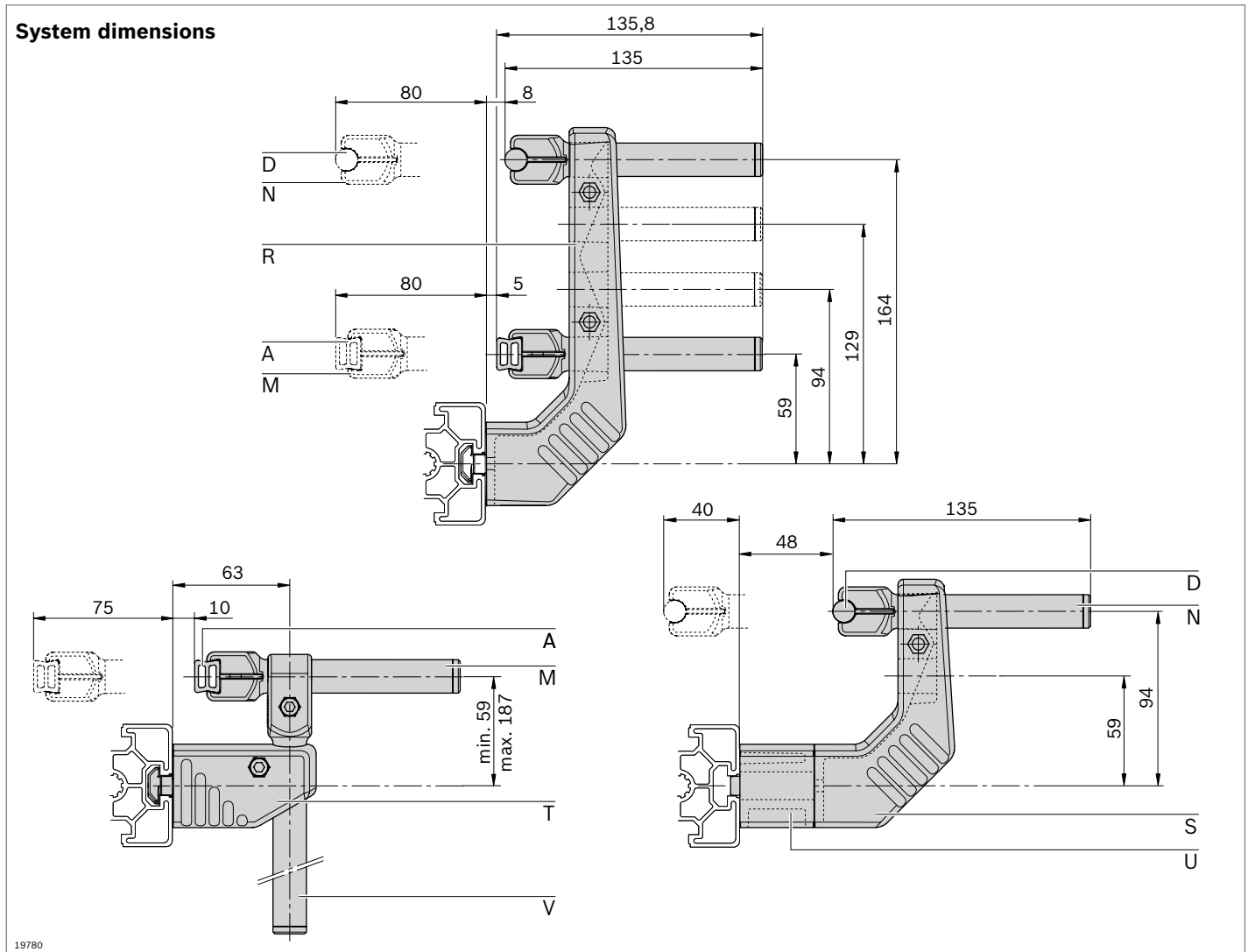


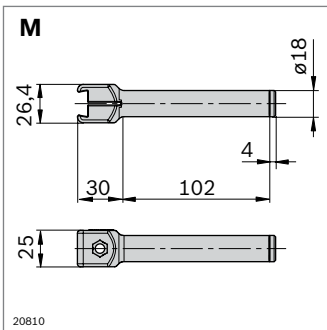
Holder for lateral guide, flexible



- ▶ Holders and clamping holders make variable adjustment of the guide height and width possible
- ▶ Easy to clean

Note: For stability in the direction of rotation, at least 2 holders must be connected with a continuous profile rail.

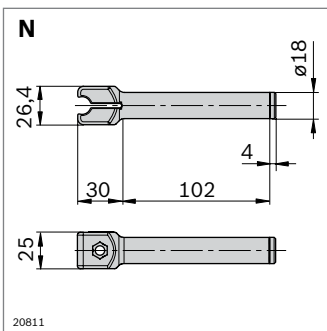




- ▶ Clamping holder C L100 for supporting aluminum (A), HDPE (B) or 17x17.5 (C) profile rails
- ▶ Scaling in mm and inches for simple alignment

Clamping holder C L100	No.
	10 3 842 539 499

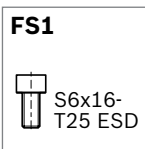
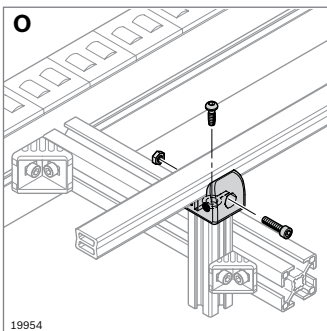
Material: Clamping holder: PA; black
Nut, bolt: Steel; stainless
Accessories: Plug (X)



- ▶ Clamping holder D12 for supporting profile rails D12 (D)
- ▶ Scaling in mm and inches for simple alignment

Clamping holder D12 L100	No.
	10 3 842 539 498

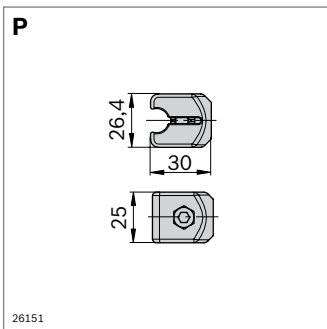
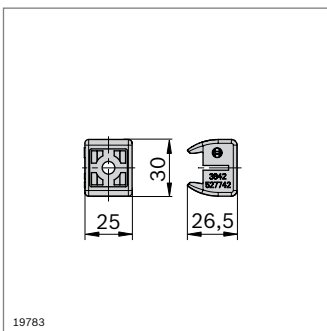
Material: Clamping holder: PA; black
Nut, bolt: Steel; stainless
Accessories: Plug (Z)



- ▶ Clamping head for supporting aluminum (A), HDPE (B) profile rails, or stainless steel profile rails with PE guide (C)
- ▶ Direct mounting on profiles with 10 mm slot

Clamping head	No.	FS
Set	10 3 842 528 009	FS1

Material: Clamping holder: PA; black
Fastening material: steel; galvanized
Scope of delivery: incl. fastening material (FS)



- ▶ Clamping holder D12 for supporting profile rails D12 (D)
- ▶ In conjunction with tube 18 (W) to build longer clamping holders

Clamping holder D12	No.
P	10 3 842 547 227

Material: Clamping holder: PA; black
Nut, bolt: Steel; stainless
Accessories: Plug (Z), tube D18 (W)