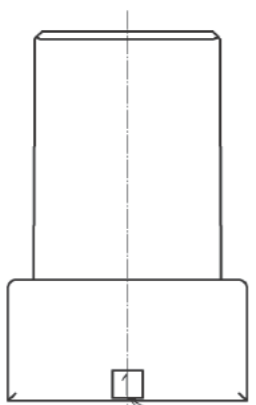
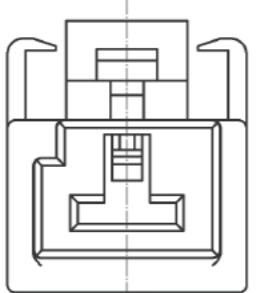
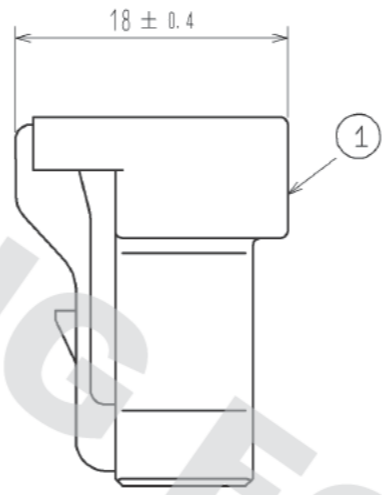
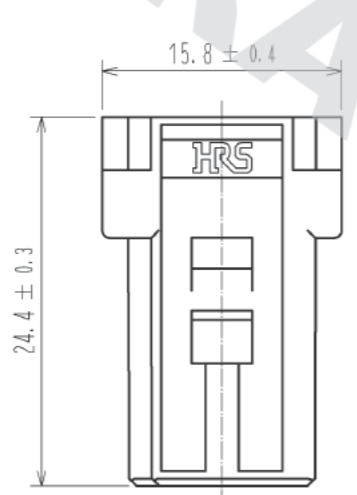
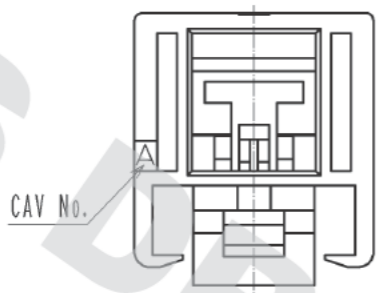


DRAWING FOR REFERENCE: This is subject to change without notice  
05/31/2013



Number of Contact

NOTE1. Per Pack : 100 Pieces

NO.	MATERIAL	FINISH . REMARKS	NO.	MATERIAL	FINISH . REMARKS
1	PBT			Black, UL94-V0	

UNITS	SCALE	COUNT	DESCRIPTION OF REVISIONS	DESIGNED	CHECKED	DATE
mm	2 : 1	△				
			APPROVED : KI. AKIYAMA	12.05.17	DRAWING NO. EDC3-338978-01	
			CHECED : OM. MIYAMOTO	12.05.17	PART NO. DF60-1S-10.16C	
			DESIGNED : SZ. ONO	12.05.16	CODE NO. CL680-3009-9-00	
			DRAWN : SZ. ONO	12.05.16	△ 1/1	