

Product Information

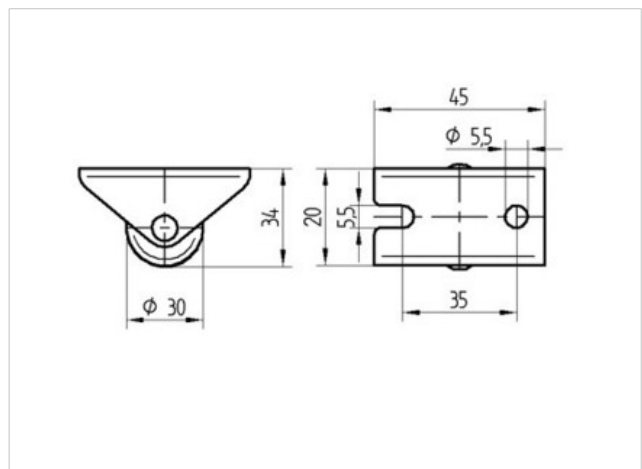


2198UOI030P60-45X20

EAN 4031582030068

Fixed castor, Fork made of pressed steel, bright zinc plated, blue passivated, axle riveted, plate fitting.
Wheel centre made of Polyamide, plain bearing

Technical Data	
Wheel diameter	30 mm
Width of Tread	15 mm
Size of Plate	45 x 20 mm
Plate hole centres	35 mm
Plate hole	5,5 mm
Overall height	34 mm
Temperature	- 40 / + 80 °C
Standard	EN 12528
Weight	0.031 kg
Hardness of tread	D 75 Shore
Load capacity	30 kg
Load capacity (static)	60 kg



Roll performance	+	+	+	+	+
Movement noise	+	+	+	+	+
Attrition	+	+	+	+	+
Corrosion resistance	+	+	+	+	+