

## Distributed I/O device - FLS DN M12 DI 16 M12 - 2736327

Please be informed that the data shown in this PDF Document is generated from our Online Catalog. Please find the complete data in the user's documentation. Our General Terms of Use for Downloads are valid (<http://download.phoenixcontact.com>)




The stand-alone device for DeviceNet™ has 16 digital inputs. The M12 connection is established using fast connection technology. The 24 V DC supply is protected against short circuit and overload. The nominal current of the device is 1.2 A.

### Why buy this product

- Flexible power supply concept
- Short-circuit and overload protection
- SPEEDCON fast locking system
- Diagnostic and status indicators
- Consistent connection via M12 connectors
- Directly accessible address encoding switch



### Key commercial data

Packing unit	1 pc
GTIN	 4 017918 960087
Weight per Piece (excluding packing)	292.84 g
Custom tariff number	85176200
Country of origin	Germany

### Technical data

#### Note:

Utilization restriction	EMC: class A product, see manufacturer's declaration in the download area
-------------------------	---

#### Dimensions

Width	60 mm
Height	161 mm
Depth	44.5 mm
Drill hole spacing	151 mm

#### Ambient conditions

Ambient temperature (operation)	-25 °C ... 60 °C
---------------------------------	------------------

# Distributed I/O device - FLS DN M12 DI 16 M12 - 2736327

## Technical data

### Ambient conditions

Ambient temperature (storage/transport)	-25 °C ... 85 °C
Permissible humidity (storage/transport)	95 %
Air pressure (operation)	80 kPa ... 106 kPa (up to 2000 m above sea level)
Air pressure (storage/transport)	70 kPa ... 106 kPa (up to 3000 m above sea level)
Degree of protection	IP65/67

### General

Weight	310 g
Mounting type	Wall mounting
Protection class	III, IEC 61140, EN 61140, VDE 0140-1
Test section	To I/O 500 V AC 50 Hz 1 min
Mechanical tests	Shock in acc. with EN 60068-2-27/IEC 60068-2-27 Load 30 g, half sine wave, positive and negative per direction

### Interfaces

Fieldbus system	DeviceNet™
Name	DeviceNet™
Connection method	2 M12 connectors, A-coded
Transmission speed	125 kBit/s, 250 kBit/s, 500 kBit/s (Automatic baud rate detection)
Transmission physics	Copper cable in acc. with DeviceNet™ specification
Address area assignment	0 ... 63, can be set
Number of positions	5

### Power supply for module electronics

Connection method	M12 connector, (A-coded)
Name	U <sub>L</sub>
Supply voltage	24 V DC
Supply voltage range	12 V DC ... 30 V DC IEC 61131-2 (including ripple)

### Fieldline potentials

Voltage supply U <sub>L</sub>	24 V DC
Power supply at U <sub>L</sub>	max. 4 A
Current consumption from U <sub>L</sub>	typ. 65 mA
	max. 100 mA
Voltage supply U <sub>S</sub>	24 V DC
Power supply at U <sub>S</sub>	max. 4 A
Current consumption from U <sub>S</sub>	typ. 8 mA (plus sensor current)
	max. 1.2 A

### Digital inputs

Input name	Digital inputs
Connection method	M12 connector, double occupancy
	2, 3, 4-wire

# Distributed I/O device - FLS DN M12 DI 16 M12 - 2736327

## Technical data

### Digital inputs

Number of inputs	16
Protective circuit	Protection against polarity reversal
Filter time	1 ms
Input characteristic curve	IEC 61131-2 type 1
Input voltage	24 V DC
Input voltage range "0" signal	-30 V DC ... 5 V DC
Input voltage range "1" signal	13 V DC ... 30 V DC

## Classifications

### eCl@ss

eCl@ss 4.0	27250302
eCl@ss 4.1	27250302
eCl@ss 5.0	27250302
eCl@ss 5.1	27242604
eCl@ss 6.0	27242604
eCl@ss 7.0	27242604
eCl@ss 8.0	27242604

### ETIM

ETIM 2.0	EC001430
ETIM 3.0	EC001599
ETIM 4.0	EC001599
ETIM 5.0	EC001599

### UNSPSC

UNSPSC 6.01	43172015
UNSPSC 7.0901	43201404
UNSPSC 11	43172015
UNSPSC 12.01	43201404
UNSPSC 13.2	43201404

## Approvals

### Approvals

#### Approvals

UL Recognized / cUL Recognized / DeviceNet / null / DeviceNet / null / null / null / null / null / null / null / null / DeviceNet / null / null / null / null / null / null / null / null / null / null / DeviceNet / null / null / null / null / null / cULus Recognized

# Distributed I/O device - FLS DN M12 DI 16 M12 - 2736327

## Approvals

Ex Approvals

UL Recognized / cUL Recognized / cULus Recognized


---

Approvals submitted

---

### Approval details

UL Recognized 

cUL Recognized 

DeviceNet

DeviceNet



## Distributed I/O device - FLS DN M12 DI 16 M12 - 2736327

### Accessories

Circular connector (cable-side)

Bus system connector - SACC-M12MS-5CON-PG 9 SH AU - 1508352



Bus system connector, male, straight, 5-pos., M12, shielded, gold-plated contacts, A-coded, screw connection, metal knurl, cable screw connection Pg9

---

Bus system connector - SACC-M12FS-5CON-PG 9 SH AU - 1508365



Bus system connector, female straight, 5-pos., M12, shielded, gold-plated contacts, A-coded, screw connection, metal knurl, cable screw connection Pg9

---

### Data cable preassembled

Bus system cable - SAC-5P-M12MS/ 2,0-920 - 1507421



Bus system cable, CANopen<sup>®</sup>, DeviceNet<sup>™</sup>, 5-position, PUR halogen-free, Violet, RAL 4001, shielded, Plug straight M12, A-coded, on Free cable end, Cable length: 2 m

---

Bus system cable - SAC-5P-M12MS/ 5,0-920 - 1507434



Bus system cable, CANopen<sup>®</sup>, DeviceNet<sup>™</sup>, 5-position, PUR halogen-free, Violet, RAL 4001, shielded, Plug straight M12, A-coded, on Free cable end, Cable length: 5 m

---

Bus system cable - SAC-5P-M12MS/10,0-920 - 1507447



Bus system cable, CANopen<sup>®</sup>, DeviceNet<sup>™</sup>, 5-position, PUR halogen-free, Violet, RAL 4001, shielded, Plug straight M12, A-coded, on Free cable end, Cable length: 10 m

---

## Distributed I/O device - FLS DN M12 DI 16 M12 - 2736327

### Accessories

Bus system cable - SAC-5P-M12MS/15,0-920 - 1507450



Bus system cable, CANopen<sup>®</sup>, DeviceNet<sup>™</sup>, 5-position, PUR halogen-free, Violet, RAL 4001, shielded, Plug straight M12, A-coded, on Free cable end, Cable length: 15 m

---

Bus system cable - SAC-5P- 2,0-920/M12FS - 1507476



Bus system cable, CANopen<sup>®</sup>, DeviceNet<sup>™</sup>, 5-position, PUR halogen-free, Violet, RAL 4001, shielded, Free cable end, on Socket straight M12, A-coded, Cable length: 2 m

---

Bus system cable - SAC-5P- 5,0-920/M12FS - 1507489



Bus system cable, CANopen<sup>®</sup>, DeviceNet<sup>™</sup>, 5-position, PUR halogen-free, Violet, RAL 4001, shielded, Free cable end, on Socket straight M12, A-coded, Cable length: 5 m

---

Bus system cable - SAC-5P-10,0-920/M12FS - 1507492



Bus system cable, CANopen<sup>®</sup>, DeviceNet<sup>™</sup>, 5-position, PUR halogen-free, Violet, RAL 4001, shielded, Free cable end, on Socket straight M12, A-coded, Cable length: 10 m

---

Bus system cable - SAC-5P-15,0-920/M12FS - 1507502



Bus system cable, CANopen<sup>®</sup>, DeviceNet<sup>™</sup>, 5-position, PUR halogen-free, Violet, RAL 4001, shielded, Free cable end, on Socket straight M12, A-coded, Cable length: 15 m

---

## Distributed I/O device - FLS DN M12 DI 16 M12 - 2736327

### Accessories

Bus system cable - SAC-5P-M12MS/ 0,3-920/M12FS - 1507528



Bus system cable, CANopen<sup>®</sup>, DeviceNet<sup>™</sup>, 5-position, PUR halogen-free, Violet, RAL 4001, shielded, Plug straight M12, A-coded, on Socket straight M12, A-coded, Cable length: 0.3 m

---

Bus system cable - SAC-5P-M12MS/ 0,5-920/M12FS - 1507531



Bus system cable, CANopen<sup>®</sup>, DeviceNet<sup>™</sup>, 5-position, PUR halogen-free, Violet, RAL 4001, shielded, Plug straight M12, A-coded, on Socket straight M12, A-coded, Cable length: 0.5 m

---

Bus system cable - SAC-5P-M12MS/ 1,0-920/M12FS - 1507544



Bus system cable, CANopen<sup>®</sup>, DeviceNet<sup>™</sup>, 5-position, PUR halogen-free, Violet, RAL 4001, shielded, Plug straight M12, A-coded, on Socket straight M12, A-coded, Cable length: 1 m

---

Bus system cable - SAC-5P-M12MS/ 2,0-920/M12FS - 1507557



Bus system cable, CANopen<sup>®</sup>, DeviceNet<sup>™</sup>, 5-position, PUR halogen-free, Violet, RAL 4001, shielded, Plug straight M12, A-coded, on Socket straight M12, A-coded, Cable length: 2 m

---

Bus system cable - SAC-5P-M12MS/ 5,0-920/M12FS - 1507560



Bus system cable, CANopen<sup>®</sup>, DeviceNet<sup>™</sup>, 5-position, PUR halogen-free, Violet, RAL 4001, shielded, Plug straight M12, A-coded, on Socket straight M12, A-coded, Cable length: 5 m

---

## Distributed I/O device - FLS DN M12 DI 16 M12 - 2736327

### Accessories

Bus system cable - SAC-5P-M12MS/10,0-920/M12FS - 1507573



Bus system cable, CANopen<sup>®</sup>, DeviceNet<sup>™</sup>, 5-position, PUR halogen-free, Violet, RAL 4001, shielded, Plug straight M12, A-coded, on Socket straight M12, A-coded, Cable length: 10 m

Bus system cable - SAC-5P-M12MS/15,0-920/M12FS - 1507586



Bus system cable, CANopen<sup>®</sup>, DeviceNet<sup>™</sup>, 5-position, PUR halogen-free, Violet, RAL 4001, shielded, Plug straight M12, A-coded, on Socket straight M12, A-coded, Cable length: 15 m

### Distributor with cable

Sensor/Actuator cable - SAC-4P-M12Y/2X0,3-PUR/M12FS VP - 1510722



Sensor/Actuator cable, 4-position, PUR halogen-free, Black-gray RAL 7021, Plug straight M12, A-coded, on Socket straight M12, A-coded and Socket straight M12, A-coded, Cable length: 0.3 m, Parallel distributor

### Protective cap

Screw plug - PROT-M12 - 1680539



An M12 screw plug for the unoccupied M12 sockets of the sensor/actuator cable, boxes and flush-type connectors

### Sensor/actuator cable

Sensor/Actuator cable - SAC-4P-M12MS/ 2,0-186 - 1509445



Sensor/Actuator cable, 4-position, PUR, Black-gray RAL 7021, Plug straight M12, A-coded, on Free cable end, Cable length: 2 m

## Distributed I/O device - FLS DN M12 DI 16 M12 - 2736327

### Accessories

Sensor/Actuator cable - SAC-4P-M12MS/ 5,0-186 - 1509458



Sensor/Actuator cable, 4-position, PUR, Black-gray RAL 7021, Plug straight M12, A-coded, on Free cable end, Cable length: 5 m

---

Sensor/Actuator cable - SAC-4P-M12MS/10,0-186 - 1509461



Sensor/Actuator cable, 4-position, PUR, Black-gray RAL 7021, Plug straight M12, A-coded, on Free cable end, Cable length: 10 m

---

Sensor/Actuator cable - SAC-4P-M12MS/15,0-186 - 1509474



Sensor/Actuator cable, 4-position, PUR, Black-gray RAL 7021, Plug straight M12, A-coded, on Free cable end, Cable length: 15 m

---

Sensor/Actuator cable - SAC-4P- 2,0-186/M12FS - 1509487



Sensor/Actuator cable, 4-position, PUR, Black-gray RAL 7021, Free cable end, on Socket straight M12, A-coded, Cable length: 2 m

---

Sensor/Actuator cable - SAC-4P- 5,0-186/M12FS - 1509490



Sensor/Actuator cable, 4-position, PUR, Black-gray RAL 7021, Free cable end, on Socket straight M12, A-coded, Cable length: 5 m

---

## Distributed I/O device - FLS DN M12 DI 16 M12 - 2736327

### Accessories

Sensor/Actuator cable - SAC-4P-10,0-186/M12FS - 1509500



Sensor/Actuator cable, 4-position, PUR, Black-gray RAL 7021, Free cable end, on Socket straight M12, A-coded, Cable length: 10 m

---

Sensor/Actuator cable - SAC-4P-15,0-186/M12FS - 1509513



Sensor/Actuator cable, 4-position, PUR, Black-gray RAL 7021, Free cable end, on Socket straight M12, A-coded, Cable length: 15 m

---

Sensor/Actuator cable - SAC-4P-M12MS/ 0,3-186/M12FS - 1509526



Sensor/Actuator cable, 4-position, PUR, Black-gray RAL 7021, Plug straight M12, A-coded, on Socket straight M12, A-coded, Cable length: 0.3 m

---

Sensor/Actuator cable - SAC-4P-M12MS/ 0,5-186/M12FS - 1509539



Sensor/Actuator cable, 4-position, PUR, Black-gray RAL 7021, Plug straight M12, A-coded, on Socket straight M12, A-coded, Cable length: 0.5 m

---

Sensor/Actuator cable - SAC-4P-M12MS/ 1,0-186/M12FS - 1509542



Sensor/Actuator cable, 4-position, PUR, Black-gray RAL 7021, Plug straight M12, A-coded, on Socket straight M12, A-coded, Cable length: 1 m

---

## Distributed I/O device - FLS DN M12 DI 16 M12 - 2736327

### Accessories

Sensor/Actuator cable - SAC-4P-M12MS/ 2,0-186/M12FS - 1509555



Sensor/Actuator cable, 4-position, PUR, Black-gray RAL 7021, Plug straight M12, A-coded, on Socket straight M12, A-coded, Cable length: 2 m

---

Sensor/Actuator cable - SAC-4P-M12MS/ 5,0-186/M12FS - 1509568



Sensor/Actuator cable, 4-position, PUR, Black-gray RAL 7021, Plug straight M12, A-coded, on Socket straight M12, A-coded, Cable length: 5 m

---

Sensor/Actuator cable - SAC-4P-M12MS/10,0-186/M12FS - 1509571



Sensor/Actuator cable, 4-position, PUR, Black-gray RAL 7021, Plug straight M12, A-coded, on Socket straight M12, A-coded, Cable length: 10 m

---

Sensor/Actuator cable - SAC-4P-M12MS/15,0-186/M12FS - 1509584



Sensor/Actuator cable, 4-position, PUR, Black-gray RAL 7021, Plug straight M12, A-coded, on Socket straight M12, A-coded, Cable length: 15 m

---

### T-distributor

Bus system T-connector - SAC-M12T/2XM12 CAN - 1507793



Bus system T-connector, 5-pos., DeviceNet™/CANopen, M12 socket to M12 socket and M12 plug

---

### Terminal marking

## Distributed I/O device - FLS DN M12 DI 16 M12 - 2736327

### Accessories

Zack Marker strip, flat - ZBF 12:UNBEDRUCKT - 0809735



Zack Marker strip, flat, Strip, white, Unlabeled, Can be labeled with: Plotter, Mounting type: Snap into flat marker groove, For terminal block width: 12 mm, Lettering field: 5.15 x 12.15 mm

---

### Terminal resistor

Termination resistor - SAC-5P-M12MS CAN TR - 1507816



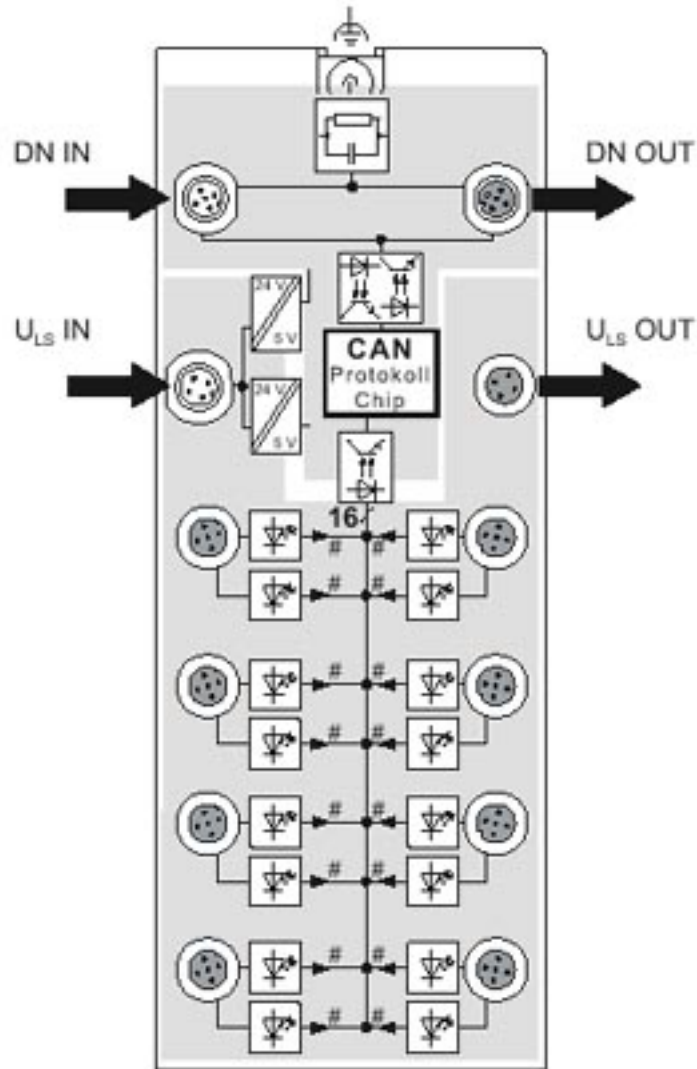
Terminating resistor CANopen<sup>®</sup>/DeviceNet<sup>™</sup> M12

---

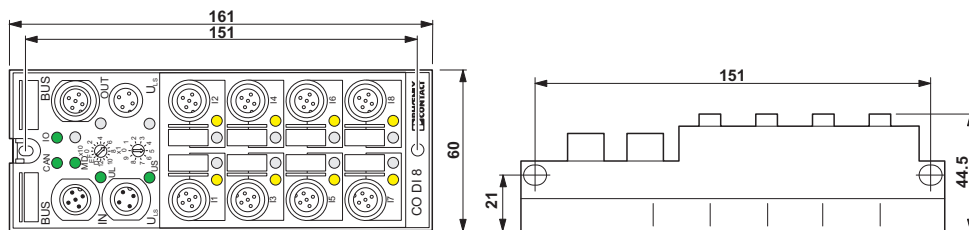
### Drawings

# Distributed I/O device - FLS DN M12 DI 16 M12 - 2736327

Block diagram



Dimensioned drawing



## Distributed I/O device - FLS DN M12 DI 16 M12 - 2736327

Connection diagram

