

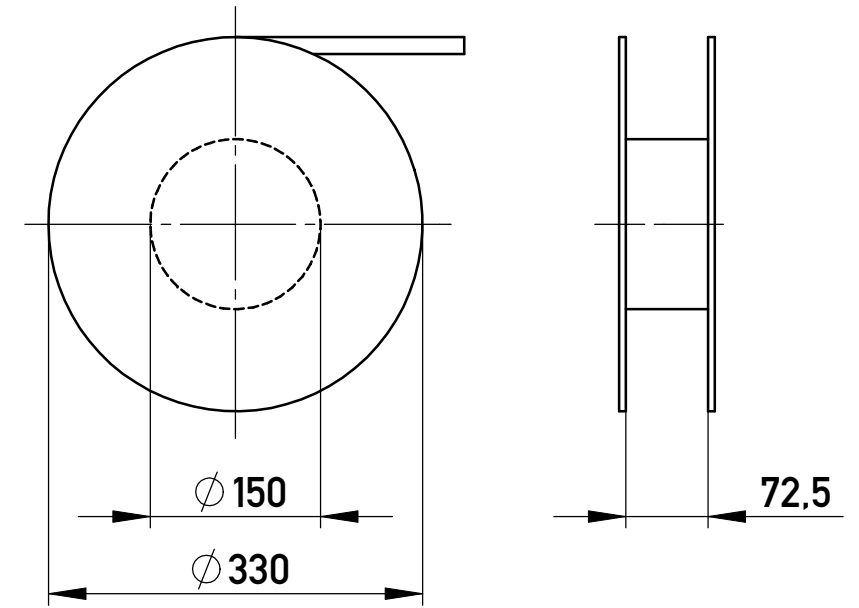
Verpackt in Gurtverpackung - *Tape on Reel Packaging*
 Verpackungseinheit: 280 Stück - *Packaging unit: 280 pcs*

Anforderungsstufe 1
Performance Level 1

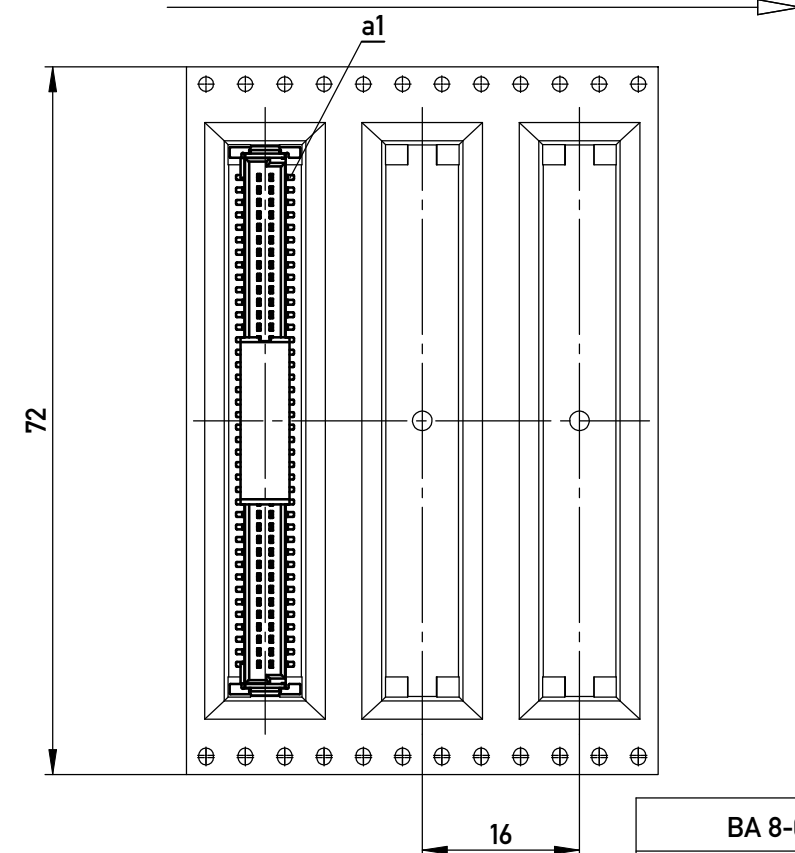
Kontaktbereich vergoldet
Mating Area gold plating

Anschlussbereich verzinkt 4-6 µm
Terminal Area 4-6 µm tin plating

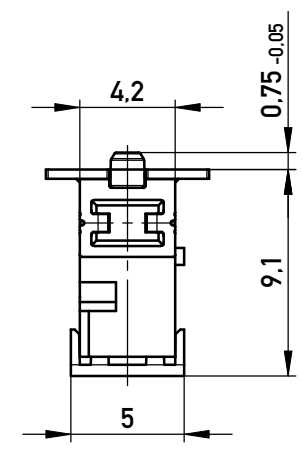
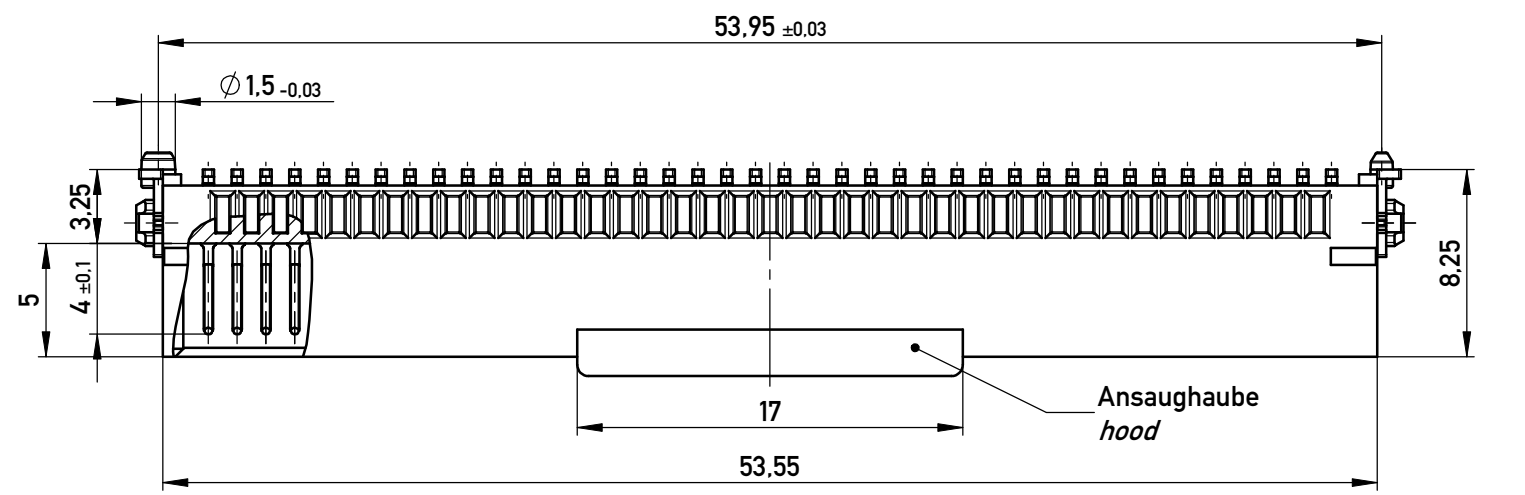
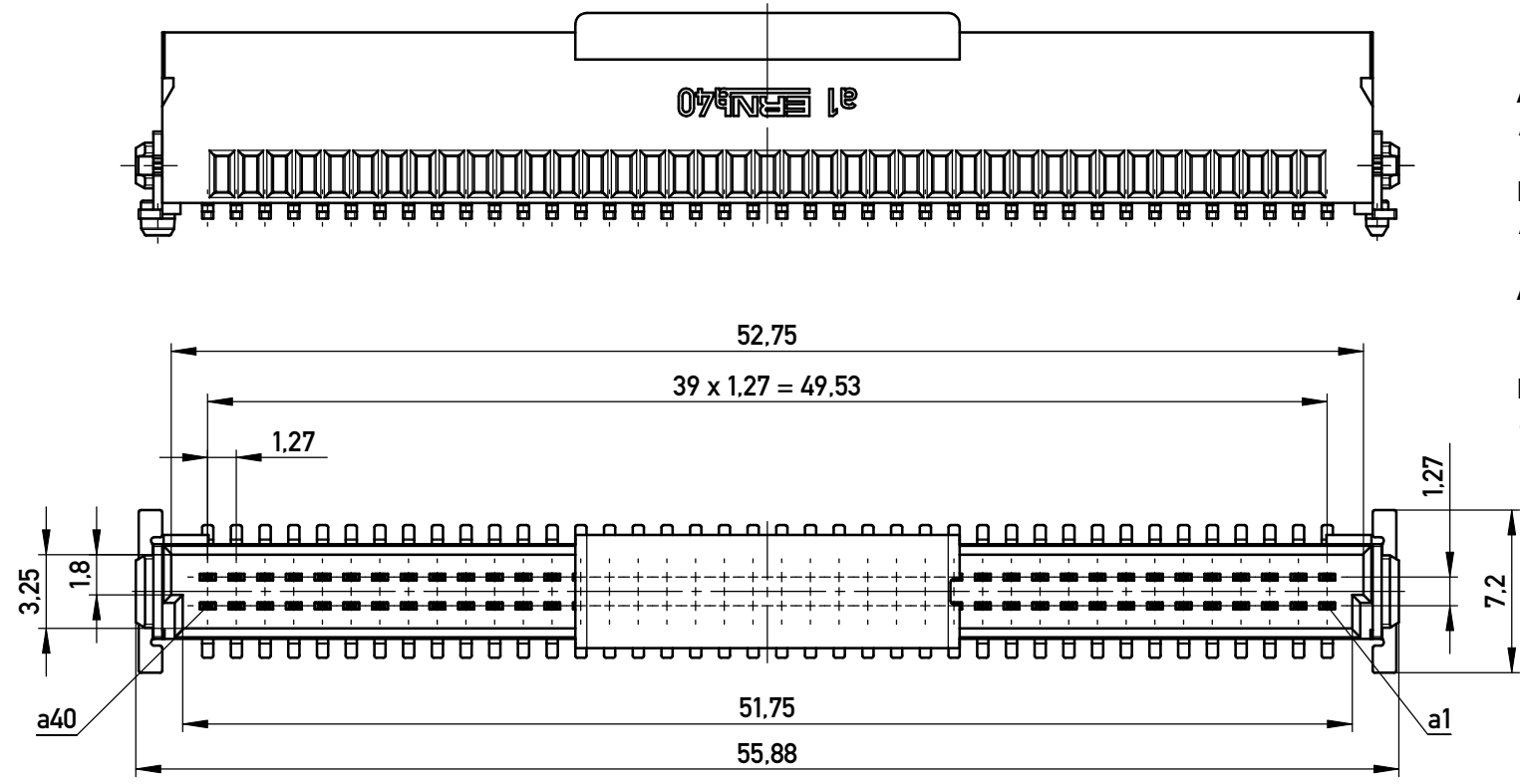
Koplanarität der Anschlüsse ≤ 0,1 mm
Coplanarity Area of Termination ≤ 0,1 mm



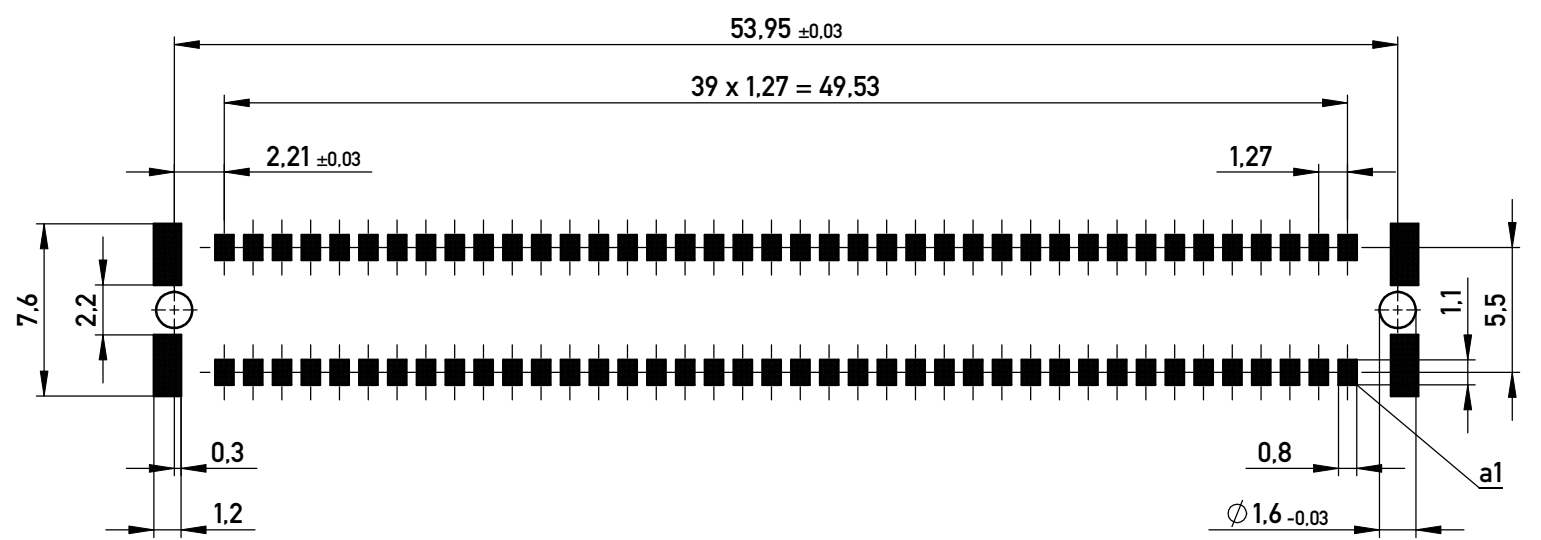
Abspulrichtung - *Reel off Direction*



BA 8-03 - Standard Bauhöhe
type 8-03 - Standard Assembly Height



Leiterplatten-Layout Vorschlag für SMT
PCB-Layout Proposal for SMT



Copyright by ERNI GmbH
 Proprietary notice pursuant to ISO 16016 to be observed.

Information:		Tolerances	Scale 3:1
All rights reserved. Only for Information. To ensure that this is the latest version of this drawing, please contact one of the ERNI companies before using.		All Dimensions in mm	
Subject to modification without prior notice. Drawing will not be updated.		Designation	Messerrl. SMC-Q 80-SMD-BA8-03 Male SMC-Q 80-SMD-type8-03
www.ERNI.com		244858	I
b	27.10.2010	Class	SMCQ
Index	Date		A3