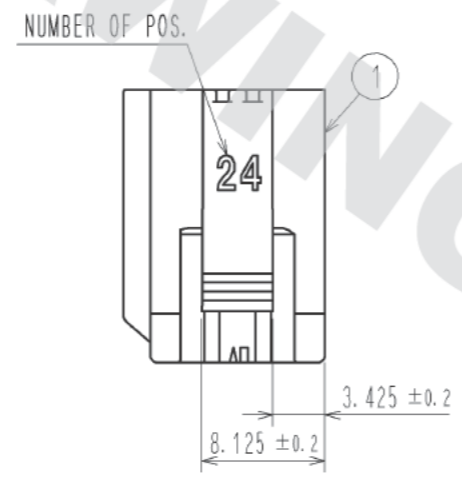
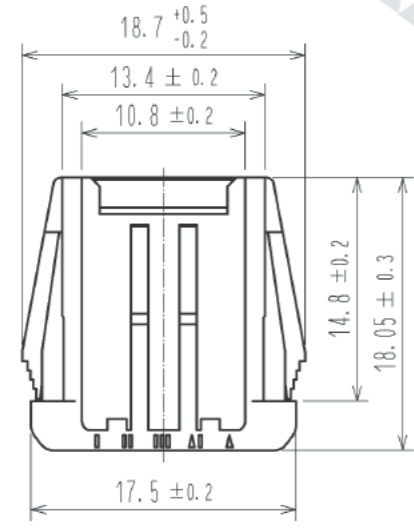
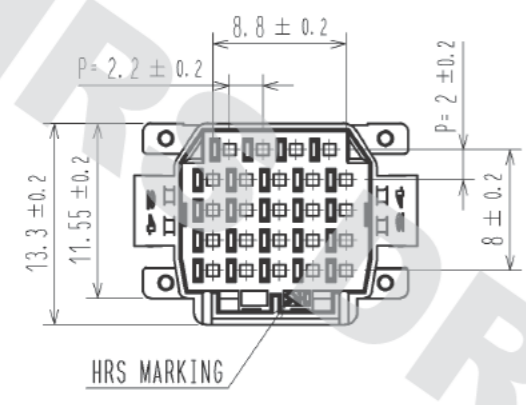
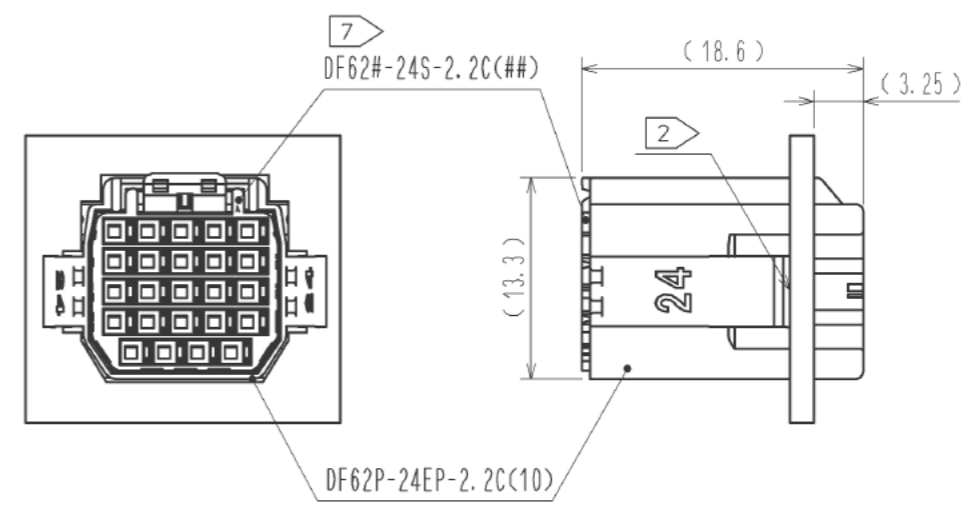


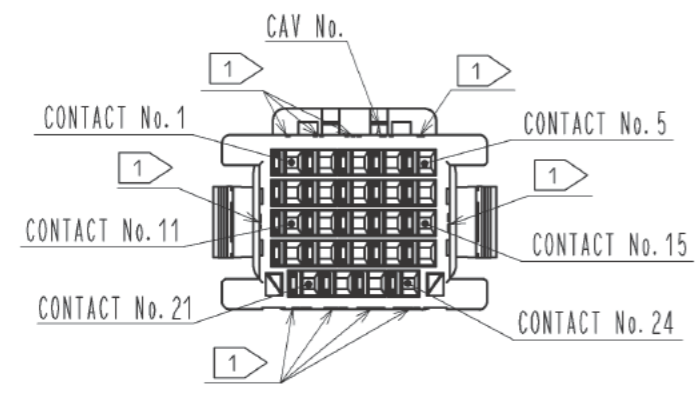
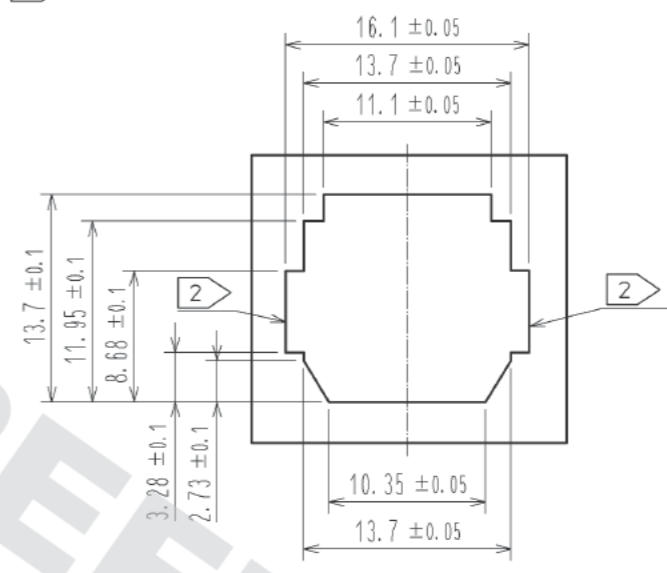
DRAWING FOR REFERENCE: This is subject to change without notice
05/31/2014



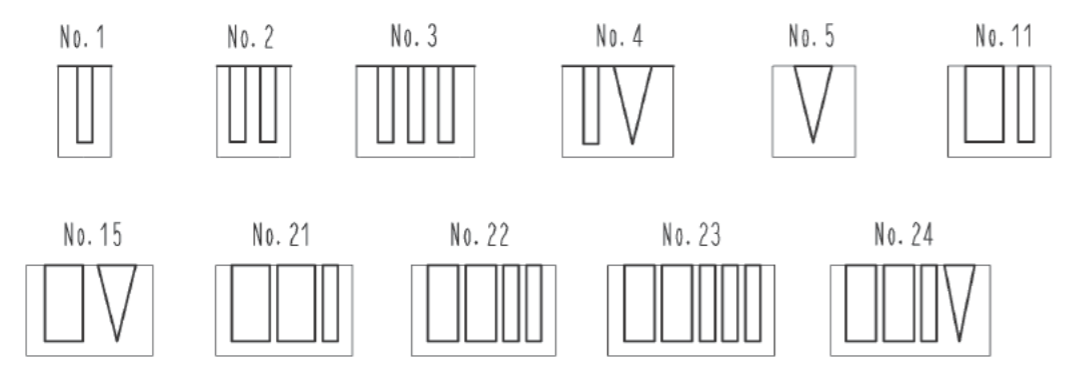
7 MATING FIGURE (PANEL MOUNTED)



3 4 RECOMMENDED PANEL CUTOUT DIMENSION



1 FIGURE-1 CONTACT No. MARKING (10:1)



- NOTE. 1 MARKINGS AT THE INDICATED POSITIONS ARE CONTACT NO. MARKING. AND SHAPES ARE SHOWN IN FIGURE-1.
 2 PLEASE USE THE NON-RADIUS SIDE FOR THE PANEL HOOKING AREA.
 3 APPLICABLE PANEL THICKENING IS 2.3 TO 0.5mm.
 4 CONSULT HIROSE FOR THE OTHER PANEL CUTOUT DESIGNS THAN THE RECOMMENDED ONE.
 5. PER PACK : 100 PIECES.
 6. THE DIMENSIONS IN PARENTHESIS ARE FOR REFERENCE.
 7 THIS FIGURE SHOWS THE MATED CONDITION WITH DF62B-24S-2.2C.

NO.		MATERIAL		FINISH . REMARKS		1	PBT	UL94V-0(CWHITE)		
UNITS mm		SCALE 2 : 1		COUNT		DESCRIPTION OF REVISIONS		DESIGNED	CHECKED	DATE
HRS		HIROSE ELECTRIC CO., LTD.		APPROVED : KI. AKIYAMA		14. 03. 10		DRAWING NO. EDC3-349142-01		
				CHECKED : HK. UMEHARA		14. 03. 10		PART NO. DF62P-24EP-2.2C(10)		
				DESIGNED : TS. KUMAZAWA		14. 03. 07		CODE NO. CL544-0550-7-10		
				DRAWN : TS. KUMAZAWA		14. 03. 07		1/1		