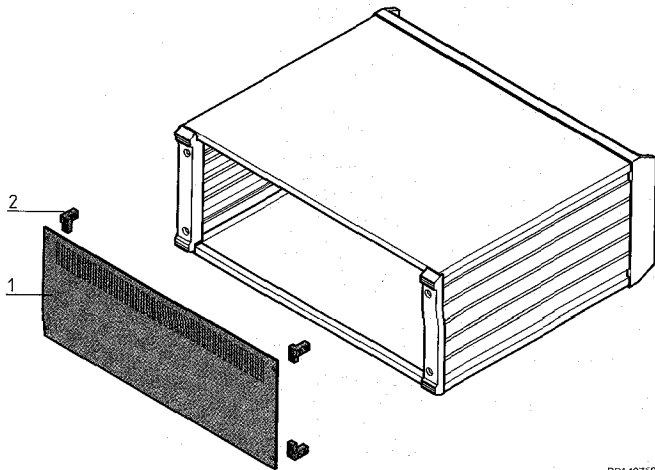
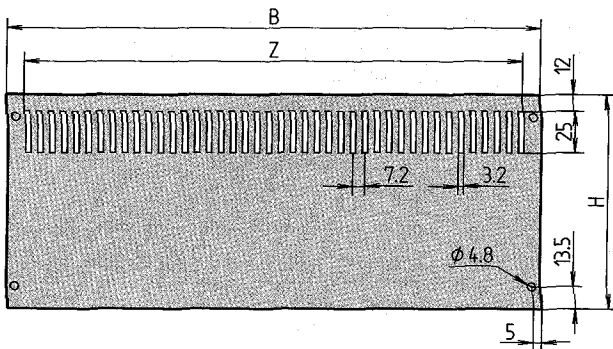


propac



PPA43750

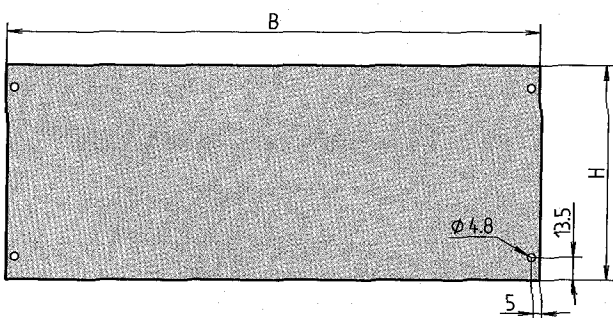
**Dimensions**



	W for case width				H
	28 HP	42 HP	63 HP	84 HP	
2 U	-	-	-	-	84
3 U	142	213	320	426	128.5
4 U	-	-	-	-	172.9
6 U	-	-	-	426	261.8
Z	118	190	298	406	

PPA43682

**Dimensions**



	W for case width				H
	28 HP	42 HP	63 HP	84 HP	
2 U	-	-	-	-	84
3 U	142	213	320	426	128.5
4 U	-	-	-	-	172.9
6 U	-	-	-	426	261.8

PPA45103

**Selecting full-width rear panel, unshielded**

**Delivery comprises**

Item	Qty	Description	Material	Finish	Notes
1	1	Full-width rear panel	Al	anodized, cut edges clean	28, 42, 63 HP = 2 mm 84 HP = 2.5 mm
2	4	Support bracket	Zn die-cast		
	1 kit	Assembly parts			

**Delivery:** in kit form

**Ordering full-width rear panel, unshielded with vent slots**

Case width HP	Order No. for 1 kit			
	2 U	3 U	4 U	6 U
28	-	<b>20850-050</b>	-	-
42	<b>20850-044</b>	<b>20850-051</b>	<b>20850-058</b>	-
63	<b>20850-045</b>	<b>20850-052</b>	<b>20850-059</b>	-
84	<b>20850-046</b>	<b>20850-053</b>	<b>20850-060</b>	<b>20850-074</b>

GND/earthing of the rear panel with GND/earthing kit ..... page 21.19

Order No. **21101-399**

**Ordering full-width rear panel, unshielded without vent slots**

Case width HP	Order No. for 1 kit			
	2 U	3 U	4 U	6 U
28	-	<b>20850-364</b>	-	-
42	<b>20850-359</b>	<b>20850-365</b>	<b>20850-372</b>	-
63	<b>20850-360</b>	<b>20850-366</b>	<b>20850-373</b>	-
84	<b>20850-361</b>	<b>20850-367</b>	<b>20850-374</b>	<b>20850-381</b>

GND/earthing of the rear panel with GND/earthing kit ..... page 21.19

Order No. **21101-399**

**Drawing reference:**  
B = W = Width