

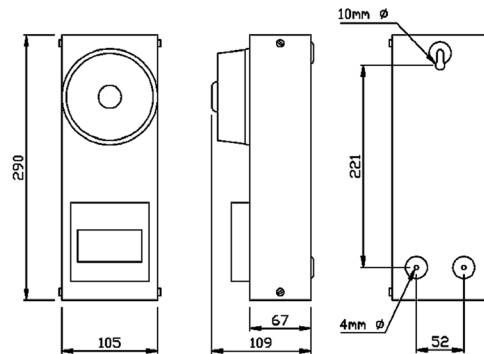
Klaxalarm Terrier

The Klaxalarm Terrier is a stand alone, self-contained fire alarm designed for use in small retail, industrial or temporary buildings as well as construction sites, camp sites or marquees. In addition it can be used as a temporary alarm when the main fire alarm system is under maintenance.

Several units can be interlinked to provide additional coverage so that when one call point is activated, all of the other units sound. When fitted with LR14 batteries, these units will operate in standby mode for over 3 years. An audible warning is emitted when the battery power level becomes low.

Features

- 98dB (A) Sounder
- Battery operated unit
- Combined call point and sounder
- Rugged metal construction
- Simple to install and operate
- Units can be linked to form a complete system
- Low battery warning
- Resets with a simple key



Specifications

Part No.	Colours	Audibility (tone) at 1m (typical)	Tones (Up to)	Voltage (50/60Hz)	Current (tone dependent)
TBA-0003	Red	Up to 98dB (A)	3	6x LR14 batteries	N/A

IP Rating: Indoor Operating Temp: -15°C to +45°C Construction: Steel Case Cable Entries: N/A Weight: 1.5kg