

Front plate - VS-SI-FP-DSUB9-DSUB15-GC-BU/ST - 1657711

Please be informed that the data shown in this PDF Document is generated from our Online Catalog. Please find the complete data in the user's documentation. Our General Terms of Use for Downloads are valid (<http://phoenixcontact.com/download>)

Front plate with contact inserts, plastic, 1x D-SUB 9 and 1x D-SUB 15, socket/pin



Illustration shows the product version VS-SI-FP-2RJ45-5-MOD-BU/BU



Key commercial data

| | |
|--------------------------------------|---|
| Packing unit | 1 pc |
| GTIN |  4 046356 118354 |
| Weight per Piece (excluding packing) | 44.6 g |
| Custom tariff number | 85369010 |
| Country of origin | Czech Republic |

Technical data

Mechanical characteristics

| | |
|-----------------|------|
| Number of slots | 2 |
| Color | gray |

Ambient conditions

| | |
|---------------------------------|------------------|
| Ambient temperature (operation) | -10 °C ... 60 °C |
| Degree of protection | IP20 |

Material data

| | |
|---|-----|
| Inflammability class according to UL 94 | V0 |
| Housing material | PBT |

Electrical characteristics

| | |
|-----------------------|-------|
| Rated voltage (III/3) | 125 V |
| Rated current | 3 A |

Front plate - VS-SI-FP-DSUB9-DSUB15-GC-BU/ST - 1657711

Classifications

eCl@ss

| | |
|------------|----------|
| eCl@ss 4.0 | 27140816 |
| eCl@ss 4.1 | 27140816 |
| eCl@ss 5.0 | 27189239 |
| eCl@ss 5.1 | 27189239 |
| eCl@ss 6.0 | 27144001 |
| eCl@ss 7.0 | 27144001 |

ETIM

| | |
|----------|----------|
| ETIM 2.0 | EC000007 |
| ETIM 3.0 | EC000007 |
| ETIM 4.0 | EC000007 |
| ETIM 5.0 | EC000456 |

UNSPSC

| | |
|---------------|----------|
| UNSPSC 6.01 | 31261501 |
| UNSPSC 7.0901 | 31261501 |
| UNSPSC 11 | 31261501 |
| UNSPSC 12.01 | 31261501 |
| UNSPSC 13.2 | 31261501 |

Approvals

Approvals

Approvals

EAC

Ex Approvals

Approvals submitted

Approval details

| |
|-----|
| EAC |
|-----|

Accessories

Accessories

Marking material

Front plate - VS-SI-FP-DSUB9-DSUB15-GC-BU/ST - 1657711

Accessories

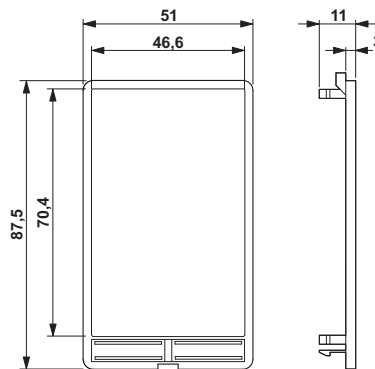
Marker labels - VS-SI-BZ - 1656660



Marker label, plastic, plate with 20 labels

Drawings

Dimensioned drawing



Front plate