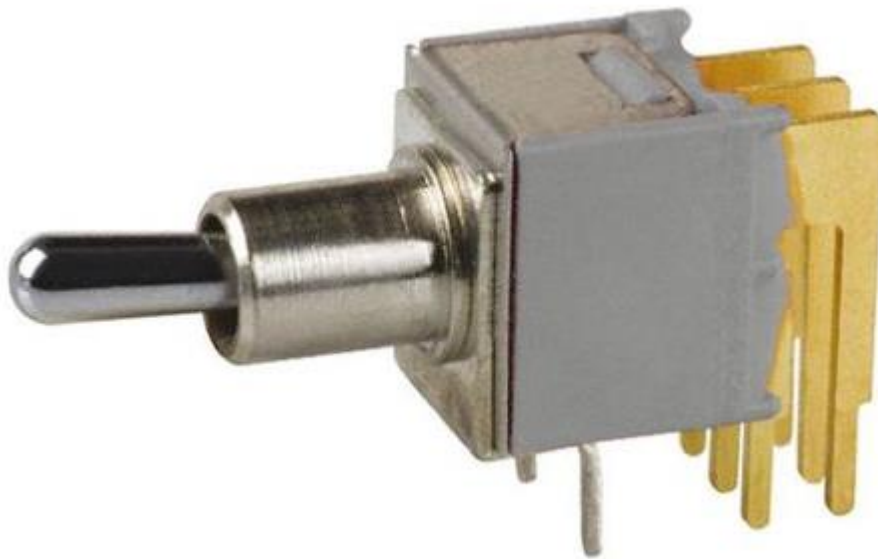


Datasheet

Sub-Miniature Toggle Switch

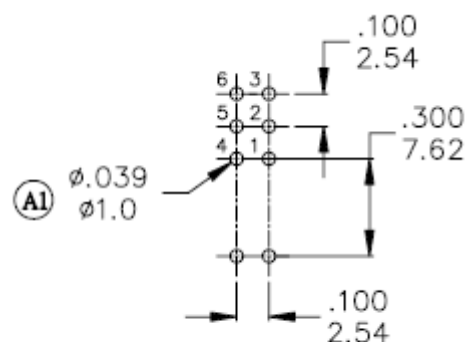
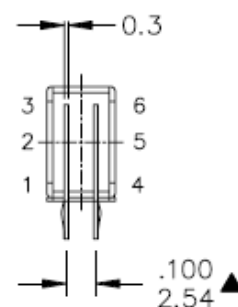
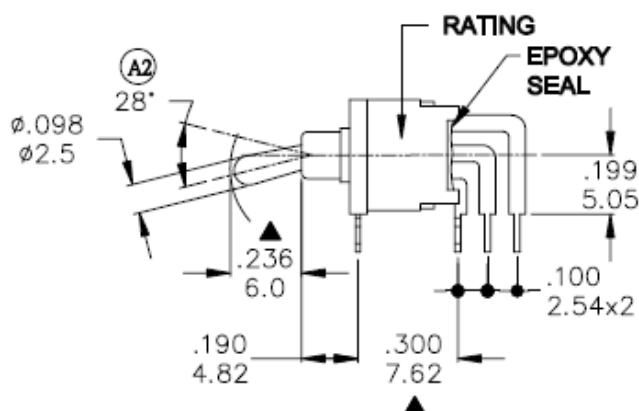
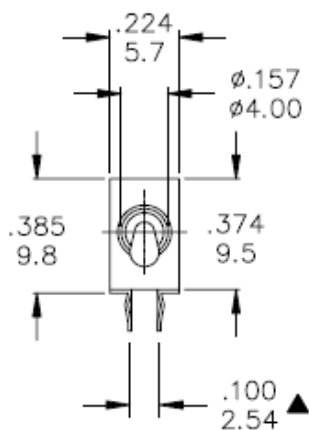
RS Stock number 734-7230



Specifications:

MECHANICAL LIFE:	40,000 make-and-break cycles at full load
CONTACT RESISTANCE:	50m Ω max. initial @ 2-4VDC 100mA for both silver and gold plated contacts
INSULATION RESISTANCE:	1000M Ω min.
DIELECTRIC STRENGTH:	500Vrms min. @ sea level.
OPERATING TEMPERATURE:	-30°C to 85°C.
Degree of Protection:	IP67
CASE:	Glass filled PBT (UL94v-0)
ACTUATOR:	Brass, chrome plated, internal O-ring seal
BUSHING & HOUSING:	SPCC
CONTACT/TERMINAL:	Phosphor bronze gold-plated over nickel barrier
SWITCH SUPPORT:	Brass, tin plated

Dimensions – inch
mm



P.C. MOUNTING

Model No.	POS.1	POS.2	POS.3
2TED1	ON	NONE	ON
Term. Comm.	2-3		2-1
SCHEMATIC		N/A	

SWITCH FUNCTION