

## 3478UAR080P62 red

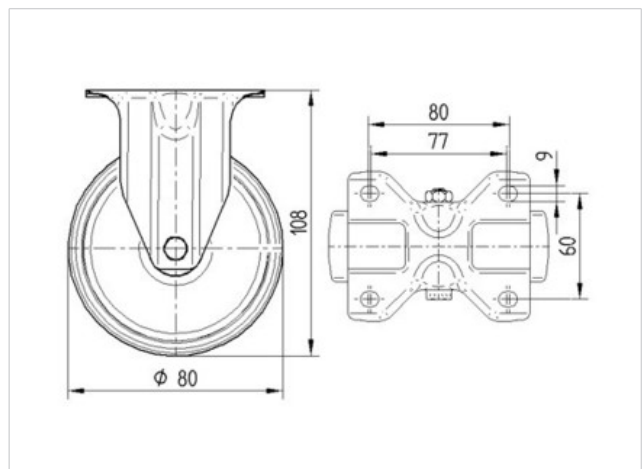
EAN 4031582369700

Fixed castor, Fork made of pressed steel, bright zinc plated, blue passivated, wheel axle with nut, plate fitting.

Wheel centre made of Polyamide, Tread: Polyurethane, roller bearing

Technical Data	
Wheel diameter	80 mm
Width of Tread	32 mm
Size of Plate	103 x 85 mm
Plate hole centres	80/77 x 60 mm
Plate hole	9 mm
Overall height	108 mm
Temperature	- 40 / + 80 °C
Standard	EN 12532
Weight	0.454 kg
Hardness of tread	D 42 Shore
Load capacity	100 kg
Load capacity (static)	200 kg

Roll performance	+	+	+	+	+
Movement noise	+	+	+	+	+
Attrition	+	+	+	+	+
Corrosion resistance	+	+	+	+	+





**3478UAR080P62 red**

EAN 4031582369700

