



# MASTER LEDspot LV

## MASTER LEDspotLV 4-20W CW MR16 36D

Delivering a warm, halogen-like accent beam, MASTER LEDspot LV is an ideal retrofit solution for spot and general lighting applications in the hospitality industry. It is particularly suited to public areas such as receptions, lobbies, corridors, stairwells and washrooms, where the light is on all the time. The robustly designed MASTER LEDspot offers a choice of beam angles for a clearly defined beam spread. There is no UV or IR in the beam, making it suitable for illuminating heat-sensitive objects (food, organic materials, paintings, etc.). Innovative active cooling technology - thanks to the fan inside - results in maximum performance of the lamp. The patented intelligent driver enables broad compatibility with existing electromagnetic and electronic halogen transformers. The dimmable versions drive further efficiencies, while helping to create the desired atmosphere.

### Product data

#### • General Characteristics

Bulb	MR16 [MR 16inch/50mm]
Rated Lifetime (hours)	45000 hr
Rated Lifetime (years)	30 an

#### • Light Technical Characteristics

Color Code	CW
Color Designation (text)	Cool White
Beam Angle	36 D
Beam Description	- [-]
Correlated Color Temperature	4000 K
Luminous Flux	240 Lm
Luminous Intensity	1150 cd
Color rendering index	80
Color Temperature	4000 K [CCT 4000K]
Rated Luminous Flux	240 Lm

#### • Electrical Characteristics

Wattage	4 W
Wattage Technical	4.0 W
Voltage	12 V
Line Frequency	50-60 Hz
Power Factor	0.7 -
Lamp Current mA	520 mA

Dimmable	No
Wattage Equivalent	20 W
Starting Time	0.5 (max) s

#### • Measuring Conditions

Switching cycle	50000x
-----------------	--------

#### • Product Dimensions

Diameter D	50 mm
Overall Length C	47.8 mm

#### • Product Data

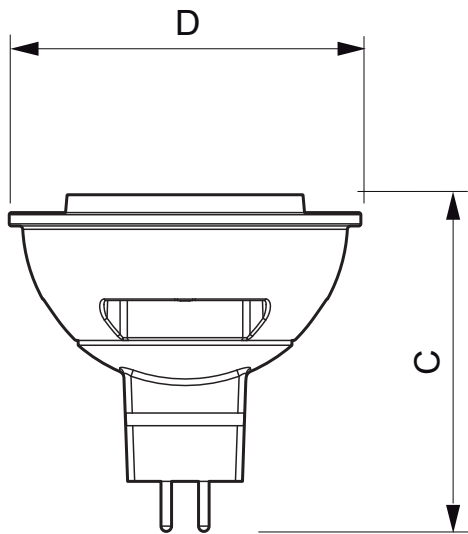
Order code	929000220802
Full product code	929000220802
Full product name	MASTER LEDspotLV 4-20W CW MR16 36D
Order product name	MAS LEDspotLV 4-20W CW MR16 36D
Pieces per pack	1
Packing configuration	10
Packs per outerbox	10
Bar code on pack - EAN1	8718291192305
Bar code on outerbox - EAN3	8718291192312
Logistic code(s) - 12NC	929000220802
Net weight per piece	0.046 kg



# PHILIPS

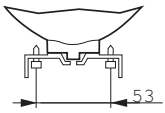
sense and simplicity

## Dimensional drawing



### 4-20W, 5.5-35W, 6.5-50W MR16

Product	C (Norm)	C1 (Max)	D (Norm)	D1 (Norm)
LED 4-20W CW MR16 36D	47.8	-	50	-



GU5.3



© 2012 Koninklijke Philips Electronics N.V.  
All rights reserved.

Specifications are subject to change without notice. Trademarks are the property of Koninklijke Philips Electronics N.V. or their respective owners.

[www.philips.com/lighting](http://www.philips.com/lighting)

2012, June 19  
data subject to change