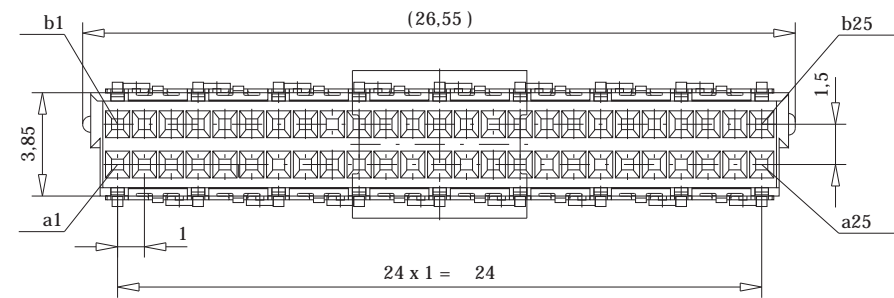
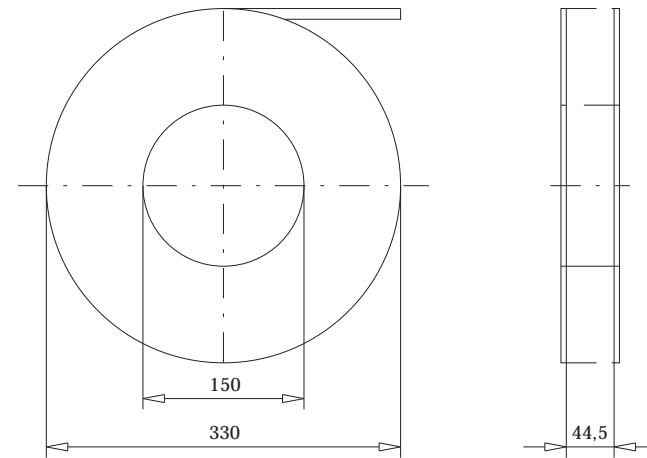
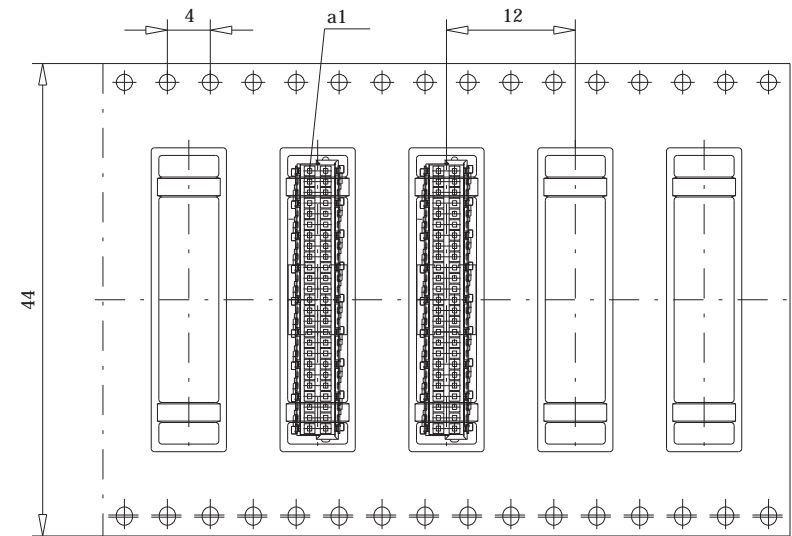


Verpackt in Gurtverpackung
Verpackungseinheit: 500 Stück

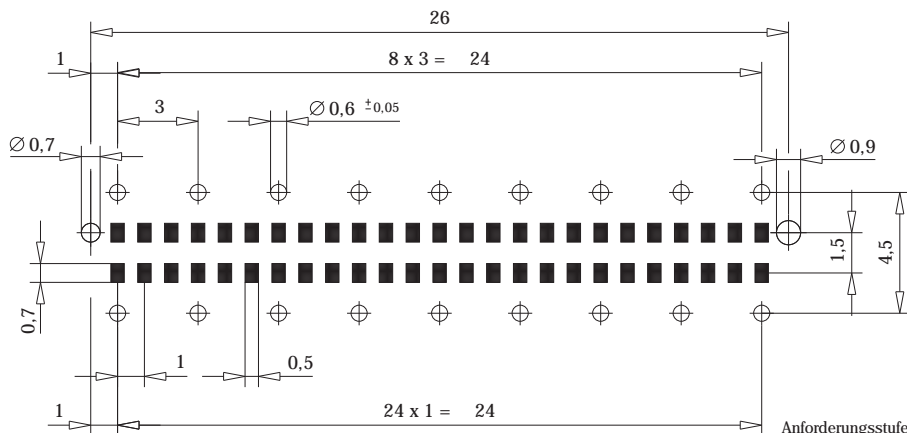
- Tape on Reel Packaging
- Packaging unit: 500 pcs



Abspulrichtung - Reel off Direction →



Leiterplatten-Layout / PCB-Layout



Anforderungsstufe 1
Performance Level 1

Kontaktbereich vergoldet
Mating Area gold plating

Anschlussbereich verzinkt 4-6 µm
Terminal Area 4-6 µm tin plating

Koplanarität der Anschlüsse \hat{u} 0.1mm
Coplanarity Area of Termination \hat{u} 0.1 mm

Information:		Tolerances	Scale 5:1
All rights reserved. Only for information. To insure that this is the latest version of this drawing, please contact one of the ERNI companies before using.		Subject to modification without prior notice. Drawing will not be updated.	Angaben zu entsprechender Ident-Nr. siehe Fertigungsunterlagen. For further information about ID number see manufacturing document
Designation		Federleiste SMD/THR 50 polig Female Con. SMD/THR 50 contact	
www.ERNI.com		144663	
d	14.11.2003	MSPEE	
Index	Date	D	

Consider protection memo from DIN 94