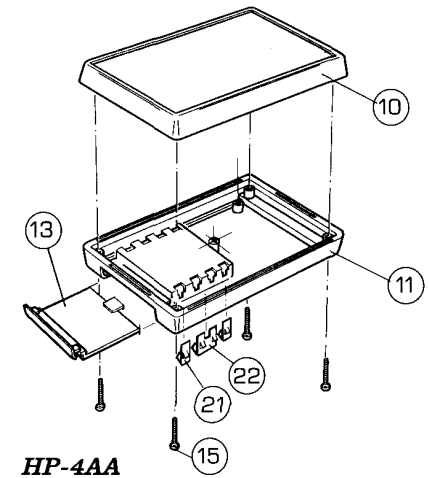
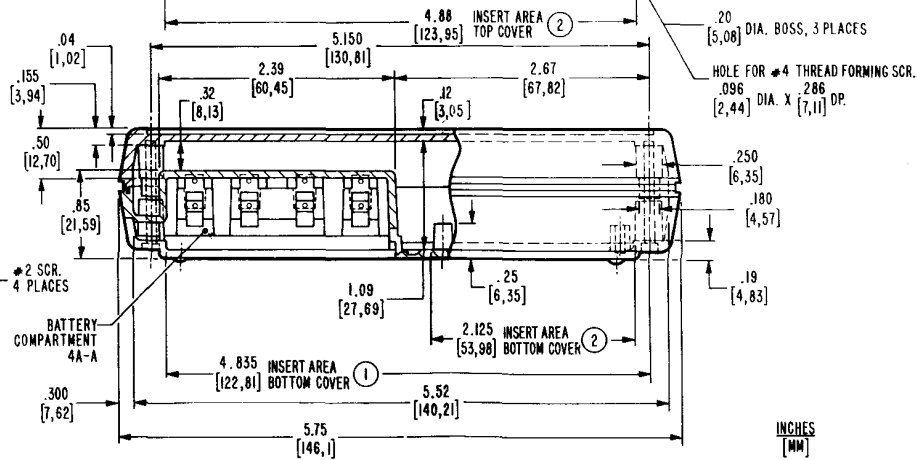
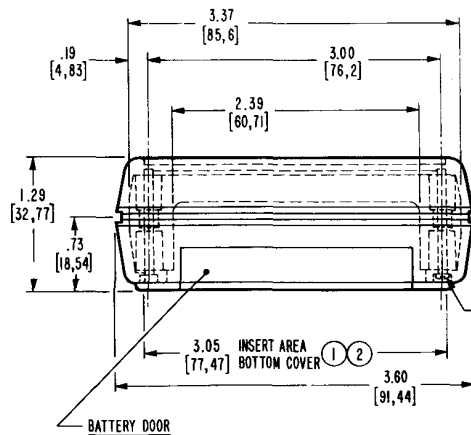
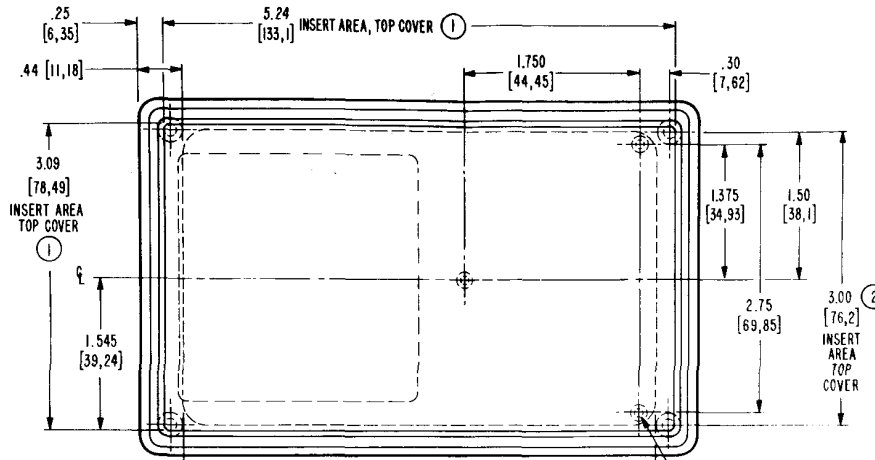


HP4A A-BC (BELT CLIP)

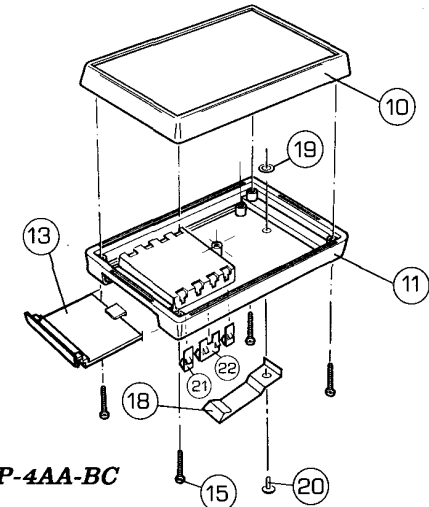
NOTE - DATUM -

FOR CUSTOM OR MACHINING MODIFICATIONS USE THE INSERT EDGES OR BOSS CENTERS.

- ① EXTERIOR INSERT AREA, FOR IN MOLD MODIFICATION.
- ② INTERIOR INSERT AREA, FOR IN MOLD MODIFICATION.



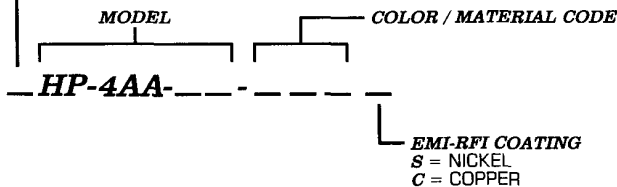
HP-4AA



HP-4AA-BC

MODEL NUMBER GENERATION

K = KIT
P = PRODUCTION UNIT



COLOR / MATERIAL CODE

| COLOR | 94HB | 94V0 |
|----------|------|------|
| BLACK | 000 | 028 |
| GREY | 001 | 024 |
| TAN | 002 | 025 |
| P.C.BONE | 039 | 060 |

| ITEM | PART NUMBER | DESCRIPTION | PROD | KIT | PROD | KIT |
|------|--------------|---------------------|--------|--------|-----------|-----------|
| | | | HP-4AA | HP-4AA | HP-4AA-BC | HP-4AA-BC |
| 22 | 67256-01 | BATTERY CLIP DOUBLE | 3 | 3 | 3 | 3 |
| 21 | 67257-01 | BATTERY CLIP SINGLE | 2 | 2 | 2 | 2 |
| 20 | 60535-01 | RIVET | - | - | 1 | 1 |
| 19 | 60534-01 | WASHER | - | - | 1 | 1 |
| 18 | 63449-01 | BELT CLIP | - | - | 1 | 1 |
| 15 | 60228-02 | SCREW, #2X.68LG | 4 | 4 | 4 | 4 |
| 13 | 60566-01-XXX | DOOR, BATTERY | 1 | 1 | 1 | 1 |
| 11 | 60603-01-XXX | BOTTOM COVER | - | - | 1 | 1 |
| 11 | 60360-01-XXX | BOTTOM COVER | 1 | 1 | - | - |
| 10 | 60247-01-XXX | TOP COVER | 1 | 1 | 1 | 1 |

