

THIS DRAWING IS UNPUBLISHED.

RELEASED FOR PUBLICATION

AUG ,2006.

© COPYRIGHT - BY TYCO ELECTRONICS CORPORATION. ALL RIGHTS RESERVED.

LOC

DIST

REVISIONS

DW

P

LTR

DESCRIPTION

DATE

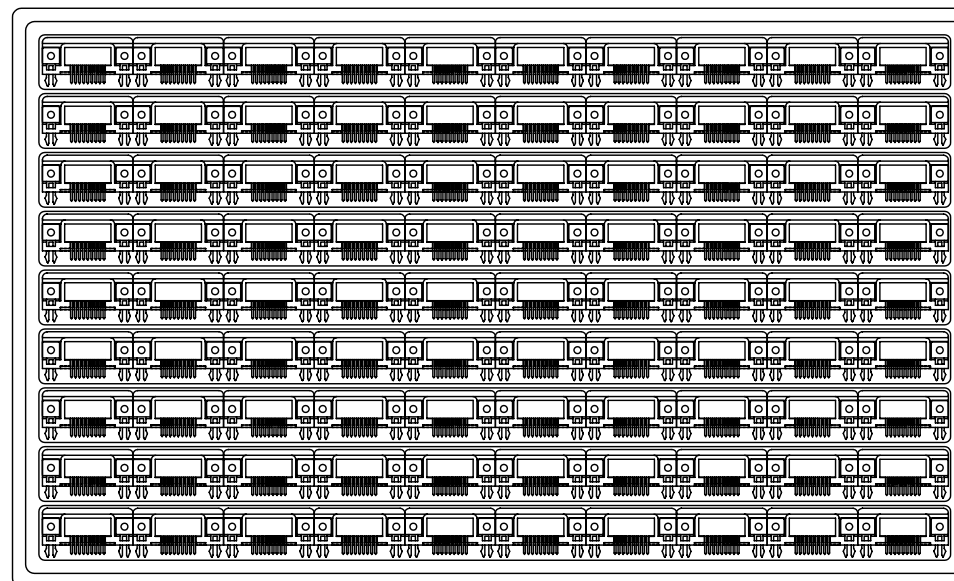
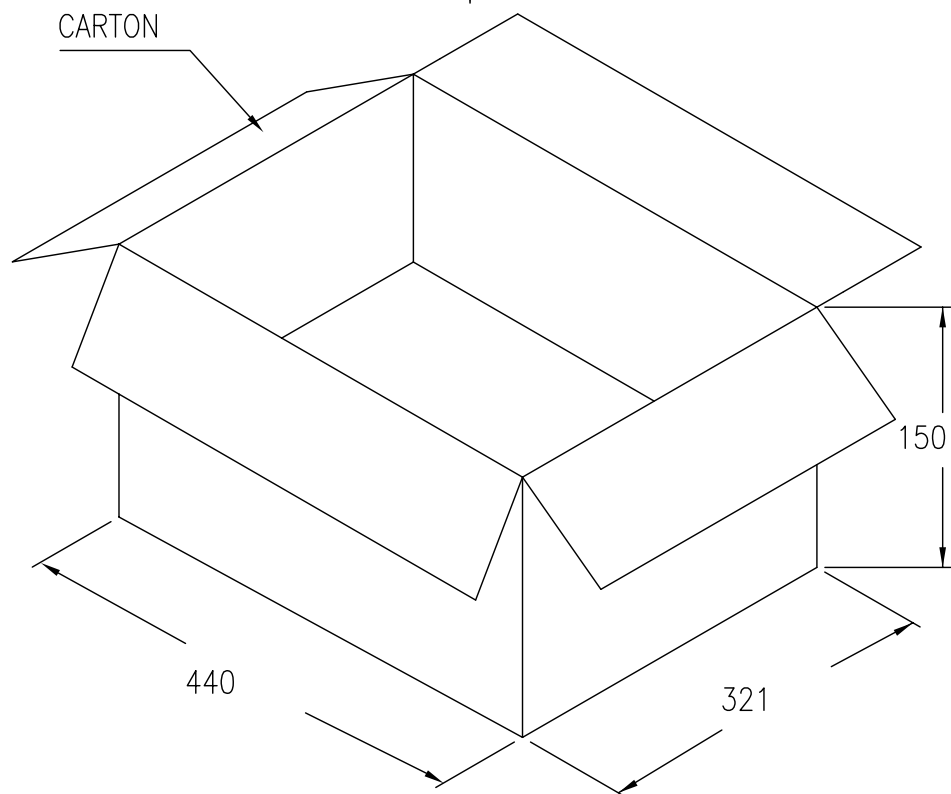
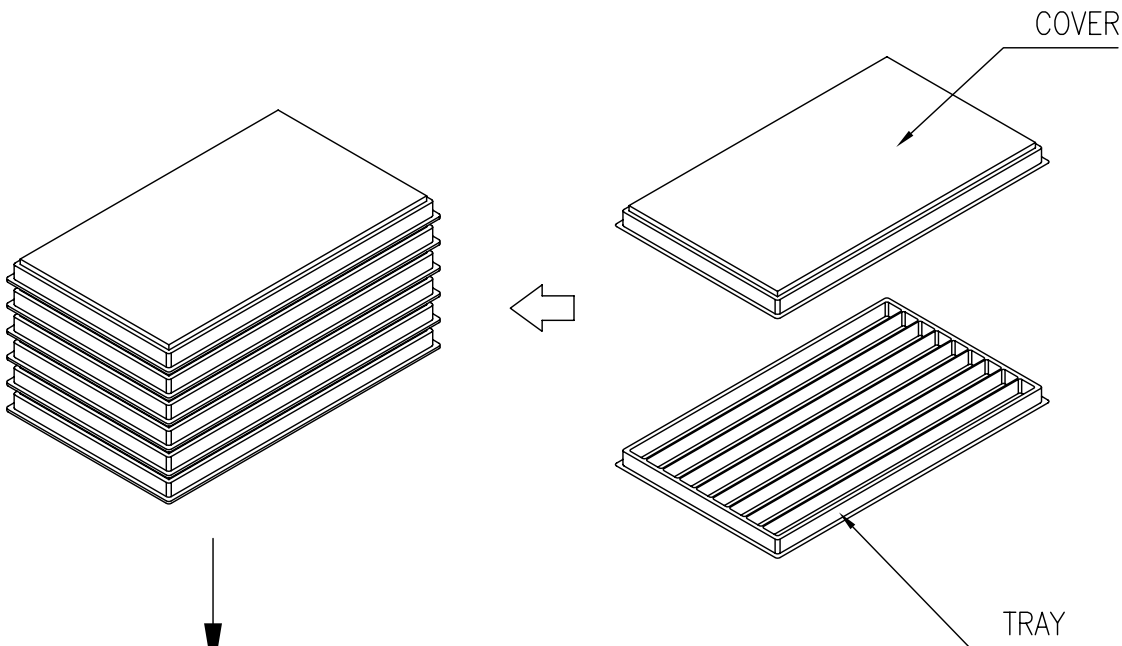
DWN

APVD

SEE SHEET 1.

NOTES:

- 1. MATERIAL:
 - 1.1 TRAY: PVC
 - 1.2 SHIPPING CARTON: CORRUGATED FIBERBOARD
- 2. DIMENSION:
 - 2.1 TRAY: L=340, W=228, H=17.4
 - 2.2 SHIPPING CARTON: L=440, W=321, H=150
- 3. QUANTITY:
 - 3.1 PRIMARY PACKING: 90 PCS/TRAY
 - 3.2 SECONDARY PACKING: 11 TRAY/CARTON (990PCS)
- 4. CARTON WEIGHT:
 - 4.1 NET WEIGHT: 6.96 KG
 - 4.2 GROSS WEIGHT: 7.96 KG



THIS DRAWING IS A CONTROLLED DOCUMENT.		DWN		Tyco Electronics Corporation Taipei, Taiwan	
DIMENSIONS: MM		TOLERANCES UNLESS OTHERWISE SPECIFIED:		NAME	
		0 PLC ± - 1 PLC ± - 2 PLC ± - 3 PLC ± - 4 PLC ± - ANGLES ± -		PLUG ASSEMBLY, 9 POSN, RIGHT ANGLE, 8.08mm[0.318in]	
MATERIAL		FINISH		SIZE CAGE CODE DRAWING NO RESTRICTED TO A3 00779 C=1734352	
				CUSTOMER DRAWING SCALE SHEET 2 of 3 REV A	

THIS DRAWING IS UNPUBLISHED.

RELEASED FOR PUBLICATION

AUG ,2006.

© COPYRIGHT BY TYCO ELECTRONICS CORPORATION. ALL RIGHTS RESERVED.

LOC

DIST

REVISIONS

DW

P

LTR

DESCRIPTION

DATE

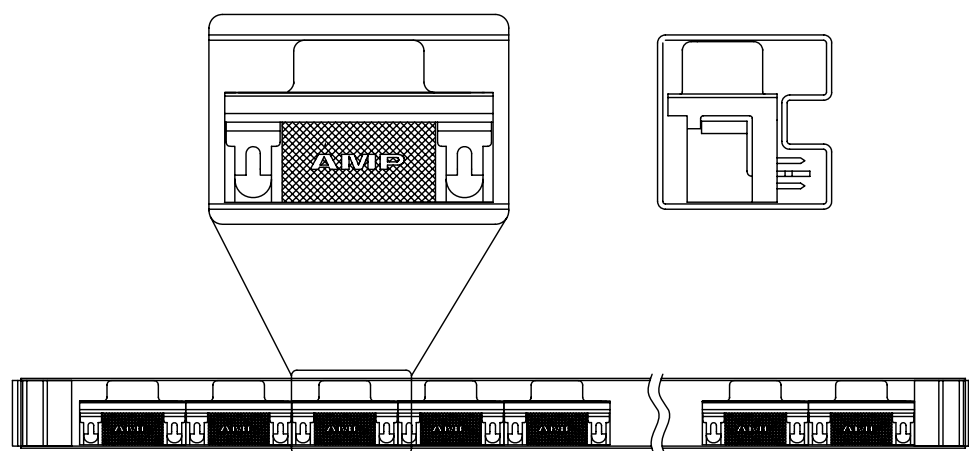
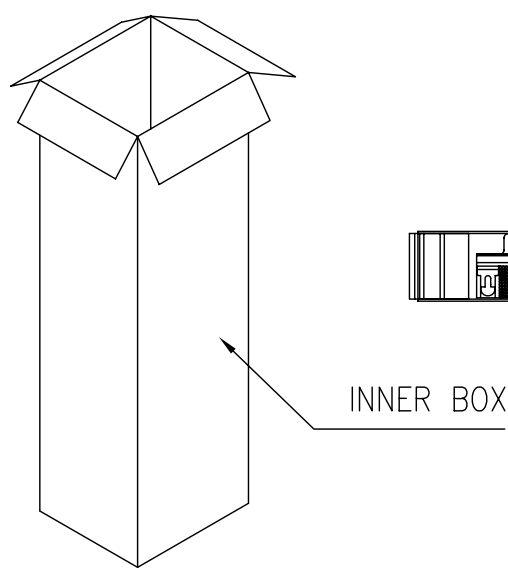
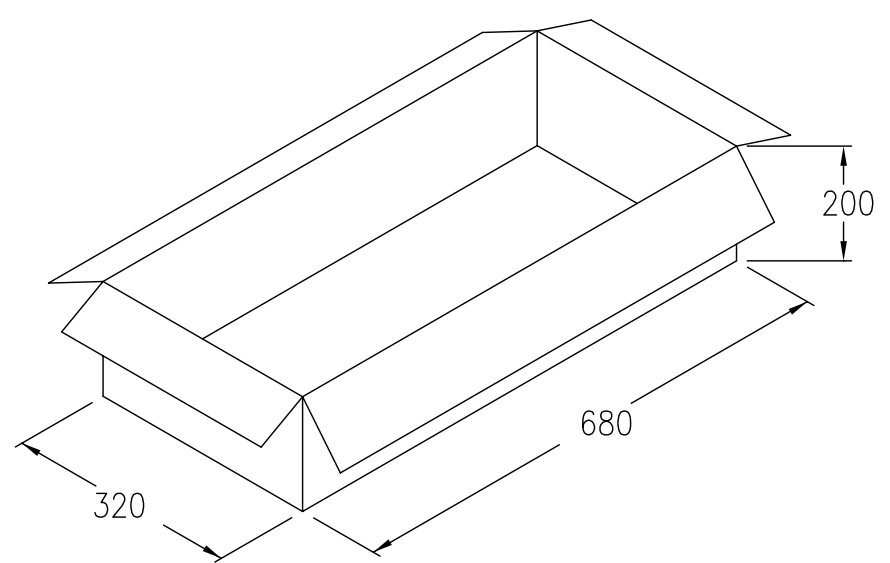
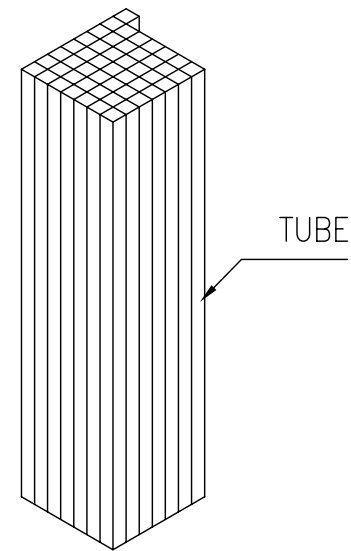
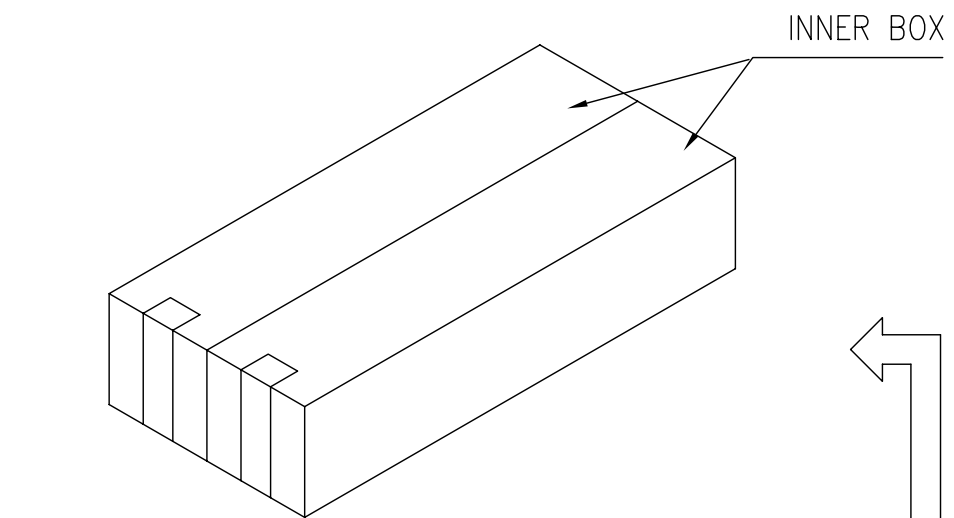
DWN

APVD

SEE SHEET 1.

NOTES:

- 1. MATERIAL:
 - 1.1 TUBE: PVC
 - 1.2 SHIPPING CARTON: CORRUGATED FIBERBOARD
- 2. DIMENSION:
 - 2.1 TUBE: L=650, W=18.8, H=18.6
 - 2.2 SHIPPING CARTON: L=680, W=320, H=200
- 3. QUANTITY:
 - 3.1 PRIMARY PACKING: 20 PCS/TUBE
 - 3.2 SECONDARY PACKING: 50 TUBE/BOX
 - 3.3 THIRD PACKING: 2 BOX/CARTON (2,000PCS)
- 4. CARTON WEIGHT:
 - 4.1 NET WEIGHT: 17.0 KG
 - 4.2 GROSS WEIGHT: 18.0 KG



THIS DRAWING IS A CONTROLLED DOCUMENT.		DWN		Tyco Electronics Corporation Taipei, Taiwan	
DIMENSIONS: MM		CHK		NAME	
TOLERANCES UNLESS OTHERWISE SPECIFIED:		APVD		PLUG ASSEMBLY, 9 POSN, RIGHT ANGLE, 8.08mm[0.318in]	
0 PLC ± -		PRODUCT SPEC		SIZE	
1 PLC ± -		APPLICATION SPEC		CAGE CODE	
2 PLC ± -		WEIGHT		DRAWING NO	
3 PLC ± -		CUSTOMER DRAWING		RESTRICTED TO	
4 PLC ± -		SCALE		SHEET	
ANGLES ± -		-		3 of 3	
MATERIAL		-		REV	
FINISH		-		A	