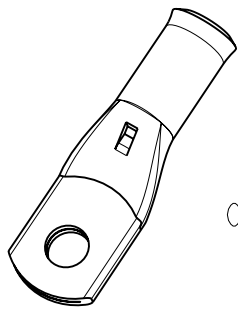
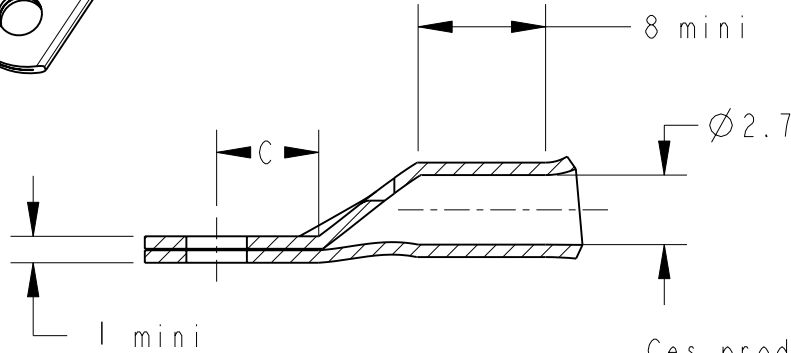


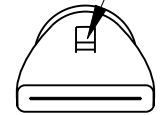
LOC	DIST	REVISIONS					
FH	00	P	LTR REV	DESCRIPTION MODIFICATIONS	DATE	DWN DESS.	APVD APP.
			C	PASSAGE SOUS PROE - A ET R 09PFG0160b	15DEC00	DL	JT
			D	MISE A JOURS / AJOUT NOTA	07DEC2009	BG	GP



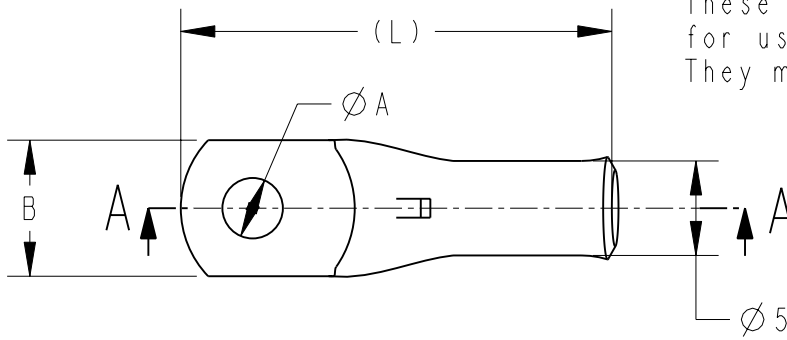
COUPE A-A



Inspection hole



Ces produits ne sont pas prévus pour une utilisation automobile. Ils répondent à la norme NFC 20-130
 These products are not intended for use in the car industry. They meet the standard NFC 20-130



(L)	C	B	ØA	DESCRIPTION	PART NUMBER
21	5	9	4,3	XCT 4-4	710977-1
24	6,5	9	5,3	XCT 4-5	710978-1
25	7	12	6,4	XCT 4-6	710979-1

- 1 - MATERIAL = TINNED COPPER
- 2 - Marking in depth: logo-section-hole-Made in France +
- 3 - CABLE SECTION = 11AWG or 4 mm²
- 4 - GROOVE E4Cu

20

RELEASED FOR PUBLICATION
 LIBRE A LA DIFFUSION

BY TYCO ELECTRONICS CORPORATION ALL INTERNATIONAL RIGHTS RESERVED.
 © COPYRIGHT 20

THIS DRAWING IS UNPUBLISHED.
 DIFFUSION RESTREINTE

DIMENSIONS: mm		DWN/DESSINE D. LEGUY	15DEC00	MATERIAL MATIERE	CUIVRE	TOLERANCES UNLESS OTHERWISE SPECIFIED TOLERANCES NON SPECIFIEES: -	FINISH FINITION	ETAME
TOLERANCES UNLESS OTHERWISE SPECIFIED: TOLERANCES NON SPECIFIEES (SUIV NB DE DECIMALES): 0 PLC/DEC: ±0 1 PLC/DEC: ±0 2 PLC/DEC: ±0 3 PLC/DEC: ±0 4 PLC/DEC: ±0 ANGLES ±-		CHK/VERIFIE L. MAINIER	-	Tyco Electronics		SIMEL PRODUCT		
		APVD/APPROUVE G. PORCHERAY	-					
		PRODUCT SPEC SPEC. PRODUIT	-	NAME TITRE	XCT 4-..		RESTRICTED TO RESERVE A	
		APPLICATION SPEC SPEC. APPLICATION	-	SIZE FORMAT	CAGE CODE	DRAWING NO No PLAN		
		WEIGHT MASSE APPROX.	- g	A4	00779	©=710977		
CUSTOMER DRAWING		/PLAN CLIENT		UNIQUEMENT POUR REFERENCE	SCALE ECHELLE - / -	SHEET FEUILLE 1	OF DE 1	REV D