

Product Datasheet

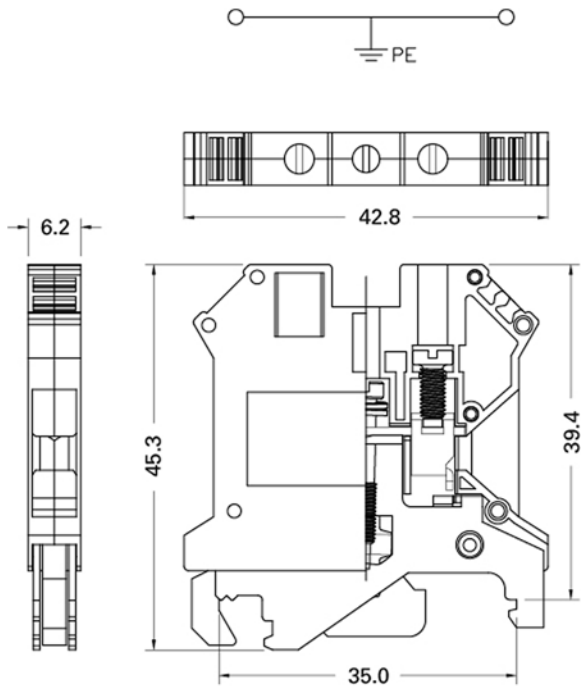
# Screw Ground mini Terminal Blocks 4sq.mm

Screw Clamp Ground mini Terminal Blocks, 600V, 26-10 AWG, 0.2-4 sq.mm

878-7575





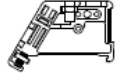


Dimensions in mm





**Product Specifications:**

Specifications	4mm <sup>2</sup>
<b>Technical Date</b>	<b>Rated voltage / Rated current / Wire size</b>
UL	600V / AWG 26-10
CSA	600V / AWG 26-10
IEC	800V / 0.2-4mm <sup>2</sup>
Insulating impulse voltage withstand/pollution degree	8KV / 3
Terminal Screw ( M3)	Torque ( in -lbs) 5-6.2
Mounting Screw ( M3)	Torque ( in -lbs) 4.4-5.6
Insulation stripping length ( mm)	8~10 mm
Net weight per piece	18.8 g
Material / Available Color	 Green / Yellow
<b>Rail Dimensions</b>	<b>T / W / H ( mm)</b>
For TS35x7.5 	6.2 x 42.5 x 47.5
For TS35x15 	6.2 x 42.5 x 55
<b>Accessories</b>	<b>Cat. No.</b>
End Bracket 	8787553
	 8787556