

Commercial LED Lighting - Zen Dimmable Recessed Down Lights

AXG
Lighting

Zen range of LED Downlights offer a round recessed solution with fixed 90° or 100° beam angle in 11W, 16W, 22W and 35W power options. These LED downlights are a 4", 5", 7" or 8" light source with highly efficient LED chip and reflector system which offer bright lumen output and low glare. The smaller sized units are fitted with insulation spacer frames. The shallow larger units would be ideally suited to office, corridor or communal space environments.



The kits comprise of LED lamp, dimmable LED driver & DC Cabling; the DC cabling is fitted with fireproof cable sleeving for extra safety and utilises quick connect for easy removal of the LED driver. Each LED down light is pre fitted with a suitable dimmable driver compatible with leading edge and trailing edge dimmers.



This Zen range is mains dimmable.



Optional emergency pack, EP3, is also available for use with the Zen Series, if you would like to make the downlights operate as emergency lighting as well.



Product Features

- ★ Bright lumen output, low glare
- ★ High efficiency LED chip and reflector system
- ★ Quick connect external dimmable driver included compatible with leading edge & trailing edge dimmer
- ★ Energy savings of 85% & low maintenance costs
- ★ Anodised aluminium heat sink
- ★ Long life - 50k hours
- ★ 90° & 100° beam angles
- ★ Insulation spacer frame ~ Low heat generation



0845 533 0495

www.powerled.uk.com

Power  LED®

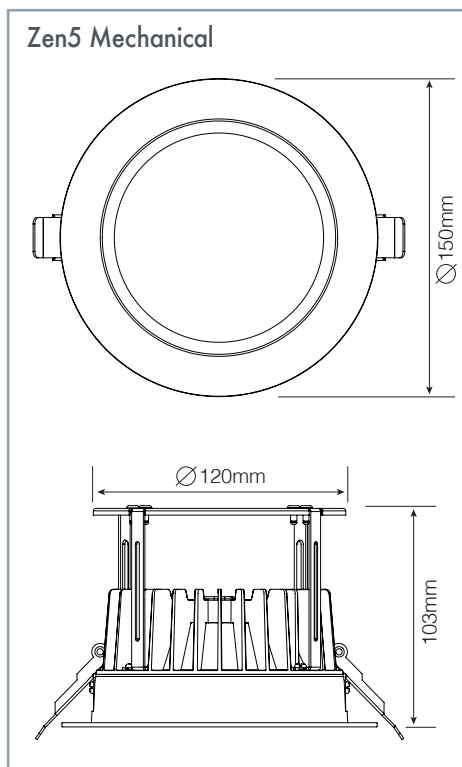
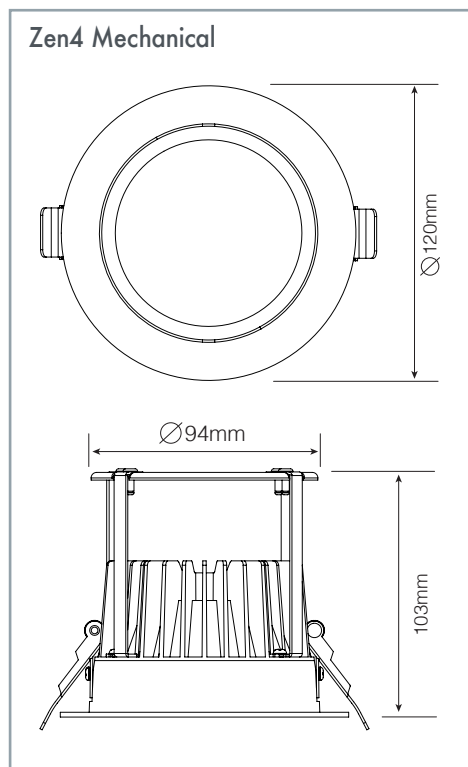
Zen4

Part Code	ZEN4 11W3K-W	ZEN4 11W4K-W	ZEN4 11W3K-SN	ZEN4 11W4K-SN
Fitting Colour	White	White	Satin Nickel	Satin Nickel
Driver AC Input	220 ~ 240V	220 ~ 240V	220 ~ 240V	220 ~ 240V
Lumens	850lm	900lm	850lm	900lm
Input Voltage	31Vdc	31Vdc	31Vdc	31Vdc
Input Current	350mA	350mA	350mA	350mA
Power	11W	11W	11W	11W
CRI	80	80	80	80
Colour	3000K	4000K	3000K	4000K
Lumen Field Angle	90°	90°	90°	90°
Working Temperature	-30°C ~ +40°C	-30°C ~ +40°C	-30°C ~ +40°C	-30°C ~ +40°C
Dimensions	Ø 120 x 103mm	Ø 120 x 103mm	Ø 120 x 103mm	Ø 120 x 103mm



Zen5

Part Code	ZEN5 16W3K-W	ZEN5 16W4K-W	ZEN5 16W3K-SN	ZEN5 16W4K-SN
Fitting Colour	White	White	Satin Nickel	Satin Nickel
Driver AC Input	220 ~ 240V	220 ~ 240V	220 ~ 240V	220 ~ 240V
Lumens	1200lm	1350lm	1200lm	1350lm
Input Voltage	46Vdc	46Vdc	46Vdc	46Vdc
Input Current	350mA	350mA	350mA	350mA
Power	16W	16W	16W	16W
CRI	80	80	80	80
Colour	3000K	4000K	3000K	4000K
Lumen Field Angle	100°	100°	100°	100°
Working Temperature	-20°C ~ +40°C	-20°C ~ +40°C	-20°C ~ +40°C	-20°C ~ +40°C
Dimensions	Ø 150 x 103mm	Ø 150 x 103mm	Ø 150 x 103mm	Ø 150 x 103mm



Zen7

Part Code	ZEN7 22W3K-W	ZEN7 22W4K-W	ZEN7 22W3K-SN	ZEN7 22W4K-SN
Fitting Colour	White	White	Satin Nickel	Satin Nickel
Driver AC Input	220 ~ 240V	220 ~ 240V	220 ~ 240V	220 ~ 240V
Lumens	1900lm	2000lm	1900lm	2000lm
Input Voltage	32Vdc	32Vdc	32Vdc	32Vdc
Input Current	700mA	700mA	700mA	700mA
Power	22W	22W	22W	22W
CRI	80	80	80	80
Colour	3000K	4000K	3000K	4000K
Lumen Field Angle	100°	100°	100°	100°
Working Temperature	-30°C ~ +40°C	-30°C ~ +40°C	-30°C ~ +40°C	-30°C ~ +40°C
Dimensions	∅ 195 x 70mm	∅ 195 x 70mm	∅ 195 x 70mm	∅ 195 x 70mm

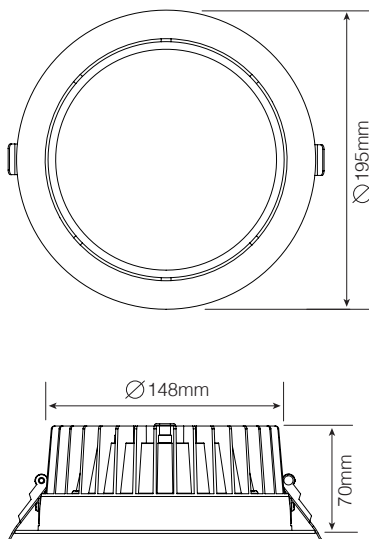


Zen8

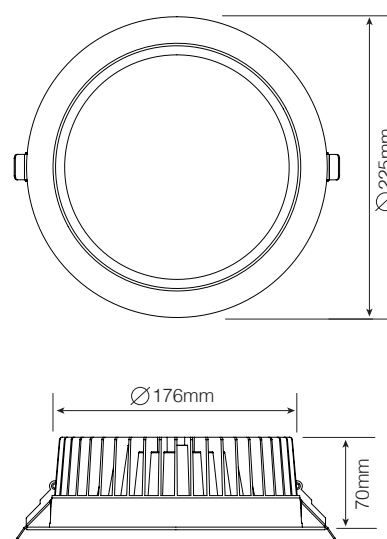
Part Code	ZEN8 35W3K-W	ZEN8 35W4K-W	ZEN8 35W3K-SN	ZEN8 35W4K-SN
Fitting Colour	White	White	Satin Nickel	Satin Nickel
Driver AC Input	220 ~ 240V	220 ~ 240V	220 ~ 240V	220 ~ 240V
Lumens	2900lm	3000lm	2900lm	3000lm
Input Voltage	50Vdc	50Vdc	50Vdc	50Vdc
Input Current	700mA	700mA	700mA	700mA
Power	35W	35W	35W	35W
CRI	80	80	80	80
Colour	3000K	4000K	3000K	4000K
Lumen Field Angle	100°	100°	100°	100°
Working Temperature	-30°C ~ +40°C	-30°C ~ +40°C	-30°C ~ +40°C	-30°C ~ +40°C
Dimensions	∅ 225 x 70mm	∅ 225 x 70mm	∅ 225 x 70mm	∅ 225 x 70mm



Zen7 Mechanical

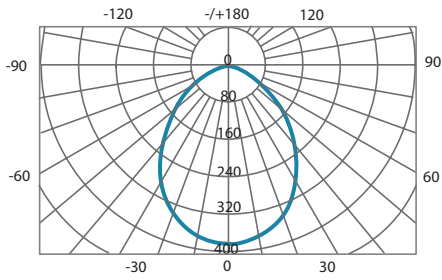


Zen8 Mechanical



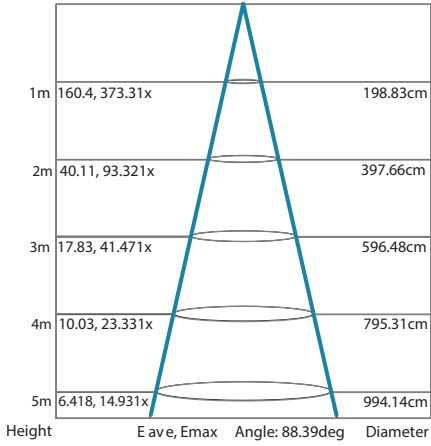
Zen Luminance Distribution

Zen4 Luminance Distribution

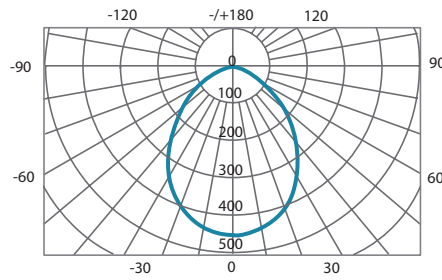


Average Beam Angle (50%): 90.1 Deg

Flux out: 504.1 lm

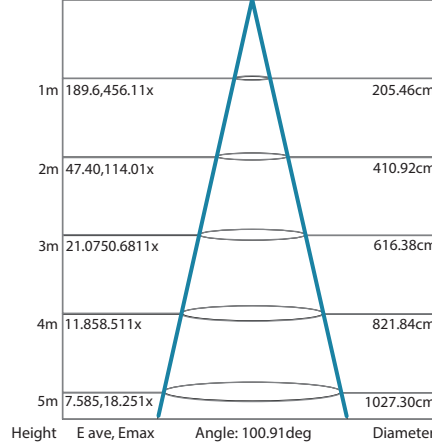


Zen5 Luminance Distribution

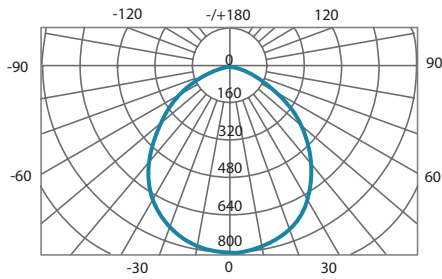


Average Beam Angle (50%): 90.1 Deg

Flux out: 638.8 lm

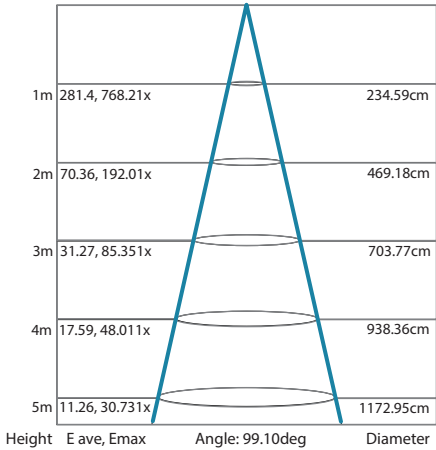


Zen7 Luminance Distribution

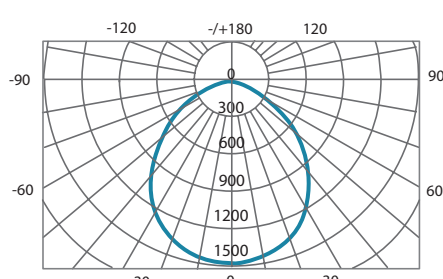


Average Beam Angle (50%): 99.3 Deg

Flux out: 1256lm



Zen8 Luminance Distribution



Average Beam Angle (50%): 100.9 Deg

Flux out: 2017lm

