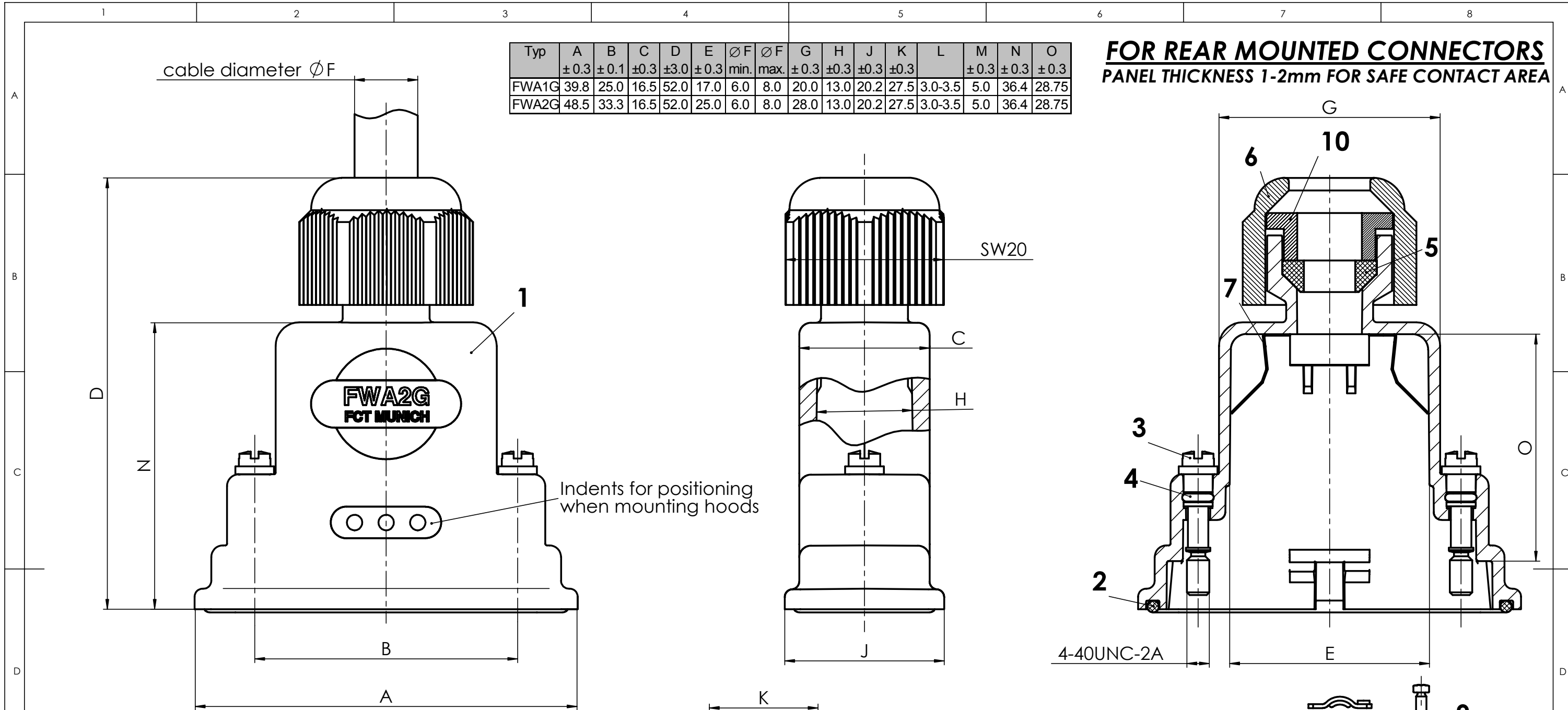


COMMENT: ALL RIGHTS ARE RESERVED BY US FOR THIS DRAWING. WITHOUT OUR PRIOR CONSENT, IT MAY NEITHER BE DUPLICATED NOR MADE AVAILABLE TO A THIRD PARTY, AND IT ALSO MAY NOT BE IMPROPERLY USED BY THE RECEIVER, OR A THIRD PARTY.

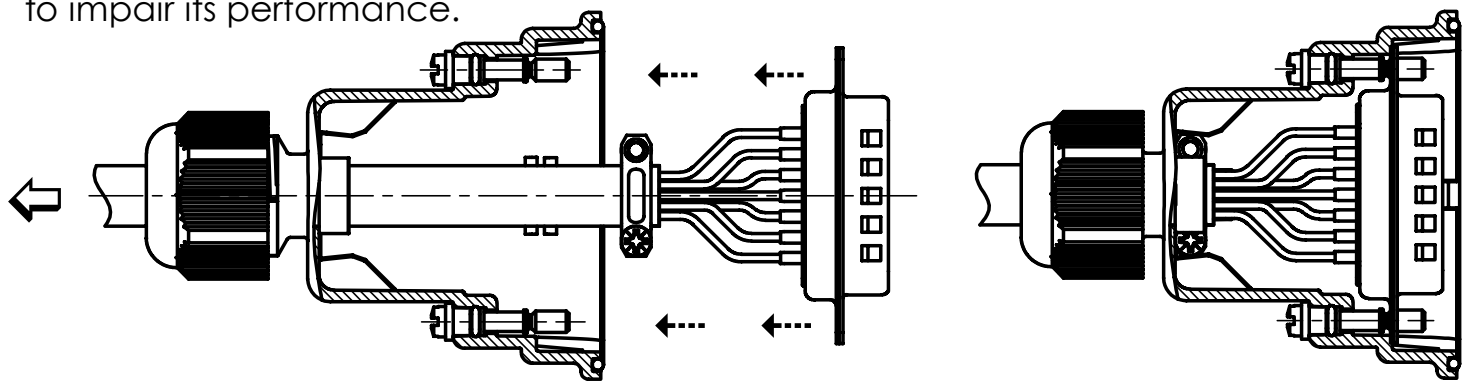
Typ	A	B	C	D	E	∅F min.	∅F max.	G	H	J	K	L	M	N	O
FWA1G	±0.3	±0.1	±0.3	±3.0	±0.3	6.0	8.0	±0.3	±0.3	±0.3	±0.3	3.0-3.5	±0.3	±0.3	±0.3
FWA2G	48.5	33.3	16.5	52.0	25.0	6.0	8.0	28.0	13.0	20.2	27.5	3.0-3.5	5.0	36.4	28.75

**FOR REAR MOUNTED CONNECTORS**  
**PANEL THICKNESS 1-2mm FOR SAFE CONTACT AREA**



**Mounting instructions**

Insert cable into hood before stripping, cable clamp assembling and connector mounting. The peeled back cable braiding must not extend over the cable clamp, in order not to damage the gasket or to impair its performance.



Pull back cable until cable clamp snaps into shielding plate. Snap connector into hood.

Parts 8 and 9 not mounted!

No.	St.	Part	Type Description/Material	Surface plating/Colour/Class
10	1	Washer	Aluminium	nickel plated
9	2	Cable clamp screw	Steel	zinc plated
8	2	Cable clamp	Steel	zinc plated
7	1	Shielding plate	Bz4	tin plated
6	1	Nut	ABS	black
5	1	Rubber gasket	Nitril	black
4	2	O-Ring seal	Silicone	red
3	2	Slotted head screw	Brass	nickel plated
2	1	O-Ring seal	Silicone	red
1	1	Hood	ABS	black

1	DATE	CH.-NO.	Measurement without tolerance occ. to ISO 2768-m	SCALE 2:1	TITLE Plastic hood waterproof
REV.	DATE	CH.-NO.	DATE 10-09-2003	NAME cpasch	DWG.NO. FWA1G-2G
			CHECKED 10-09-2003	okappla	REV. 1
			FCT electronic gmbh München		PAGES 1
			ORIGINAL: DIN A3-DRAWING AS A FILE	REPLACEMENT FOR:	