

**Technical Data**

Output	potential-free
Output signal	4...20mA or 20...4mA
Output current max.	
Load resistance	<500Ohm
System resolution	<0,2μA
Repeatability	<6μm
Hysteresis	<4μm
max. non-linearity	+/-100μm up to L=500mm; 0,02% FS at L>500mm
Update time	1kHz
Housing material	Anodized aluminium
Operating voltage	24VDC +-20%
max. ripple	<5mV
Current draw	<150mA
Polarity reversal protected	yes
Overvoltage protection	Transzorb protection diodes
Temperature coefficient of overall system	$[150\mu V/^{\circ}C + (5\text{ppm}/^{\circ}C \times P \times U/L)] \times (T_2 - T_1)$
Operating temperature	-40...+85°C
Storage temperature	-40...+100°C
Static electricity (ESD)	IEC 1000-4-2 Severity Level 3
Electromagnetic fields (RFI)	IEC 1000-4-3 Severity Level 3
Fast transients (BURST)	IEC 1000-4-4 Severity Level 4
Line-carried noise	IEC 1000-4-6 Severity Level 3
RF emission	EN 55011 Group 1, Class A
Shock loading	100g / 1ms per IEC68-2-27

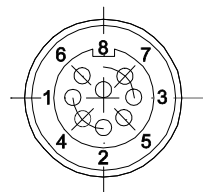
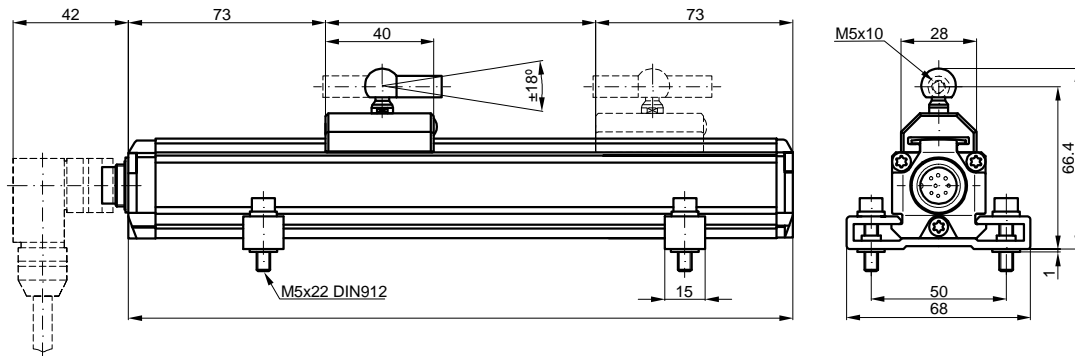


Dielectric strength  
 Traverse velocity of magnet  
 Enclosure rating per IEC 529

12g, 10...2000Hz per IEC68-2-6  
 500V (GND to housing)  
 any  
 IP 67  
 (when BKS-S32/33 is installed)  
 mounting clamps with isolating bushings and screws are included.

Accessories

magnet and connector  
 (please order separately)



Connectors	Pin	Color	BTL5-E10...	BTL5-E17...
Output signals	1	YE	4...20 mA	20...4 mA
	2	GY	0V Output	0V Output
	3	PK	10...0V	10...0V
	5	GN	0...10V	0...10V
	Supply voltage	6	BU	GND
7		BN	+24V DC	+24V DC
8		WH	(GND)	(GND)

Gebhard Balluff GmbH & Co.  
 Postfach 1160  
 73761 Neuhausen  
 Telefon (07158) 173-0 Telefax(07158) 5010

Datenblatt by CD-ROM - 06/98

**BALLUFF**